

SLING-CHOKER

M A N U F A C T U R I N G



2022 PROdrill PRODUCTS CATALOGUE

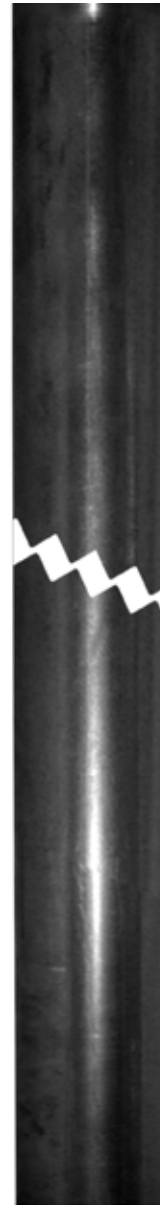
ONE-STOP-SHOP FOR DIAMOND DRILLING AND EXPLORATION PRODUCTS

TABLE OF CONTENTS

DOWN THE HOLE: DRILL RODS						2
	DRILL RODS	FLUSH JOINT CASING	HEAT TREATED DRILL RODS	INNER & OUTER TUBES		
DOWN THE HOLE: SURFACE						8
DRILL BITS	CASING SHOES & BITS	REAMING SHELLS & EXTENSIONS	CORE BARREL ASSEMBLIES	OVERSHOT ASSEMBLIES	ADAPTERS & COUPLINGS	
DOWN THE HOLE: RETRIEVAL						50
	TAP & ADAPTER	BOWEN SPEAR	CASING CUTTER	REAMER ASSEMBLY	PRESSURE RELIEF VALVE	
WIRELINE COMPONENTS						59
	CHUCK ASSEMBLY	CLAMP ASSEMBLY	JAW SETS	HOISTING PLUGS	WATER SWIVELS	
WATER LINE						74
PUMPS & TRANSMISSION	GAUGES & THERMOMETERS	WATER LINE HEATERS	WATER LINE HOSE	COUPLINGS, ADAPTERS, & VALVES	CAMLOCK FITTINGS	
DRILLING POLYMERS						90
	CIMENT	BENTONITE	DRILLING FLUIDS	LUBRICANTS	SEALANTS	
TOOLS & SUPPLIES						98
CABLE CLEVIS & WIRELINE	WIRE TOOLS, PIPE WRENCHES, & FIRE SUPPLIES	HYDRAULIC HOSES & SLEEVES	PORTABLE HEATERS	FUEL PUMP	LED LIGHTING	
SAFETY & CLOTHING						112
FIRST AID	GLOVES	GLASSES	FALL PROTECTION	BOOTS	SPILL KITS	
GEOTECHNICAL, ENVIRONMENTAL, & GROUNDWATER						122
WELL SAND	FLUSH MOUNTS & MONUMENTS	EMPTY DRUMS	RISERS & SCREENS	POINTS & CAPS	J PLUG	

DRILL RODS					
DESCRIPTION	LENGTH	PART NO	WEIGHT		
			LB	KG	
AW	1'	RAW1001	5.04	2.3	
AW	2'	RAW1002	8.76	4.0	
AW	3'	RAW1003	11.95	5.4	
AW	5'	RAW1005	19.92	9.1	
AW	10'	RAW1010	38.92	17.7	
BW	1'	RBW1001	8.37	3.8	
BW	2'	RBW1002	14.15	6.4	
BW	3'	RBW1003	18.99	8.6	
BW	5'	RBW1005	31.65	14.4	
BW	10'	RBW1010	63.15	28.7	
NW	1'	RNW1001	9.20	4.2	
NW	2'	RNW1002	18.73	8.5	
NW	3'	RNW1003	18.44	8.4	
NW	5'	RNW1005	30.73	14.0	
NW	10'	RNW1010	56.50	25.7	
HW	1'	RHW1001	14.38	6.5	
HW	2'	RHW1002	31.65	14.4	
HW	3'	RHW1003	42.50	9.6	
HW	5'	RHW1005	65.15	16.0	
HW	10'	RHW1010	122.8	0 55.8	

DRILL ROD COUPLINGS	
DESCRIPTION	PART NO
AW	RAW1000
BW	RBW1000
NW	RNW1000
HW	RHW1000



Drill rod complete with coupling



Drill rod coupling



Casing

FLUSH JOINT CASING				
DESCRIPTION	LENGTH	PART NO	WEIGHT	
			LB	KG
BW	2'	CSB1002	14.00	6.4
BW	5'	CSB1005	35.00	15.9
BW	10'	CSB1010	70.00	31.8
NW	2'	CSN1002	17.00	7.7
NW	5'	CSN1005	46.50	19.3
NW	10'	CSN1010	86.00	39.10
HW	2'	CSH1002	21.50	9.75
HW	5'	CSH1005	58.00	26.40
HW	10'	CSH1010	116.5	0 53.00
HWT	2	CSHWT1202	21.50	9.75
HWT	5'	CSHWT1205	58.00	26.40
HWT	10	CSHWT1210	116.5	0 53.00
PW	10'	CSP1002	28.50	13.00
PW	5'	CSP1005	70.00	31.80
PW	10'	CSPW1010	144.0	0 65.50
PWT	2'	CSPWT1202	28.50	13.00
PWT	5'	CSPWT1205	70.00	31.80
PWT	10'	CSPWT1210	144.0	0 65.50

FLUSH JOINT CASING				
DESCRIPTION	LENGTH	PART NO	WEIGHT	
			LB	KG
METRIC				
BW	0.60 m	CSB1502	14.00	6.40
BW	1.50 m	CSB1505	35.00	15.90
BW	3.00 m	CSB1510	70.00	31.80
NW	0.60 m	CSN1502	17.00	7.70
NW	1.50 m	CSN1505	42.50	19.30
NW	3.00 m	CSN1510	86.00	39.10
HW	0.60 m	CSH1702	21.50	9.75
HW	1.50 m	CSH1705	57.75	26.30
HW	3.00 m	CSH1710	115.5	0 52.50
HWT	0.60 m	CSHWT1702	21.50	9.75
HWT	1.50 m	CSHWT1705	57.75	26.30
HWT	3.00 m	CSHWT1710	115.5	0 52.50
PW	0.60 m	CSP1502	27.50	12.50
PW	1.5 m	CSP1505	69.00	31.40
PW	3.00m	CSPW1510	143.0	0 65.00
PWT	0.60m	CSPWT1702	28.50	13.00
PWT	1.5m	CSPWT1705	69.00	31.40
PWT	3.0m	CSPWT1710	143.0	0 65.00

HEAT TREATED WIRELINE DRILL RODS				
DESCRIPTION	LENGTH	PART NO	WEIGHT	
			LB	KG
B	2'	RB3102	8.00	3.6
B	5'	RB3105	20.00	9.1
B	10'	RB3110	40.00	18.2
N	2'	RN3102	10.50	4.8
N	5'	RN3105	25.00	11.4
N	10'	RN3110	51.00	23.2
H	2'	RH3102	15.50	7.0
H	5'	RH3105	38.50	17.5
H	10'	RH3110	77.00	35.0
HWT	2'	RHWT7202	23.00	10.5
HWT	5'	RHWT7205	58.00	26.4
HWT	10'	RHWT7210	116.5	0.53

DESCRIPTION	LENGTH	PART NO	WEIGHT	
			LB	KG
METRIC				
B	0.60 m	RB3602	8.00	3.6
B	1.50 m	RB3605	20.00	9.1
B	3.00 m	RB3610	40.00	18.2
N	0.60 m	RN3602	10.50	4.8
N	1.50 m	RN3605	25.00	11.4
N	3.00 m	RN3610	51.00	23.2
H	0.60 m	RH3602	15.20	6.9
H	1.50 m	RH3605	37.80	17.2
H	3.00 m	RH3610	76.00	34.5
HWT	0.60 m	RHWT7702	15.20	6.9
HWT	1.50 m	RHWT7705	57.75	26.3
HWT	3.00 m	RHWT7710	115.5	0.52.4

DESCRIPTION	LENGTH	PART NO	WEIGHT	
			LB	KG
NM	2'	RNM3302	10.50	4.8
NM	5'	RNM3305	25.00	11.4
NM	10'	RNM3310	51.00	23.2
HM	2'	RHM3302	15.50	7.0
HM	5'	RHM3305	38.50	17.5
HM	10'	RHM3310	77.00	35.0

DESCRIPTION	LENGTH	PART NO	WEIGHT	
			LB	KG
METRIC				
NM	0.60 m	RNM3802	10.50	4.8
NM	1.50 m	RNM3805	25.00	11.4
NM	3.00 m	RNM3810	51.00	23.2
HM	0.60 m	RHM3802	15.20	7.0
HM	1.50 m	RHM3805	37.80	17.2
HM	3.00 m	RHM3810	76.00	34.5



Wireline drill rod



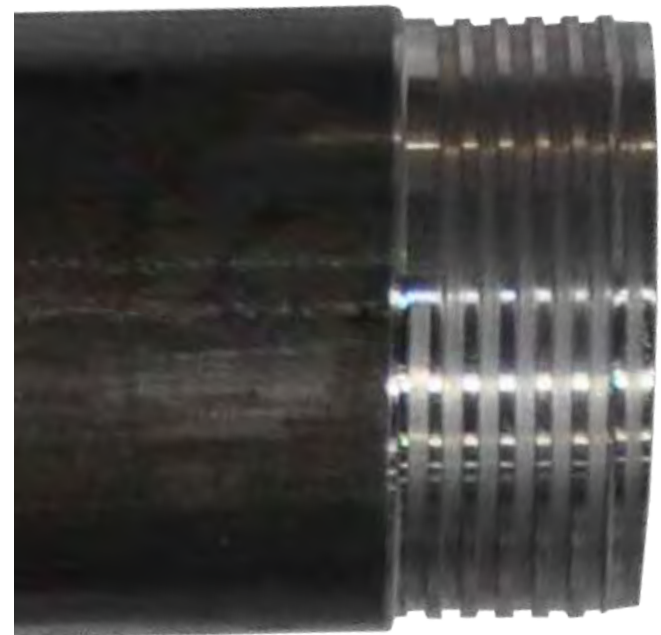
HEAT TREATED WIRELINE DRILL RODS				
DESCRIPTION	LENGTH	PART NO	WEIGHT	
			LB	KG
BT	2'	RBT5402	8.00	3.6
BT	5'	RBT5405	20.00	9.1
BT	10'	RBT5410	40.00	18.2
NT	2'	RNT5402	10.50	4.8
NT	5'	RNT5405	25.00	11.4
NT	10'	RNT5410	51.00	23.2
HT	2'	RHT5402	15.50	7.0
HT	5'	RHT5405	38.50	17.5
HT	10'	RHT5410	77.00	35.0

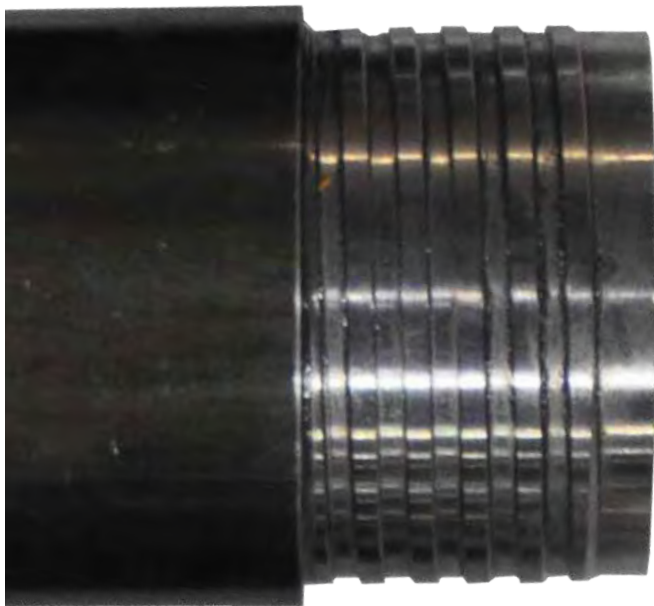
DESCRIPTION	LENGTH	PART NO	WEIGHT	
			LB	KG
METRIC				
BT	0.60 m	RBT5902	8.00	3.6
BT	1.50 m	RBT5905	20.00	9.1
BT	3.00 m	RBT5910	40.00	18.2
NT	0.60 m	RNT5902	10.50	4.8
NT	1.50 m	RNT5905	25.00	11.4
NT	3.00 m	RNT5910	51.00	23.2
HT	0.60 m	RHT5902	15.20	6.9
HT	1.50 m	RHT5905	37.80	17.2
HT	3.00 m	RHT5910	76.00	34.5

DESCRIPTION	LENGTH	PART NO	WEIGHT	
			LB	KG
BTW	2'	RBTW6102	7.50	3.4
BTW	5'	RBTW6105	17.50	8.0
BTW	10'	RBTW6110	34.50	15.7
NTW	2'	RNTW6102	10.00	4.5
NTW	5'	RNTW6105	25.00	11.4
NTW	10'	RNTW6110	50.00	22.7
HTW	2'	RHTW6102	13.56	6.16
HTW	5'	RHTW6105	33.90	15.4
HTW	10'	RHTW6110	67.80	30.8

DESCRIPTION	LENGTH	PART NO	WEIGHT	
			LB	KG
METRIC				
BTW	0.60 m	RBTW6602	6.80	3.1
BTW	1.50 m	RBTW6605	17.00	7.95
BTW	3.00 m	RBTW6610	34.00	15.5
NTW	0.60 m	RNTW6602	9.80	4.5
NTW	1.50 m	RNTW6605	24.50	11.2
NTW	3.00 m	RNTW6610	49.05	22.3
HTW	0.60 m	RHTW6602	13.53	6.14
HTW	1.50 m	RHTW6605	33.30	15.2
HTW	3.00 m	RHTW6610	66.70	30.3

INNER-TUBES			
DESCRIPTION	LENGTH	CHROME OR STD	PART NO
B	5'	Std	ITB2125
B	10'	Std	ITB2130
B	5'	Chrome	ITB2175
B	10'	Chrome	ITB2180
BTW	5'	Std	ITBTW2325
BTW	10'	Std	ITBTW2330
BTW	5'	Chrome	ITBTW2375
BTW	10'	Chrome	ITBTW2380
N	5'	Std	ITN2125
N	10'	Std	ITN2130
N	5'	Chrome	ITN2175
N	10'	Chrome	ITN2180
N-2	5'	Std	ITN2725
N-2	10'	Std	ITN2730
N-2	5'	Chrome	ITN2775
N-2	10'	Chrome	ITN2780
N-2	10'	Std Extenda	ITN2781
N-2	10'	Chrome	ITN2781CP
NTW	5'	Std	ITNTW2325
NTW	10'	Std	ITNTW2330
NTW	5'	Chrome	ITNTW2375
NTW	10'	Chrome	ITNTW2380
H	5'	Std	ITH2125
H	10'	Std	ITH2130
H	5'	Chrome	ITH2175
H	10'	Chrome	ITH2180
HTW	5'	Std	ITHTW2325
HTW	10'	Std	ITHTW2330
HTW	10'	Chrome	ITHTW2380





OUTER-TUBES			
DESCRIPTION	LENGTH	CHROME OR STD	PART NO
B	5'	Std	OTB2145
B	10'	Std	OTB2150
B	5'	Chrome	OTB2185
B	10'	Chrome	OTB2190
BTW	5'	Std	OTBTW2345
BTW	10'	Std	OTBTW2350
BTW	5'	Chrome	OTBTW2385
BTW	10'	Chrome	OTBTW2390
N	5'	Std	OTN2145
N	10'	Std	OTN2150
N	5'	Chrome	OTN2185
N	10'	Chrome	OTN2190
NTW	5'	Std	OTNTW2367
NTW	5'	Chrome	OTNTW2367CP
NTW	10'	Std	OTNTW2368
NTW	10'	Chrome	OTNTW2368CP
H	5'	Std	OTH2145
H	10'	Std	OTH2150
H	5'	Chrome	OTH2185
H	10'	Std	OTH2190
HTW	5'	Std	OTHTW2345
HTW	10'	Std	OTHTW2350
HTW	5'	Chrome	OTHTW2385
HTW	10'	Chrome	OTHTW2390
P	5'	Std	OTP2145
P	5'	Chrome	OTP2185

BIT SELECTION CHART

Rock Description	Hardness (Mohs)	Abrasiveness	Blade Series Matrix								
			B2	B3	B5	B7	B8	B9	B11	B13	B15
Soapstone											
Talc											
Coal	1	Extremely Abrasive									
Chalk											
Tuff											
Shale			█								
Siltstone			█								
Loose Sandstone	2	Soft, Very Abrasive	█								
Frozen Soil			█								
Gypsum			█								
Calcite			█								
Soft sandstone			█								
Claystone	3	Soft, Highly Abrasive	█								
Soft Schist			█								
Salt			█								
Alluvial deposits			█								
Hard Shale			█								
Calcitic Limestone	4	Medium-hard, Slightly Abrasive	█								
Sandstone			█								
Serpentine			█								
Pegmatite			█								
Marble			█								
Schist	5	Abrasive	█								
Dolomitic Limestone			█								
Volcanic sandstone			█								
Granite			█								
Dolomite			█								
Peridotite	6	Hard, Medium-Abrasive	█								
Hematite			█								
Magnetite			█								
Basalt			█								
Gneiss			█								
Quartz	7	Very Hard, Occasionally Abrasive	█								
Rhyolite			█								
Diorite			█								
Chert-banded-iron			█								
Gabbro	8	Low Abrasive	█								
Topaz			█								
Conglomerate			█								
Taconite	9	Non-Abrasive	█								
Corundum			█								



13mm



17mm



21mm



Atom Drill Bits

- While 13mm Blade matrix provides good penetration with the prolonged bits life, longer matrix is recommended when bits are wearing out flat. Using 17, or even 21 mm matrix has proved to be more efficient in deep holes,.



Full Face

- Full Face waterways are recommended in low to no circulation hole conditions, as well as highly abrasive, or broken core.



Turbo Waterways

- Turbo waterways perform better in solid ground conditions, where most of the core is un-broken, and drill runs are 3 or 6m long consistently.



CASING SHOES

Our Casing Shoes are offered in two different sizes Econo.» and «V-Ring».

CASING BITS

Our Casing Bits are designed for very hard over burden.

ROD SHOES

Our Rod Shoes are used for over burden.

CASING SHOES			
SIZE	ECONO	V-RING	V-RING+
AW	PIL30000	PIL30002	
BW	PIL40002	PIL40006	
N	PIL50000	PIL50004	PIL50012
H	PIL60002	PIL60004	PIL60010
HWT	PIL60016	PIL60022	PIL60030
PW	PIL80000	PIL80002	PIL80003
PWT	PIL80010	PIL80011	PIL80013

CASING BITS		
SIZE	NORMAL	HEAVY DUTY
BW-N	•	•
NW-H	•	•
HW-P	•	
N-N	•	

ROD SHOES			
SIZE	ECONO	V-RING	V-RING+
N	•	•	•
NT	•	•	•
H	•	•	
HT	•	•	
HWT	•	•	
HM	•	•	



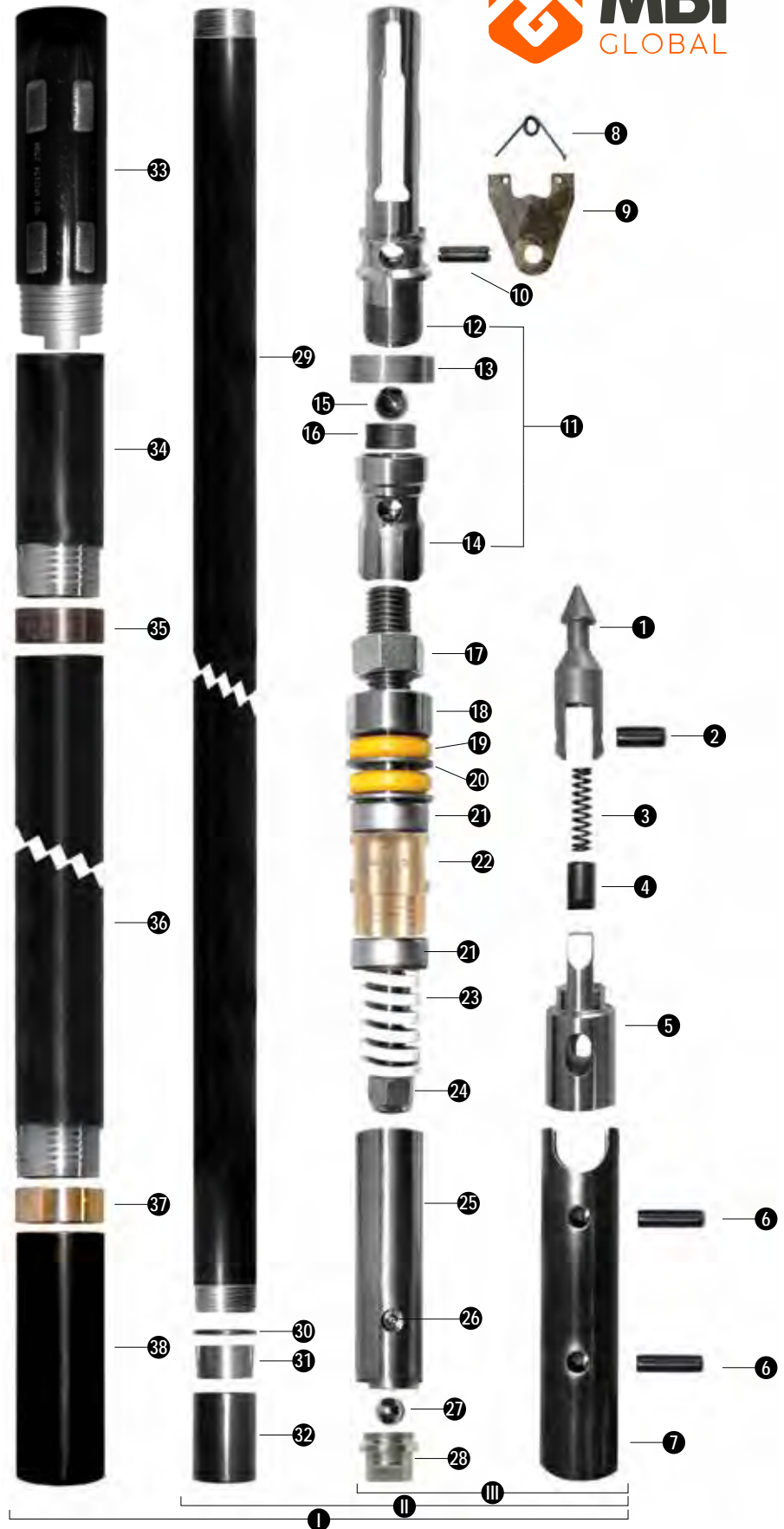
REAMING SHELLS					
SIZE	B W/L	BTW	N W/L	H W/L	P W/L
Regular 6" 1 ring STD	PIL990920	N/A	990940	PIL990960	990980
Regular 6" 1 ring HD	PIL990921	PIL990925	PIL990941	PIL990961	990981
double 10" 2 ring	PIL990922	PIL990924	PIL990242	PIL990962	990982
triple 18" 4 ring	PIL990923	N/A	PIL990943	PIL990963	990983

INNER-TUBE EXTENSIONS		
SIZE	10" SHELLS	TRIPLE SHELL
B	WB2192	WB2193M
BTW	WBTW2392	WBTW2393
N	WN2192	WN2194
N2	WN2792M	WN2794
H	WH2192M	WH2193
P	WP2192	WP2193



WIRELINE CORE BARREL SURFACE KNUCKLE HEAD - SIZE: B				
GRP	DESCRIPTION	ITEM	WEIGHT	
			LB	KG
I	Core Barrel Assy FF (5ft) (10ft)	WB0205	54.00	24.5
		WB0210	90.00	40.8
II	Inner Tube Assy FF (5ft) (10ft)	WB1205	21.00	9.5
		WB1210	28.00	12.7
III	Head Assy FF	WB2002	11.50	5.2

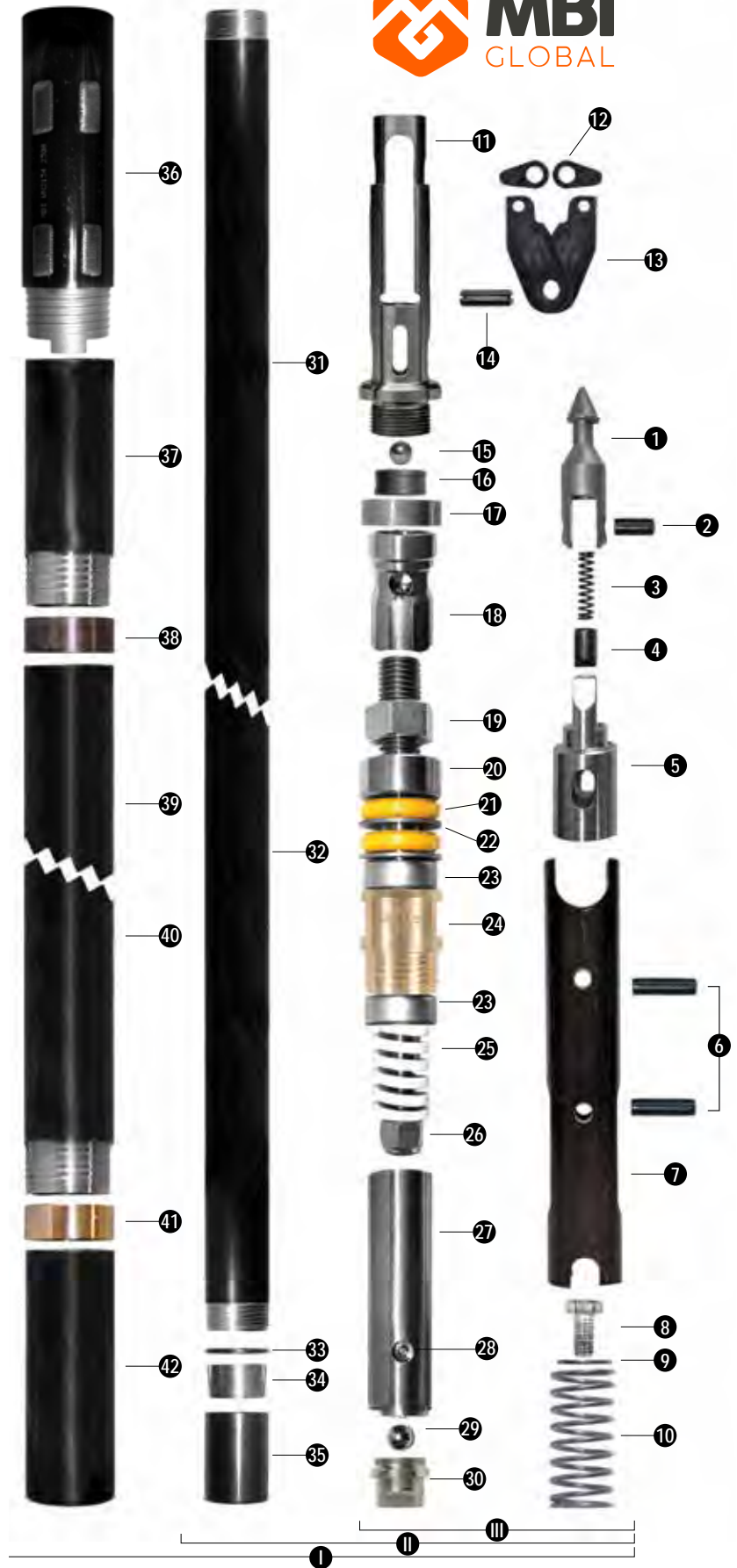
1	Spearhead point	WBNH2201
2	Spiral Pin 7/16"x1"	WBNH2205
3	Compression spring	WBNH2202
4	Detent plunger	WBNH2203
5	Spearhead base	WB2204
6	Spring Pin 3/8 x 1-5/8	WB2103
7	Latch Retracting case	WB2206
8	Latch spring	WB2104
9	Latch	WB2105
10	Spiral Pin 3/8 x 1-1/4	WB2106
11	Latch Body assy	WB2909
12	Upper Body	WB2909-1
13	Landing Shoulder	WB2909-2
14	Lower Body	WB2909-3
15	Steel Ball- 22.0mm	WBNH2909-4
16	Indicator bushing	WBNH2909-5
17	Lock nut	WB2110
18	Spindel assy	WB2111
19	Shut-off valve (2)	WB2112U
20	Valve adjusting washer (2)	WB2113
21	Ball Thrust Bearing	WB2114
22	Spindle bearing	WB2115
23	Compression Spring	WB2116
24	Self locking nut	WB2117
25	Inner Tube Cap assy FF	WB2119
26	Grease fitting	WB2120
27	Stainless Steel Ball 3/4"	WB2121
28	Check valve Body	WB2123
29	5' Inner tube	ITB2125
29	10' Inner tube	ITB2130
30	Stop ring	WB2132
31	Core lifter	WB2133
32	Core lifter case	WB2131
33	Locking coupling standard	WB2134
34	Adapter coupling	WB2135
35	Landing ring	WB2136
36	5' Outer tube	OTB2145
36	10' Outer tube	OTB2150
37	Inner tube stabilizer	WB2139
38	Thread protector	WB2140





WIRELINE CORE BARREL SURFACE KNUCKLE HEAD - SIZE: BLL				
GRP	DESCRIPTION	ITEM	WEIGHT	
			LB	KG
I	Core Barrel Assy FF (5ft) (10ft)	WB0805	54.00	24.5
		WB0810	90.00	40.8
II	Inner Tube Assy FF (5ft) (10ft)	WB1805	21.00	9.5
		WB1810	28.00	12.7
III	Head Assy FF	WB2802	11.50	5.2

1	Spearhead point	WBNH2201
2	Spiral Pin 7/8"x1"	WBNH2205
3	Compression spring	WBNH2202
4	Detent plunger	WBNH2203
5	Spearhead base	WB2204
6	Spring Pin 3/8 x 1-5/8	WB2103
7	Latch Retracting case	WB2806
8	Nyloc Bolt 3/8" - 16 x 3/4"	WBNH2821
9	Washer	WB2822
10	Latch Compression Spring	WB2823
11	Upper Latch Body	WB2809-1
12	Link	WB2807
13	Latch	WB2805
14	Spring Pin, 1/2" x 2"	WB2106
15	Stainless Steel Ball, 22mm	WBNH2909-4
16	Indicator bushing	WBNH2909-5
17	Landing Shoulder	WB2909-2
18	Lower Latch Body	WB2909-3
19	Hex Nut	WB2110
20	Spindle	WB2111
21	Shut-off Valve, Hard	WB2112U
22	Valve Adjusting Washer	WB2113
23	Thrust Bearing	WB2114
24	Spindle Bearing	WB2115
25	Compression Spring	WB2116
26	Lock Nut	WB2117
27	Inner Tube Cap Assy (27A,B,C)	WB2119
28	Grease Fitting	WB2120
29	Stainless Steel Ball 7/8"	WB2121
30	Check Valve Body	WB2123
31	Inner Tube 5'	ITB2125
32	Inner Tube 10'	ITB2130
33	Stop Ring	WB2132
34	Core Lifter	WB2133
35	Core Lifter Case	WB2131
36	Locking coupling standard	WB2134
37	Adaptor Coupling	WB2135
38	Landing Ring	WB2136
39	Outer tube 5'	OTB2145
40	Outer tube 10'	OTB2150
41	Inner tube stabilizer	WB2139
42	Thread protector	WB2140

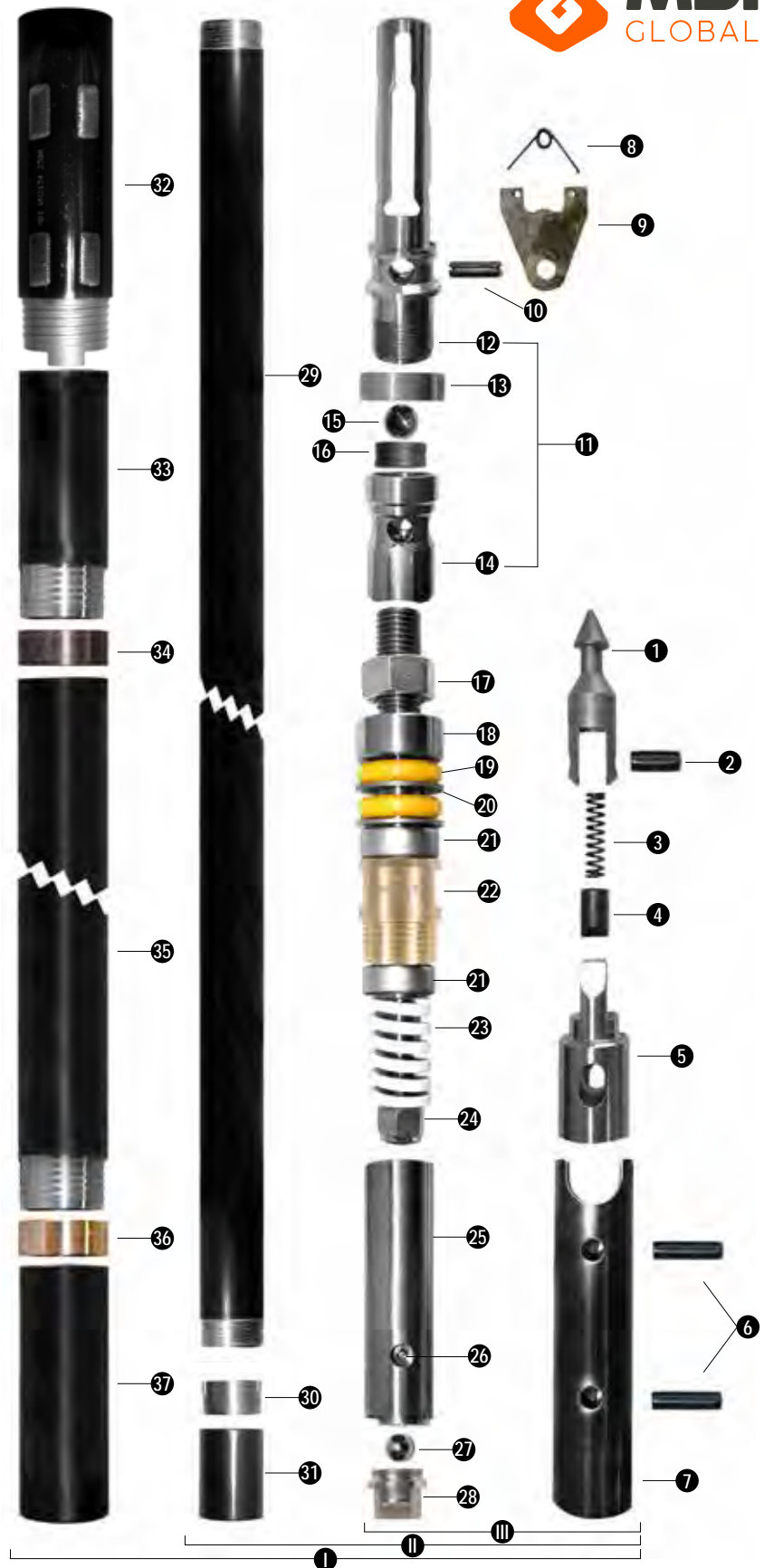


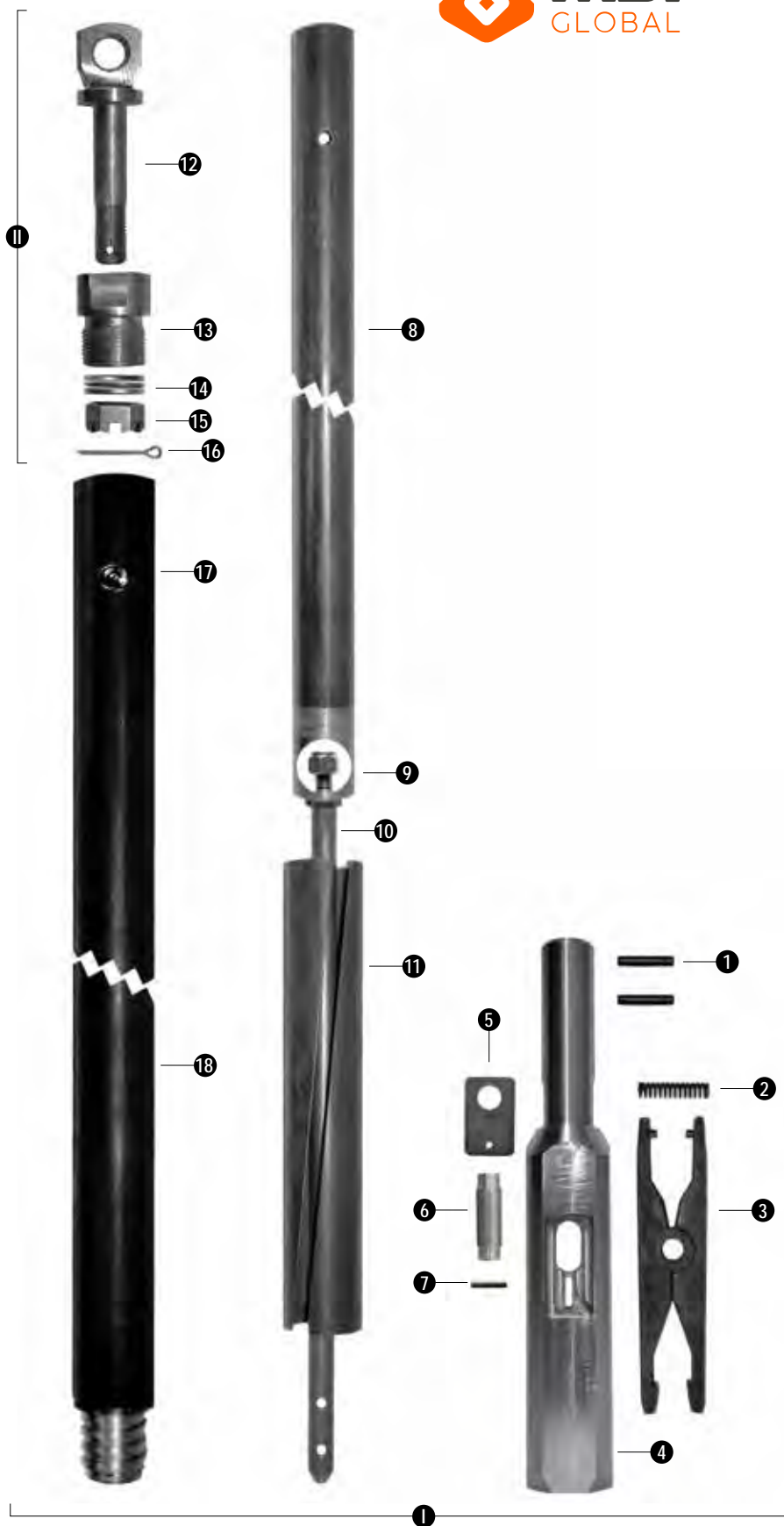


WIRELINE CORE BARREL SURFACE KNUCKLE HEAD - SIZE: BTW				
GRP.	DESCRIPTION	ITEM	WEIGHT	
			LB	KG
I	Core Barrel Assy FF (5ft) (10ft)	WBTW0405	49.00	22.3
		WBTW0410	74.40	33.8
II	Inner Tube Assy FF (5ft) (10ft)	WBTW1405	21.00	9.5
		WBTW1410	28.00	12.7
III	Head Assy FF	WBTW2004	11.50	5.2

DESCRIPTION	CORE DIAMETER	
	MM	INCH
BTW	36.3	1.654
B	36.3	1.432

1	Spearhead point	WBNH2201
2	Spiral Pin 7/16"x1"	WBNH2205
3	Compression spring	WBNH2202
4	Detent plunger	WBNH2203
5	Spearhead base	WB2204
6	Spring Pin 3/8 x 1-5/8 (2)	WB2103
7	Latch Retracting case	WB2206
8	Latch spring	WB2104
9	Latch (2)	WB2105
10	Spiral Pin 3/8 x 1-1/4	WB2106
11	Latch Body Assy	WBTW2909
12	Upper Body	WB2909-1
13	Landing Shoulder with ID grooves	WBTW2909-2
14	Lower Body with ID grooves	WB2909-3
15	Steel Ball- 22.0mm	WBNH2909-4
16	Indicator bushing	WBNH2909-5
17	Lock nut	WB2110
18	Spindel Assy	WB2111
19	Shut-off valve (2)	WBTW2312U
20	Valve adjusting washer (2)	WBTW2313
21	Ball Thrust Bearing	WB2114
22	Spindle bearing	WB2115
23	Compression Spring	WB2116
24	Self locking nut	WB2117
25	Inner Tube Cap Assy FF	WBTW2319
26	Grease fitting	WB2120
27	Steel Ball 7/8"	WB2121
28	Check valve Body	WB2123
29	5' Inner tube	ITBTW2325
29	10' Inner tube	ITBTW2330
30	Core lifter	WBTW2333
31	Core lifter case	WBTW2331
32	Locking coupling standard	WBTW2334
33	Adaptor coupling	WBTW2335
34	Landing ring	WBTW2336
35	5' Outer tube	OTBTW2345
36	10' Outer tube	OTBTW2350
36	Inner tube stabilizer	WBTW2339
37	Thread protector	WB2340





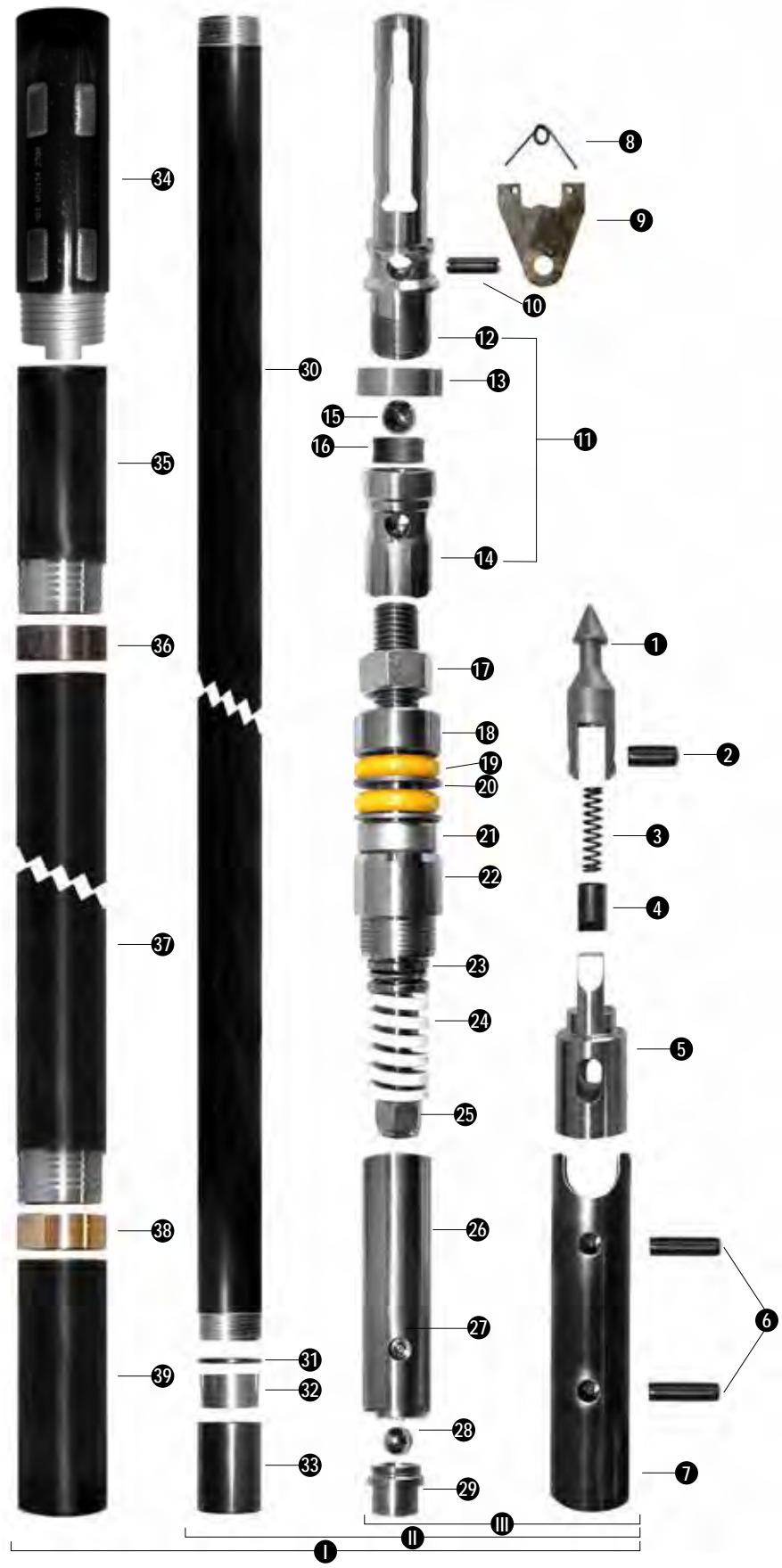
WIRELINE OVERSHOT SURFACE KNUCKLE HEAD - <u>SIZE: B</u>				
GRP.	DESCRIPTION	ITEM	WEIGHT	
			LB	KG
I	Overshot Assy	OB3200NS	23.00	10.4
II	Cable Swivel	OBNH312I	0.56	0.2

NOTE : Locking sleeve is used in dry hole only. It must be removed when hoisting inner tube.

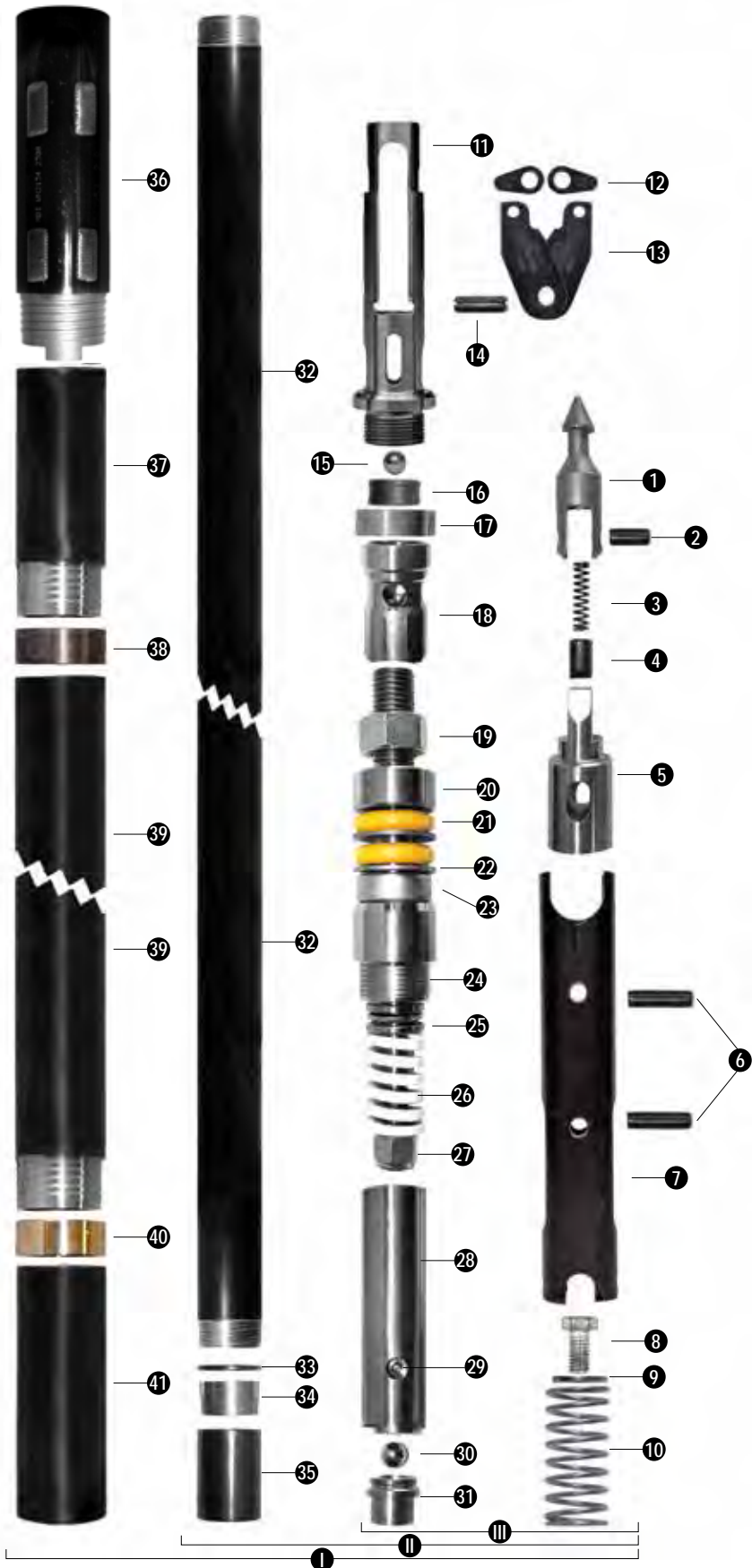
1	Spiral pin (2) (7/32" X 1/4")	OB3222
2	Lifting dog spring	OBNH3116
3	Lifting dog (2)	OB3119
4	Overshot head	OB3215M
5	Guiding plate	OB3215M-I
6	Lifting dog pivot pin (1/8" X 1 7/16")	OB3217M
7	Spring pin (1) (3/16" X 1 3/8")	OB3118
8	Jar tube weldment	OB3221
9	Self lock nut	OB3108
10	Jar staff	OB3212
11	Locking sleeve	OB3111
12	Eye bolt	OBNH3102
13	Cable swivel collar	OBNH3103
14	Needle thrust bearing	OBNH3104
15	Nut	OBNH3105
16	Cotter pin (3/32" X 1")	OBNH3106
17	Grease fitting	WB2120
18	Cable swivel body	OB3207

WIRELINE CORE BARREL SURFACE KNUCKLE HEAD - SIZE: N				
GRP.	DESCRIPTION	ITEM	WEIGHT	
			LB	KG
I	Core Barrel Assy FF (5ft) (10ft)	WN0205	89.70	40.7
		WN0210	138.00	62.4
II	Inner Tube Assy FF (5ft) (10ft)	WN1205	34.40	15.6
		WN1210	47.00	21.3
III	Head Assy FF	WN2002	20.13	9.1

1	Spearhead point	WBNH2201
2	Spiral pin (7/16" X 1")	WBNH2205
3	Compression spring	WBNH2202
4	Detent plunger	WBNH2203
5	Spearhead base	WN2804
6	Spring pin (2) (1/2" x 2")	WN2103
7	Latch retracting case	WN2206
8	Latch spring	WN2104
9	Latch (2)	WN2105
10	Spring pin (1/2" x 1 1/2")	WN2106
11	Latch body assy	WN2909
12	Upper body	WN2909-1
13	Landing shoulder	WN2909-2
14	Lower body	WN2909-3
15	Steel ball 22 mm	WBNH2909-4
16	Landing indicator bushing	WBNH2909-5
17	Lock nut	WN2110
18	Spindel assy	WN2111
19	Shut-off valve (2)	WN2112U
20	Valve adjusting washer (2)	WN2113
21	Ball thrust bearing	WN2114
22	Spindle bearing c/w brass bushing Also available with Regular Spindle bearing (see Options)	WN2115M
23	Hanger bearing	WN2124
24	Compression spring	WN2116
25	Self lock nut	WN2117
26	Inner tube cap assy FF	WN2119
27	Grease fitting	WB2120
28	Steel ball (7/8")	WN2121
29	Check valve body	WN2123
30	Inner tube 5'	ITN2125
30	Inner tube 10'	ITN2130
31	Stop ring	WN2132
32	Core lifter	WN2133
33	Core lifter case	WN2131
34	Locking coupling standard	WN2134
35	Adaptor coupling	WN2135
36	Landing ring	WN2136
37	Outer tube 5'	OTN2145
37	Outer tube 10'	OTN2150
38	Inner tube stabilizer	WN2139
39	Thread protector	WN2140



OPTION : WN2115 - N Spindle Bearing



OPTION : WN2115 - N Spindle Bearing

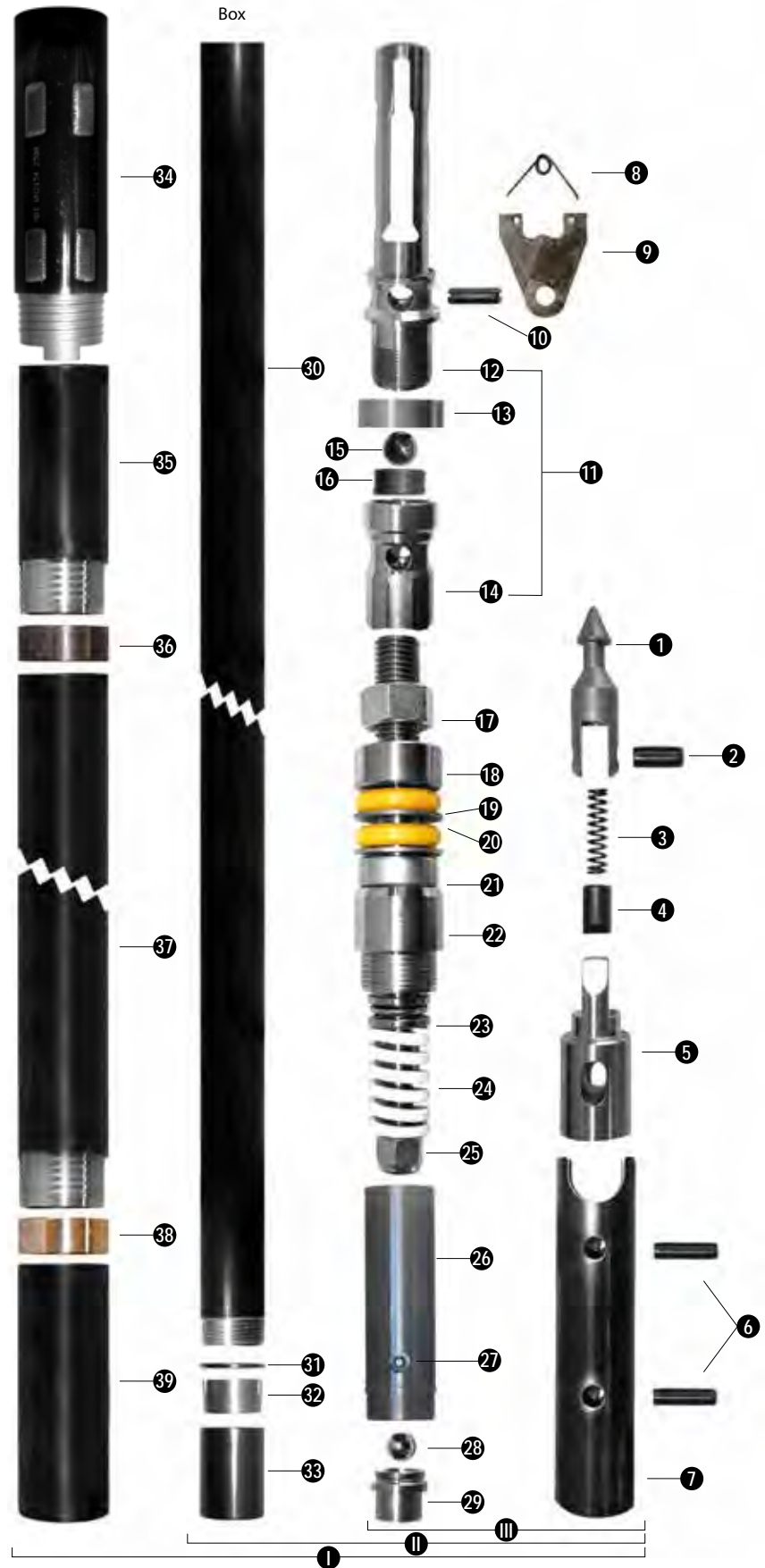
WIRELINE CORE BARREL SURFACE KNUCKLE HEAD - SIZE: NLL				
GRP.	DESCRIPTION	ITEM	WEIGHT	
			LB	KG
I	Core Barrel Assy FF (5ft) (10ft)	WN0805	89.70	40.7
		WN0810	138.00	62.4
II	Inner Tube Assy FF (5ft) (10ft)	WN1805	34.40	15.6
		WN1810	47.00	21.3
III	Head Assy FF	WN2802	20.13	9.1

1	Spearhead Point	WBNH2201
2	Spiral Pin 7/8" x 1"	WBNH2205
3	Compression Spring	WBNH2202
4	Detent Plunger	WBNH2203
5	Spearhead Base	WN2804
6	Spring Pin, 1/2" x 2" (2)	WN2103
7	Latch Retracting Case	WN2806
8	Nyloc Bolt 3/8" - 16 x 3/4"	WBNH2821
9	Washer	WN2822
10	Latch Compression Spring	WN2823
11	Upper Latch Body	WN2809-1
12	Link (2)	WN2807
13	Latch (2)	WN2805
14	Spring Pin, 1/2" x 1" 1/2	WN2106
15	Stainless Steel Ball, 22mm	WBNH2909-4
16	Landing Indicator Bushing	WBNH2909-5
17	Landing Shoulder	WN2909-2
18	Lower Latch Body	WN2909-3
19	Hex Nut	WN2110
20	Spindle	WN2111
21	Shut-off Valve, Hard (2)	WN2112U
22	Valve Adjusting Washer (2)	WN2113
23	Thrust Bearing	WN2114
24	Spindle bearing c/w brass bushing Also available with Regular Spindle bearing (see Options)	WN2115M
25	Hanger Bearing	WN2124
26	Compression Spring	WN2116
27	Self Lock Nut	WN2117
28	Inner Tube Cap Assy	WN2119
29	Grease Fitting	WB2120
30	Stainless Steel Ball 7/8"	WN2121
31	Check Valve Body	WN2123
32	Inner Tube 5'	ITN2125
32	Inner Tube 10'	ITN2130
33	Stop Ring	WN2132
34	Core Lifter	WN2133
35	Core Lifter Case	WN2131
36	Locking coupling standard	WN2134
37	Adaptor Coupling	WN2135
38	Landing Ring	WN2136
39	Outer tube 5'	OTN2145
39	Outer tube 10'	OTN2150
40	Inner tube stabilizer	WN2139
41	Thread protector	WN2140

WIRELINE CORE BARREL SURFACE KNUCKLE HEAD - SIZE: N 2				
GRP.	DESCRIPTION	ITEM	WEIGHT	
			LB	KG
I	Core Barrel Assy FF (5ft) (10ft)	WN0705	89.70	40.7
		WN0710	138.00	62.4
II	Inner Tube Assy FF (5ft) (10ft)	WN1705	34.40	15.6
		WN1710	47.00	21.3
III	Head Assy FF	WN2700	20.10	9.6

1	Spearhead point	WBNH2201
2	Spiral pin (7/16" X 1")	WBNH2205
3	Compression spring	WBNH2202
4	Detent plunger	WBNH2203
5	Spearhead base	WN2204
6	Spring pin (2) (1/2" x 2")	WN2103
7	Latch retracting case	WN2206
8	Latch spring	WN2104
9	Latch (2)	WN2105
10	Spring pin (1/2" x 1 1/2")	WN2106
11	Latch body assy	WN2709
12	Upper body	WN2909-1
13	Landing shoulder	U36072
14	Lower body	WN2909-3
15	Steel ball 22 mm	WBNH2909-4
16	Landing indicator bushing	WBNH2909-5
17	Lock nut	WN2110
18	Spindel assy	WN2111
19	Shut-off valve (2)	WU2112U
20	Valve adjusting washer (2)	WN2113
21	Ball thrust bearing	WN2114
22	Spindle bearing c/w brass bushing Also available with Regular Spindle bearing (see Option)	WN2115M
23	Hanger bearing	WN2124
24	Compression spring	WN2116
25	Self lock nut	WN2117
26	Inner tube cap assy FF	WN2719
27	Grease fitting	WB2120
28	Steel Ball (7/8)	WN2121
29	Check valve body	WN2123
30	Inner tube 5'	ITN2725
30	Inner tube 10'	ITN2730
31	Stop ring	WN22732
32	Core lifter	WN22733
33	Core lifter case	WN22731
34	Locking coupling standard	WN2134
35	Adaptor coupling	WN2135
36	Landing ring	WN2736
37	Outer tube 5'	OTN2145
37	Outer tube 10'	OTN2150
38	Inner tube stabilizer	WN2739
39	Thread protector	WN2140

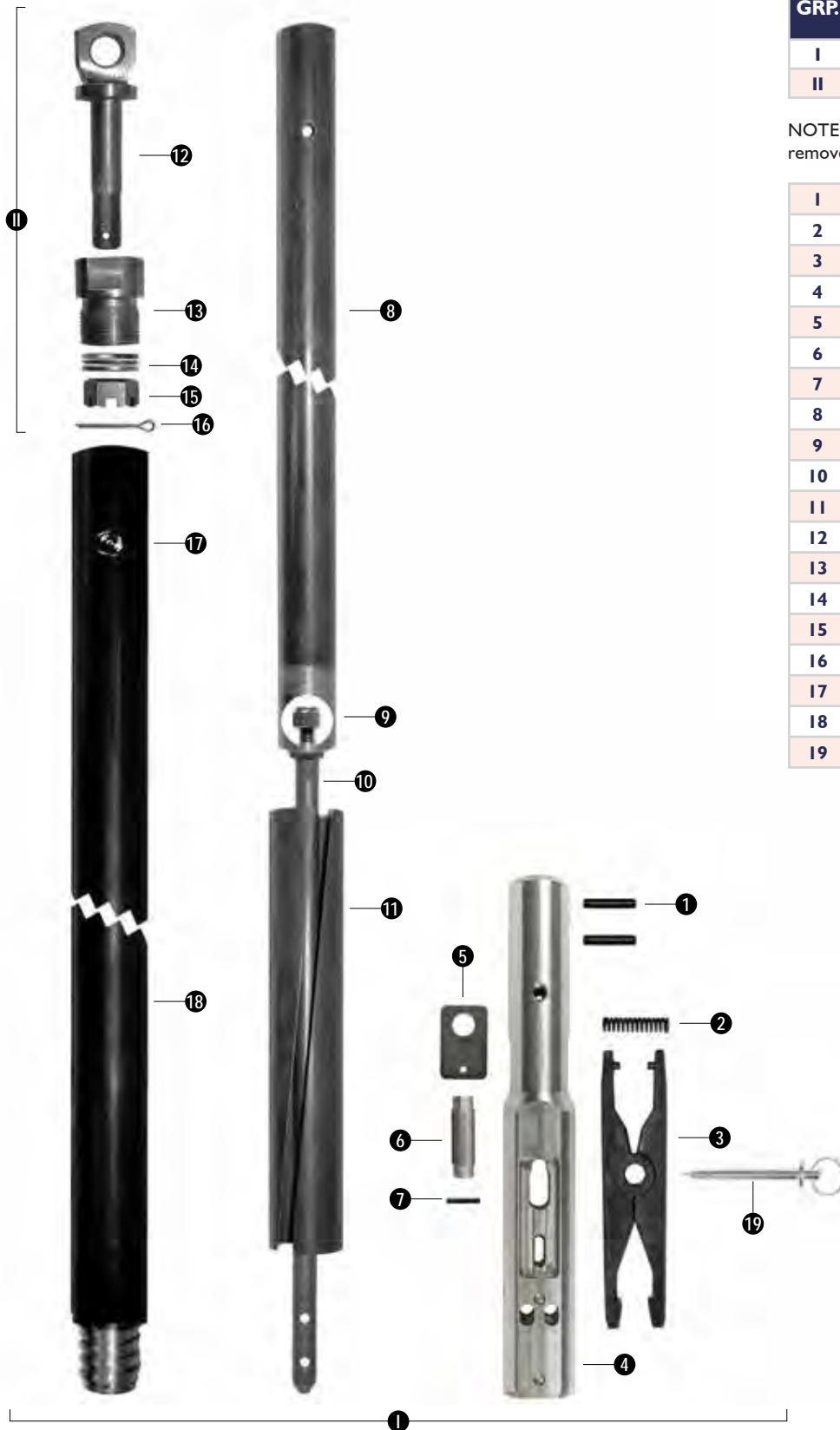
OPTION : WN2115 - N Spindle Bearing



WIRELINE OVERSHOT KNUCKLE HEAD - SIZE: N				
GRP.	DESCRIPTION	ITEM	WEIGHT	
			LB	KG
I	Overshot Assy	ON3200NS	35.35	16.0
II	Cable Swivel	OBNH312I	0.56	0.2

NOTE : Locking sleeve is used in dry hole only. It must be removed when hoisting inner tube.

1	Spiral pin (2) (1/4" X 1 1/2")	ONH3222
2	Lifting dog spring	OBNH3116
3	Lifting dog (2)	ONH3119
4	Overshot head	ON3215M
5	Guiding plate (2)	ON3215M-I
6	Lifting dog pivot pin(1/2" X 1 15/16")	ON3217M
7	Spring pin (1) (1/4" X 1 3/4")	ON3218M
8	Jar tube weldment	ONH3221
9	Self lock nut	ONH3108
10	Jar staff	ONH3212
11	Locking sleeve	ONH3111
12	Eye bolt	OBNH3102
13	Cable swivel collar	OBNH3103
14	Needle thrust bearing	OBNH3104
15	Nut	OBNH3105
16	Cotter pin (3/32" X 1")	OBNH3106
17	Grease fitting	WB2120
18	Cable swivel body	ONH3207
19	Overshot locking pin	ON3214



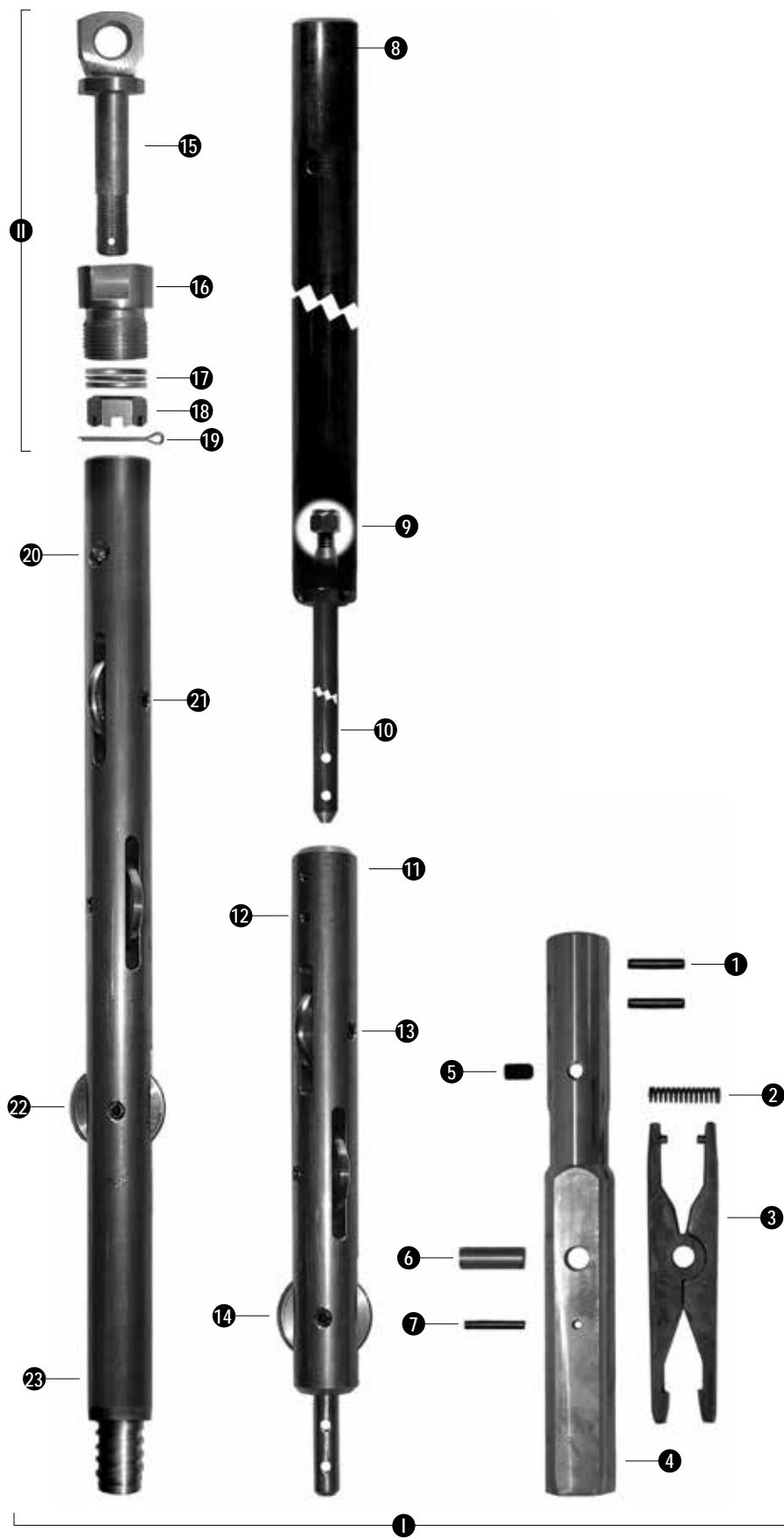
**WIRELINE OVERSHOT
KNUCKLE HEAD - SIZE: N**

GRP.	DESCRIPTION	ITEM	WEIGHT	
			LB	KG
I	Overshot Assy	ON3200NSLY	35.35	16.0
II	Cable Swivel	OBNH312I	0.56	0.2

NOTE : Locking sleeve is used in dry hole only. It must be removed when hoisting inner tube.

1	Nut 3/4" - 10	ONH3108LY
2	Spring lock washer	ONH3213
3	Lifting dog spring	OBNH3116
4	Lifting dog (2)	ONH3119
5	Overshot locking pin	ON3214
6	Overshot head	ONH3215MLY
7	Guiding plate (2)	ON3215M-I
8	Lifting dog pivot pin (1/2" X 1 15/16")	ON3217M
9	Spring pin (1) (1/4" X 1 3/4")	ON3218M
10	Jar tube weldment	ONH3221LY
11	Jar staff	ONH3212LY
12	Locking sleeve	ONH3111
13	Eye bolt	OBNH3102
14	Cable swivel collar	OBNH3103
15	Needle thrust bearing	OBNH3104
16	Nut	OBNH3105
17	Cotter pin (3/32" X 1")	OBNH3106
18	Grease fitting	WB2120
19	Cable swivel body	ONH3207



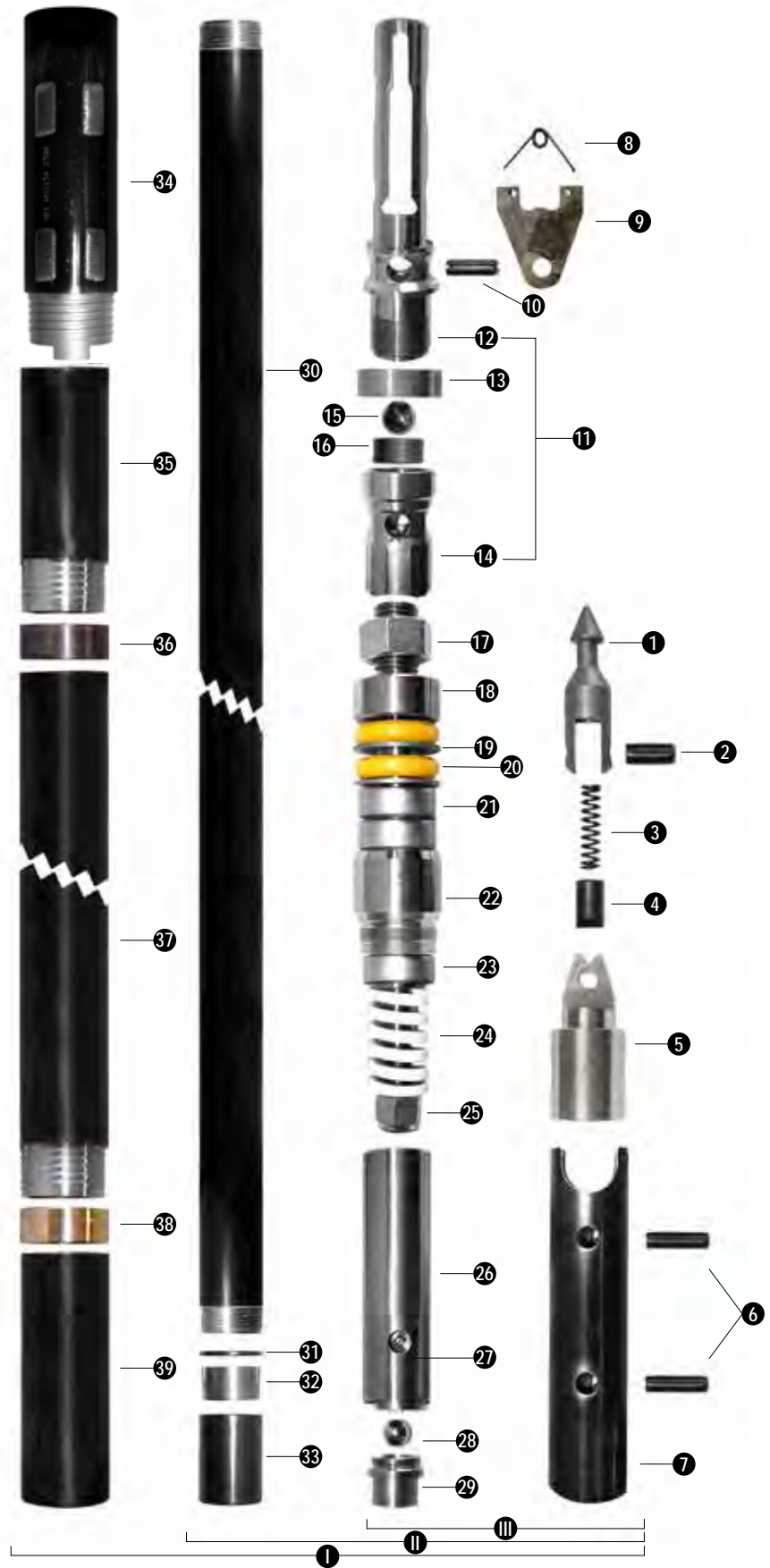


WIRELINE OVERSHOT ROLLER TYPE - SIZE: N				
GRP.	DESCRIPTION	ITEM	WEIGHT	
			LB	KG
I	Overshot Assy	ON3250	39.00	17.7
II	Cable Swivel	OBNH312I	0.56	0.2

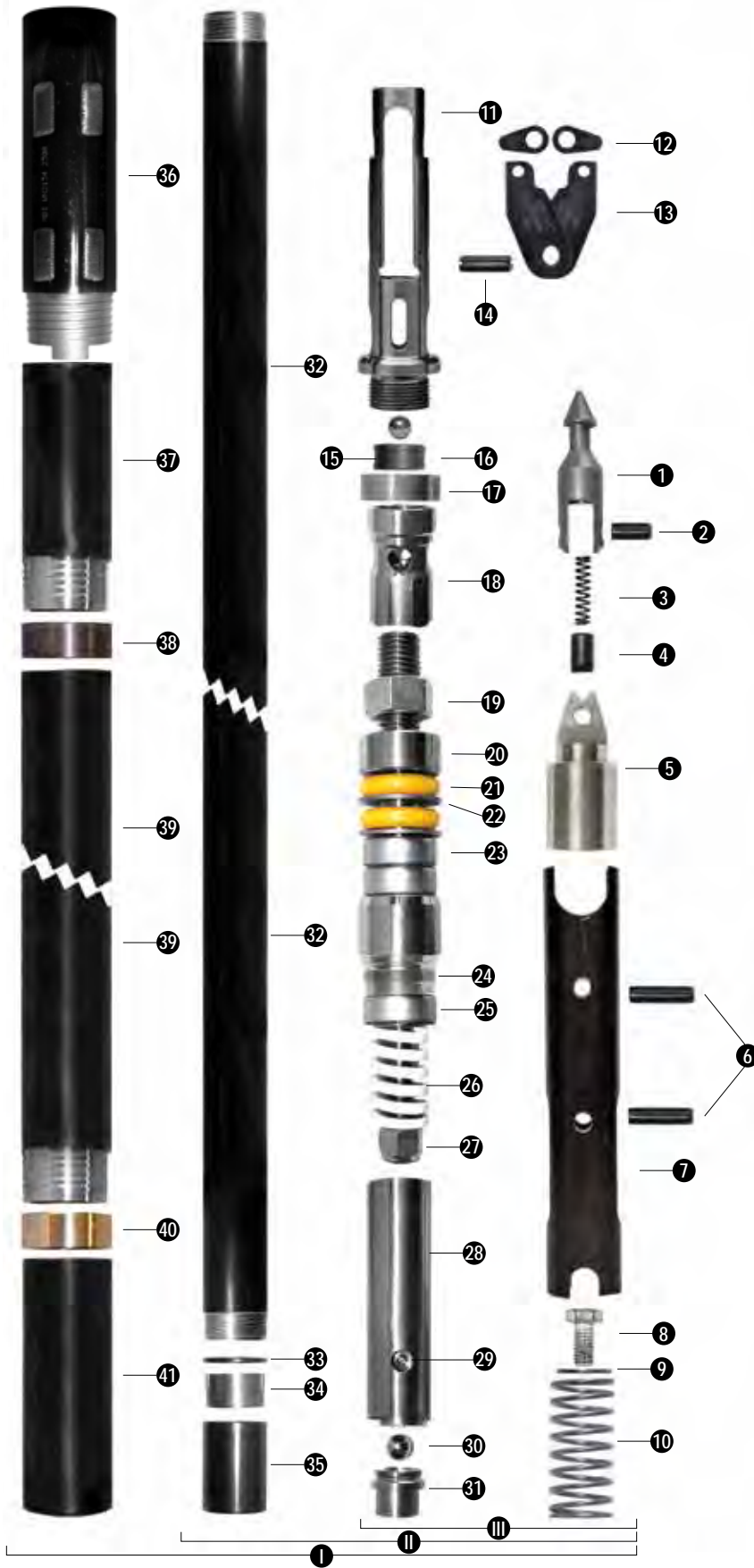
1	Spiral pin (2) (1/4" X 1 1/2")	ONH3222
2	Lifting dog spring	OBNH3116
3	Lifting dog (2)	ONH3119
4	Overshot head	ON3215
5	Machine screw	OBNH3214
6	Lifting dog pivot pin(1/2" X 1 15/16")	ON3217
7	Spring pin (1) (1/4" X 1 3/4")	ON3218
8	Jar tube weldment	ONH3221
9	Lock nut	ONH3108
10	Jar staff	ONH3212
11	Overshot head roller type assy	ON3258
12	Spiral pin (2) (1/4" x 1 1/2")	ONH3222
13	Spring pin (3) (3/8" x 1 5/8")	WB2103
14	Steel roller (3)	ON3256
15	Eye bolt	OBNH3102
16	Cable swivel collar	OBNH3103
17	Needle thrust bearing	OBNH3104
18	Nut	OBNH3105
19	Cotter pin	OBNH3106
20	Grease fitting	WB2120
21	Spring pin (3) (3/8" x 1 5/8")	WB2103
22	Steel roller (3)	ON3256
23	Cable swivel body roller type assy	ON3257

WIRELINE CORE BARREL SURFACE KNUCKLE HEAD - SIZE: H				
GRP.	DESCRIPTION	ITEM	WEIGHT	
			LB	KG
I	Core Barrel Assy FF (5ft) (10ft)	WH0205	145.00	65.9
		WH0210	214.50	97.2
II	Inner Tube Assy FF (5ft) (10ft)	WH1205	60.50	27.4
		WH1210	79.00	35.8
III	Head Assy FF	WH2002	41.25	18.7

1	Spearhead point	WBNH2201
2	Spiral pin (7/16" X 1")	WBNH2205
3	Compression spring	WBNH2202
4	Detent plunger	WBNH2203
5	Spearhead base	WH2804
6	Spring pin (2) (1/2" x 2 3/4")	WH2103
7	Latch retracting case	WH2206
8	Latch spring	WH2104
9	Latch (2)	WH2105
10	Spring pin (1/2" x 2")	WN2103
11	Latch body assy	WH2909
12	Upper body	WH2909-1
13	Landing shoulder	WH2909-2
14	Lower body	WH2909-3
15	Steel ball 22 mm	WBNH2909-4
16	Landing indicator bushing	WBNH2909-5
17	Lock nut	WH2110
18	Spindel assy	WH2111
19	Shut-off valve (2)	WH2112U
20	Valve adjusting washer (2)	WH2113
21	Ball thrust bearing (2)	WH2114
22	Spindle bearing c/w brass bushing Also available with Regular Spindle bearing (see Option)	WH2115M
23	Ball thrust bearing	WN2114
24	Compression spring	WH2116
25	Self lock nut	WH2117
26	Inner tube cap assy FF	WH2119
27	Grease fitting	WB2120
28	Steel ball (7/8)	WN2121
29	Check valve body	WN2123
30	Inner tube 5'	ITH2125
30	Inner tube 10'	ITH2130
31	Stop ring	WH2132
32	Core lifter	WH2133
33	Core lifter case	WH2131
34	Locking coupling standard	WH2134
35	Adaptor coupling	WH2135
36	Landing ring	WH2136
37	Outer tube 5'	OTH2145
37	Outer tube 10'	OTH2150
38	Inner tube stabilizer	WH2139
39	Thread protector	WH2140



OPTION : WH2115 - H Spindle Bearing



OPTION : WH21 I5 - H Spindle Bearing

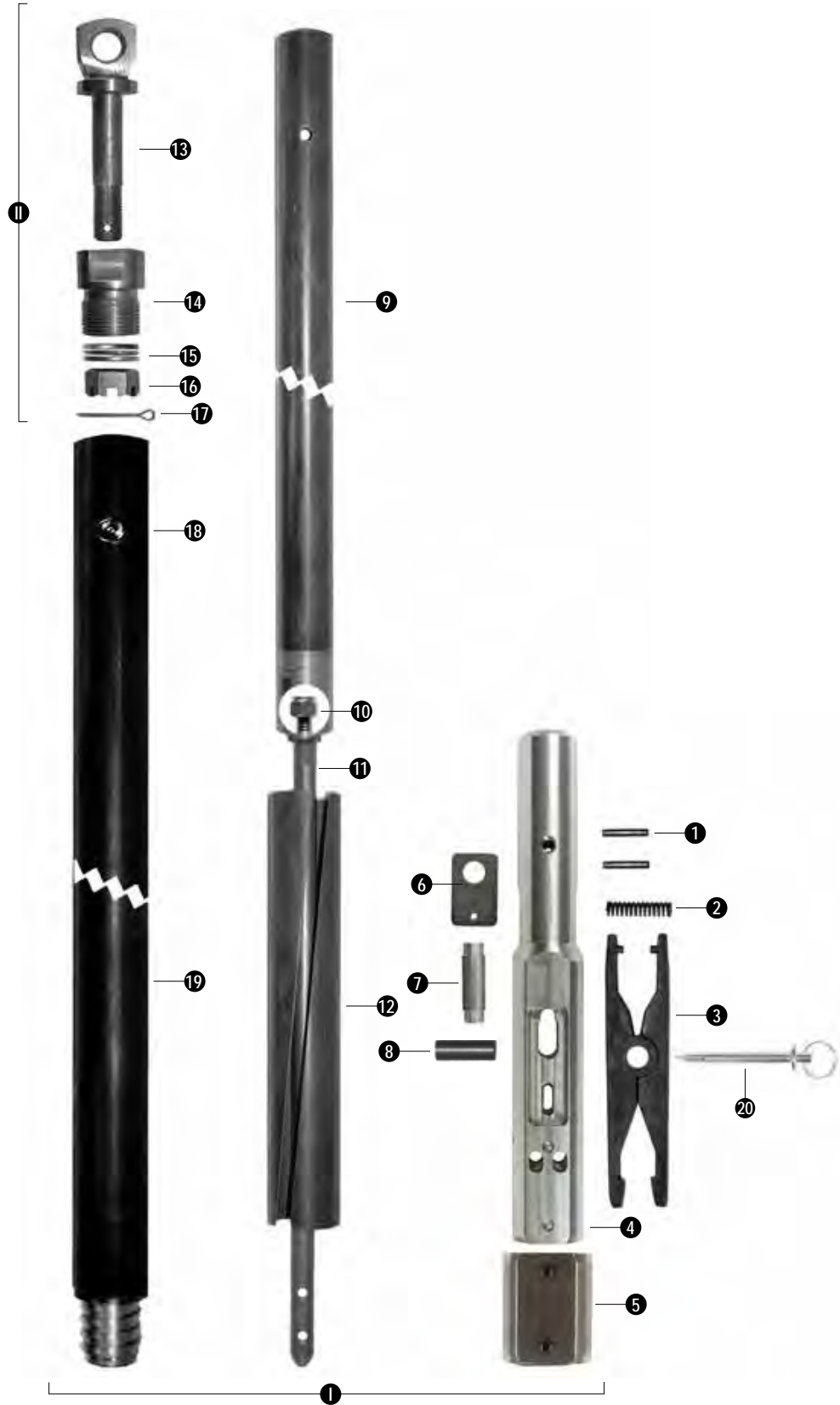
WIRELINE CORE BARREL SURFACE KNUCKLE HEAD - SIZE: HLL				
GRP.	DESCRIPTION	ITEM	WEIGHT	
			LB	KG
I	Core Barrel Assy FF (5ft) (10ft)	WH0805	89.70	40.7
		WH0810	138.00	62.4
II	Inner Tube Assy FF (5ft) (10ft)	WH1805	34.40	15.6
		WH1810	47.00	21.3
III	Head Assy FF	WH2802	20.13	9.1

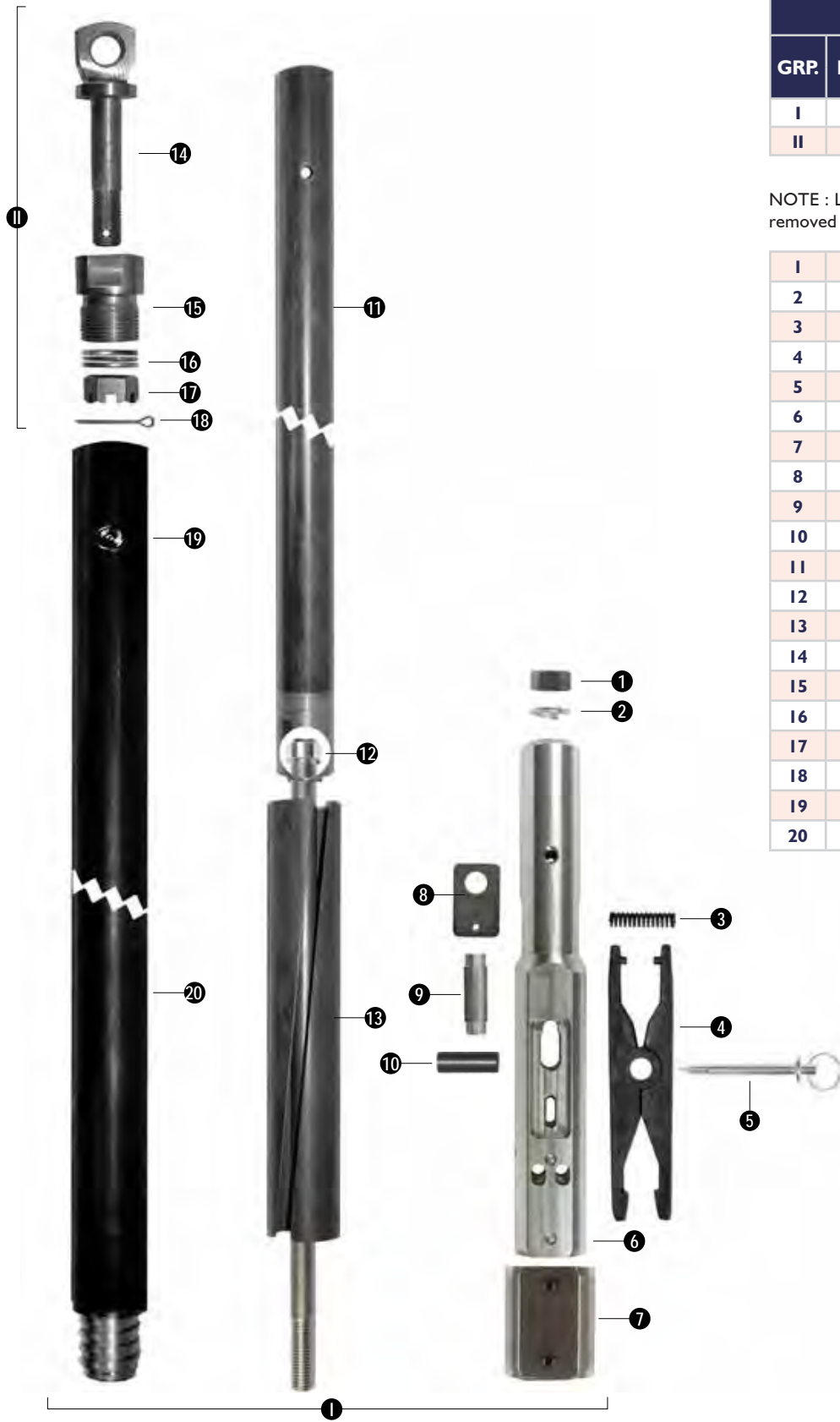
1	Spearhead Point	WBNH2201
2	Spiral Pin 7/8" x 1"	WBNH2205
3	Compression Spring	WBNH2202
4	Detent Plunger	WBNH2203
5	Spearhead Base	WH2804
6	Spring Pin, 1/2" x 2" (2)	WH2103
7	Latch Retracting Case	WH2806
8	Nyloc Bolt 3/8" - 16 x 3/4"	WBNH2821
9	Washer	WH2822
10	Latch Compression Spring	WH2823
11	Upper Latch Body	WH2809-1
12	Link (2)	WH2807
13	Latch (2)	WH2805
14	Spring Pin, 1/2" x 2"	WN2103
15	Stainless Steel Ball, 22mm	WBNH2909-4
16	Landing Indicator Bushing	WBNH2909-5
17	Landing Shoulder	WH2909-2
18	Lower Latch Body	WH2809-3
19	Hex Nut	WH2110
20	Spindle	WH2111
21	Shut-off Valve, Hard (2)	WH2112U
22	Valve Adjusting Washer (2)	WH2113
23	Thrust Bearing (2)	WH2114
24	Spindle bearing c/w brass bushing Also available with Regular Spindle bearing(see Option)	WH2115M
25	Hanger Bearing	WN2114
26	Compression Spring	WH2116
27	Self Lock Nut	WH2117
28	Inner Tube Cap Assy	WH2119
29	Grease Fitting	WB2120
30	Stainless Steel Ball 7/8"	WN2121
31	Check Valve Body	WN2123
32	Inner Tube 5'	ITH2125
32	Inner Tube 10'	ITH2130
33	Stop Ring	WH2132
34	Core Lifter	WH2133
35	Core Lifter Case	WH2131
36	Locking coupling standard	WH2134
37	Adaptor Coupling	WH2135
38	Landing Ring	WH2136
39	Outer tube 5'	OTH2145
39	Outer tube 10'	OTH2150
40	Inner tube stabilizer	WH2139
41	Thread protector	WH2140

WIRELINE OVERSHOT KNUCKLE HEAD - SIZE: H - PIN				
GRP.	DESCRIPTION	ITEM	WEIGHT	
			LB	KG
I	Overshot Assy	OH3200NS	38.60	17.5
II	Cable Swivel	OBNH312I	0.56	0.2

NOTE : Locking sleeve is used in dry hole only. It must be removed when hoisting inner tube.

1	Spiral pin (2) (1/4" X 1 1/2")	ONH3222
2	Lifting dog spring	OBNH3116
3	Lifting dog (2)	ONH3119
4	Overshot head	ON3215M
5	Sleeve adaptor	OH3220-SP
6	Guiding plate (2)	ON3215M-I
7	Lifting dog pivot pin	ON3217M
8	Spring pin (1/4" x 3 1/4")	ON3218M
9	Jar tube weldment	ONH3221
10	Self lock nut	ONH3108
11	Jar staff	ONH3212
12	Locking sleeve	ONH3111
13	Eye bolt	OBNH3102
14	Cable swivel collar	OBNH3103
15	Needle thrust bearing	OBNH3104
16	Nut	OBNH3105
17	Cotter pin (3/32" X 1")	OBNH3106
18	Grease fitting	WB2120
19	Cable swivel body	ONH3207
20	Overshot locking pin	ON3214





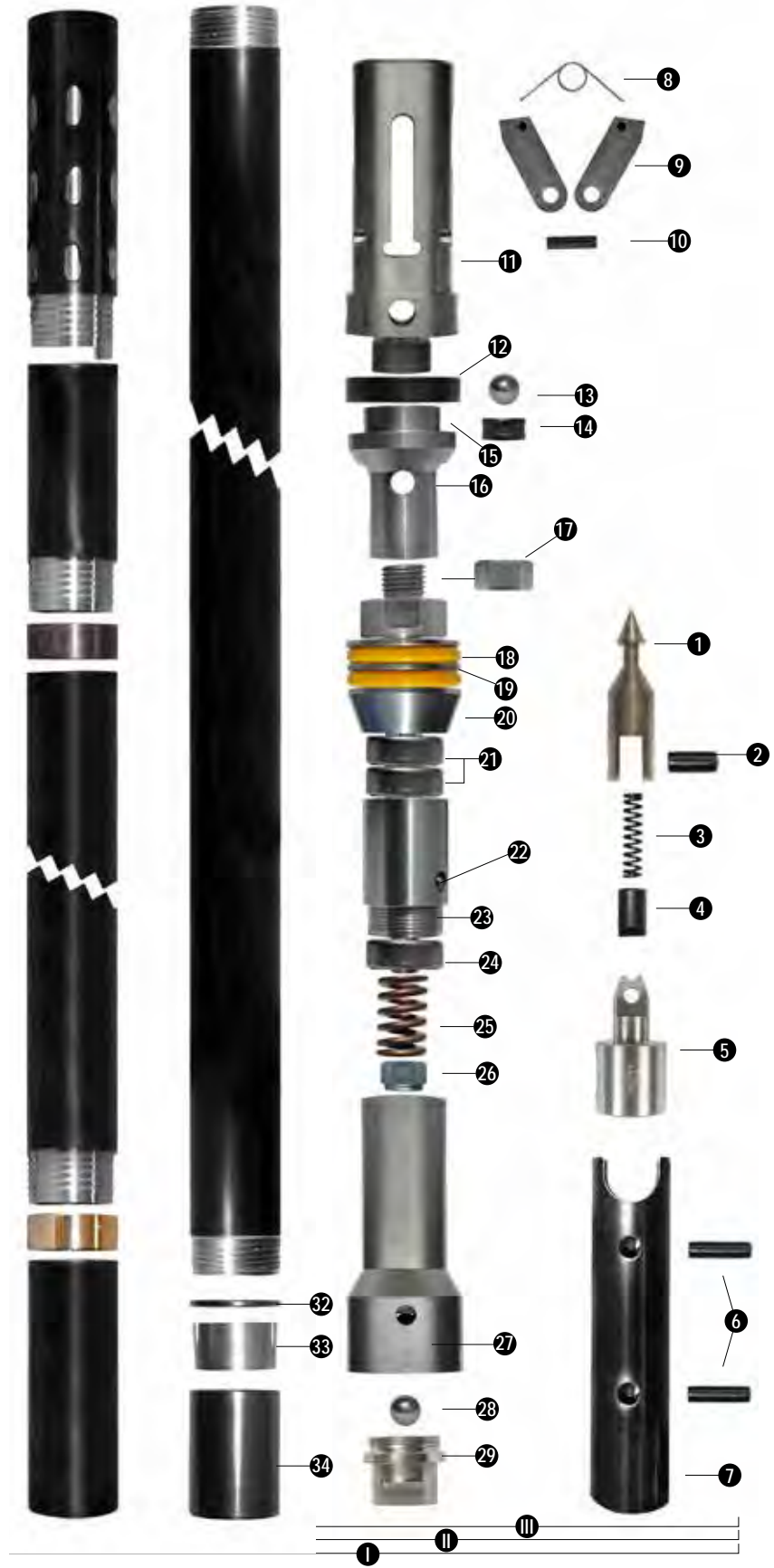
WIRELINE OVERSHOT KNUCKLE HEAD - SIZE: H - NUT				
GRP.	DESCRIPTION	ITEM	WEIGHT	
			LB	KG
I	Overshot Assy	OH3200NSLY	38.60	17.5
II	Cable Swivel	OBNH312I	0.56	0.2

NOTE : Locking sleeve is used in dry hole only. It must be removed when hoisting inner tube.

1	Nut 3/4" - 10	ONH3108LY
2	Spring lock washer 3/4"	ONH3213
3	Lifting dog spring	OBNH3116
4	Lifting dog (2)	ONH3119
5	Overshot locking pin	ON3214
6	Overshot head	ONH3215MLY
7	Sleeve adaptor	OH3220-5P
8	Guiding plate (2)	ON3215M-I
9	Lifting dog pivot pin	ON3217M
10	Spring pin (1/4" x 3 1/4")	ON3218M
11	Jar tube weldment	ONH3221LY
12	Jar staff	ONH3212LY
13	Locking sleeve	ONH3111
14	3 Eye bolt	OBNH3102
15	Cable swivel collar	OBNH3103
16	Needle thrust bearing	OBNH3104
17	Nut	OBNH3105
18	Cotter pin (3/32" X 1")	OBNH3106
19	Grease fitting	WB2120
20	Cable swivel body	ONH3207

WIRELINE CORE BARREL SURFACE KNUCKLE HEAD - SIZE: P				
GRP.	DESCRIPTION	ITEM	WEIGHT	
			LB	KG
I	Core Barrel Assy FF (5ft) (10ft)	WP0205	211.00	95.70
		WP0210	304.00	138.00
II	Inner Tube Assy FF (5ft) (10ft)	WP1205	95.00	43.10
		WP1210	121.00	54.90
III	Head Assy FF	WP2002	66.00	29.

I	Spearhead Point	WP2201
2	Spirol Pin (3/4" x 2")	WP2205
3	Spearhead Compression Spring	WP2202
4	Detent Plunger	WP2203
5	Spearhead Base	WP2204
6	Spirol Pin (20mm x 100mm)	WP2103
7	Latch Retracting Case	WP2206
8	Latch Spring	WP2104
9	Latch (2)	WP2105
10	Spring Pin (1/2" x 2") (2)	WN2103
11	Upper Latch Body	WP2909-1
12	Landing shoulder	WP2909-2
13	Stell Ball 22mm	WBNH2909-4
14	Landing Indicator Bushing	WBNH2909-5
15	Spindle Assy	WP2111
16	Lower Latch Body	WP2909-3
17	Lock Nut (1 1/2" - 6 NC)	WP2110
18	Shut off Valve (2)	WP2112-UNS
19	Valve Adjusting Washer (2)	WP2113
20	Washer Tapered	WP2119-CAP
21	Ball Thrust Bearing B13 (2)	WH2114
22	Grease Fitting	WB3120
23	Spindle Bearing	WP2115
24	Ball Thrust Bearing B9	WN2114
25	Spindle Compression Spring	WH2116
26	Self Lock Nut (1" - 8 NC)	WH2117
27	Inner Tube Cap Assy FF	WP2119
28	Steel Ball (7/8")	WN2121
29	Check Valve Body	WP2123
30	Inner Tube 5'	ITP2125
31	Inner Tube 10'	ITP2130
32	Stop Ring	WP2132
33	Core Lifter	WP2133
34	Core Lifter Case	WP2131
35	Locking coupling standard	WP2134-3
36	Adaptor coupling	WP2135-LY
37	Landing Ring	WP2136
38	Outer tube 5'	OTP2145
39	Outer tube 10'	OTP2150
40	Inner tube stabilizer	WP2139
41	Thread protector	WP2140





WIRELINE OVERSHOT KNUCKLE HEAD - SIZE: P				
GRP.	DESCRIPTION	ITEM	WEIGHT	
			LB	KG
I	Overshot Assy	OP3200	38.60	17.5
II	Cable Swivel	OP3121	0.56	0.2

NOTE : Locking sleeve is used in dry hole only. It must be removed when hoisting inner tube.

1	Spiral pin (5/16" x 2")	OP3222
2	Lifting dog spring	OP3116
3	Lifting dog	OP3119
4	Overshot head	OP3215M
5	Guiding plate	OP3215M-I
6	Lifting dog pivot pin	OP3217M
7	Spring pin (1/4" x 3 1/4")	OP3223
8	Jar tube weldment	OP3221
9	Self lock nut	WN2117
10	Jar staff	OP3212
11	Locking sleeve	OP3111
12	Eye bolt	OP3102
13	Cable swivel collar	OP3103
14	Bearing	WB2114
15	Nut	OP3105
16	Cotter pin (1/8" x 1 3/4")	HP60017
17	Grease fitting	WB2120
18	Cable swivel body	OP3207

WIRELINE OVERSHOT KNUCKLE HEAD - SIZE: P				
GRP.	DESCRIPTION	ITEM	WEIGHT	
			LB	KG
I	Overshot Assy	OP3200NS	38.60	17.50
II	Cable Swivel	OPNH312I	0.56	0.20

NOTE : Locking sleeve is used in dry hole only. It must be removed when hoisting inner tube.

1	Nut 3/4" - 10	ONH3108LY
2	Spring lock washer 3/4"	ONH3213
3	Lifting dog spring	OBNH3116
4	Overshot locking pin	ON3214
5	Lifting dog (2)	ONH3119
6	Sleeve adaptor	OP3220-SP
7	Overshot head	ONH3215MLY
8	Guiding plate (2)	ON3215M-I
9	Lifting dog pivot pin	ON3217M
10	Spring pin (1/4" x 3 1/4")	ON3218M
11	Jar tube weldment	ONH3221LY
12	Jar staff	ONH3212LY
13	Locking sleeve	ONH3111
14	Eye bolt	OBNH3102
15	Cable swivel collar	OBNH3103
16	Needle thrust bearing	OBNH3104
17	Nut	OBNH3105
18	Cotter pin (3/32" X 1")	OBNH3106
19	Grease fitting	WB2120
20	Cable swivel body	ONH3207

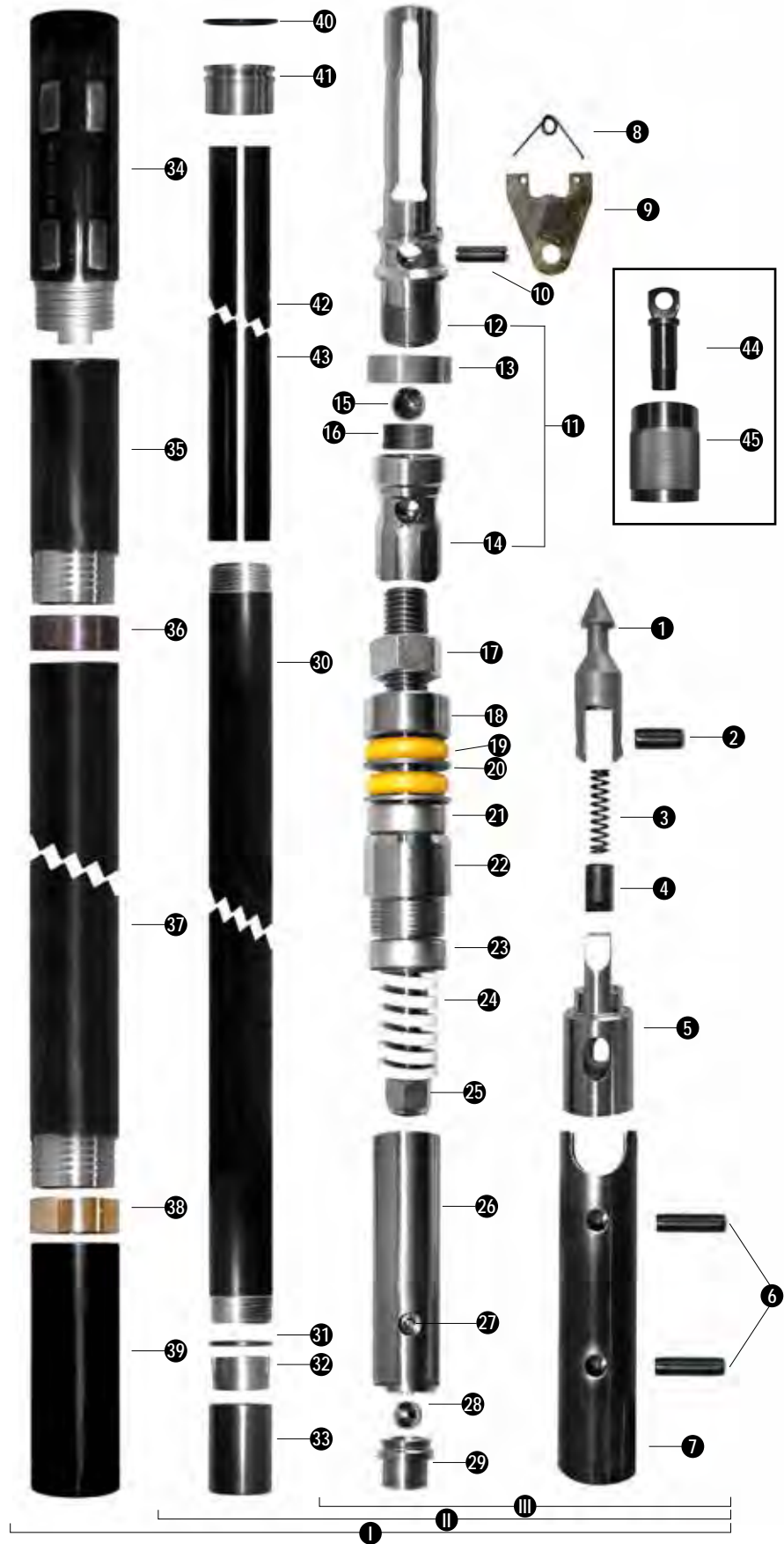


WIRELINE CORE BARREL TRIPLE TUBE SIZE: N

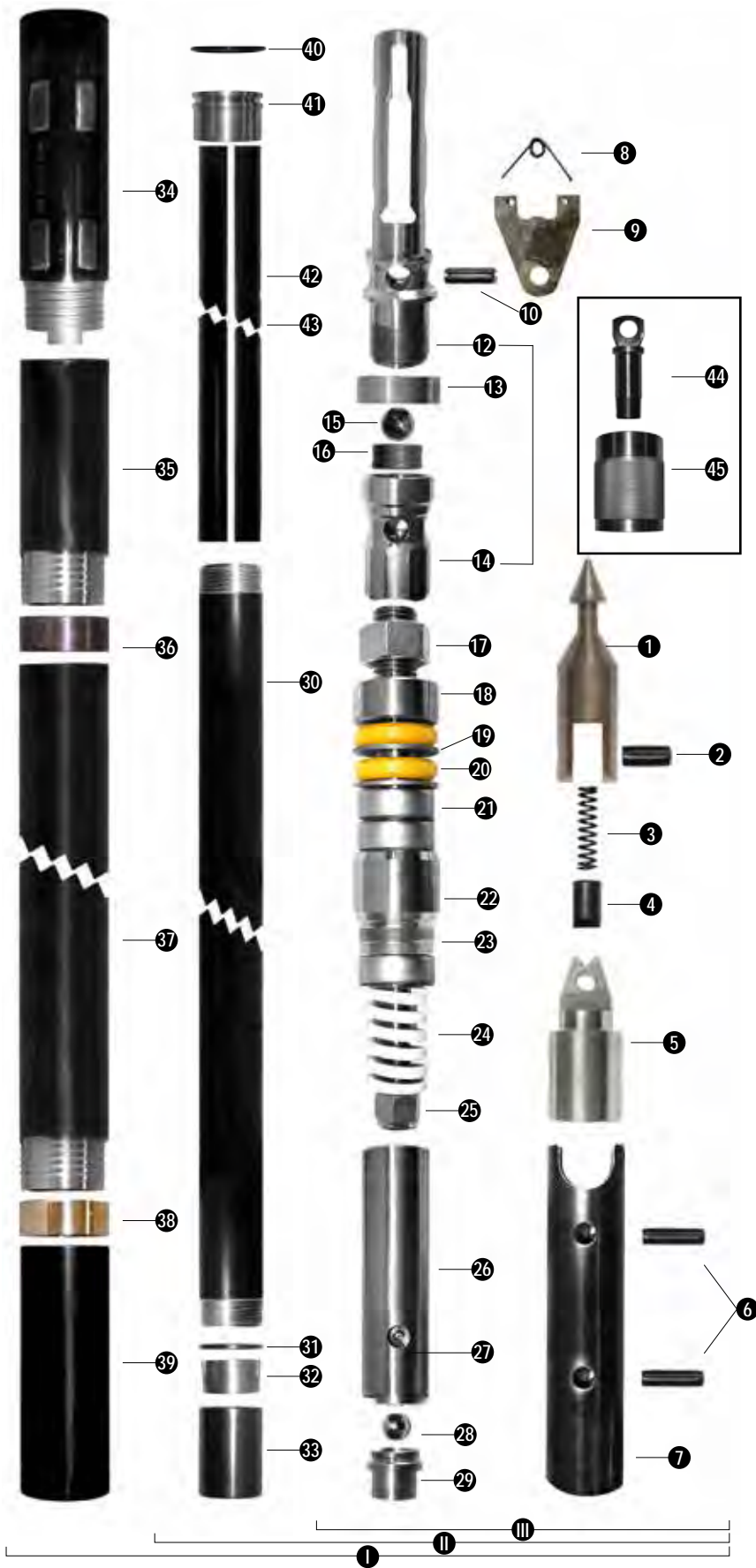
DOWN THE HOLE: SURFACE

WIRELINE CORE BARREL TRIPLE TUBE - SIZE: N				
GRP.	DESCRIPTION	ITEM	WEIGHT	
			LB	KG
I	Core Barrel Assy FF (5ft) (10ft)	WN30205	89.70	40.70
		WN30210	138.00	62.40
II	Inner Tube Assy FF (5ft) (10ft)	WN31205	34.40	15.60
		WN31210	47.00	21.30
III	Head Assy FF	WN2002	20.13	9.10.

1	Spearhead point	WBNH2201
2	Spiral pin (7/16" X 1")	WBNH2205
3	Compression spring	WBNH2202
4	Detent plunger	WBNH2203
5	Spearhead base	WN2804
6	Spring pin (2) (1/2" x 2")	WN2103
7	Latch retracting case	WN2206
8	Latch spring	WN2104
9	Latch (2)	WN2105
10	Spring pin (1/2" x 1 1/2")	WN2106
11	Latch body assy	WN2909
12	Upper body	WN2909-1
13	Landing shoulder	WN2909-2
14	Lower body	WN2909-3
15	Steel ball 22 mm	WBNH2909-4
16	Landing indicator bushing	WBNH2909-5
17	Lock nut	WN2110
18	Spindel assy	WN2111
19	Shut-off valve (2)	WN2112U
20	Valve adjusting washer (2)	WN2113
21	Ball thrust bearing	WN2114
22	Spindle bearing c/w brass bushig Also available with Regular Spindle bearing (see Options)	WN2115M
23	Hanger bearing	WN2124
24	Compression spring	WN2116
25	Self lock nut	WN2117
26	Inner tube cap assy FF	WN2119
27	Grease fitting	WB2120
28	Steel ball (7/8")	WN2121
29	Check valve body	WN2123
30	Inner tube 5'	ITN2125
30	Inner tube 10'	ITN2130
31	Stop ring	WN32132
32	Core lifter	WN32133
33	Core lifter case	WN32131
34	Locking coupling standard	WN2134
35	Adaptor coupling	WN2135
36	Landing ring	WN2136
37	Outer tube 5'	OTN2145
37	Outer tube 10'	OTN2150
38	Inner tube stabilizer	WN2139
39	Thread protector	WN2140
40	"O" ring	WN32126
41	Piston	WN32127
42	Split tube 5'	WN32128
43	Split tube 10'	WN32129
44	Piston plug	WBNH2138
45	Adapter	WN32137



OPTION : WN2115 - N Spindle Bearing



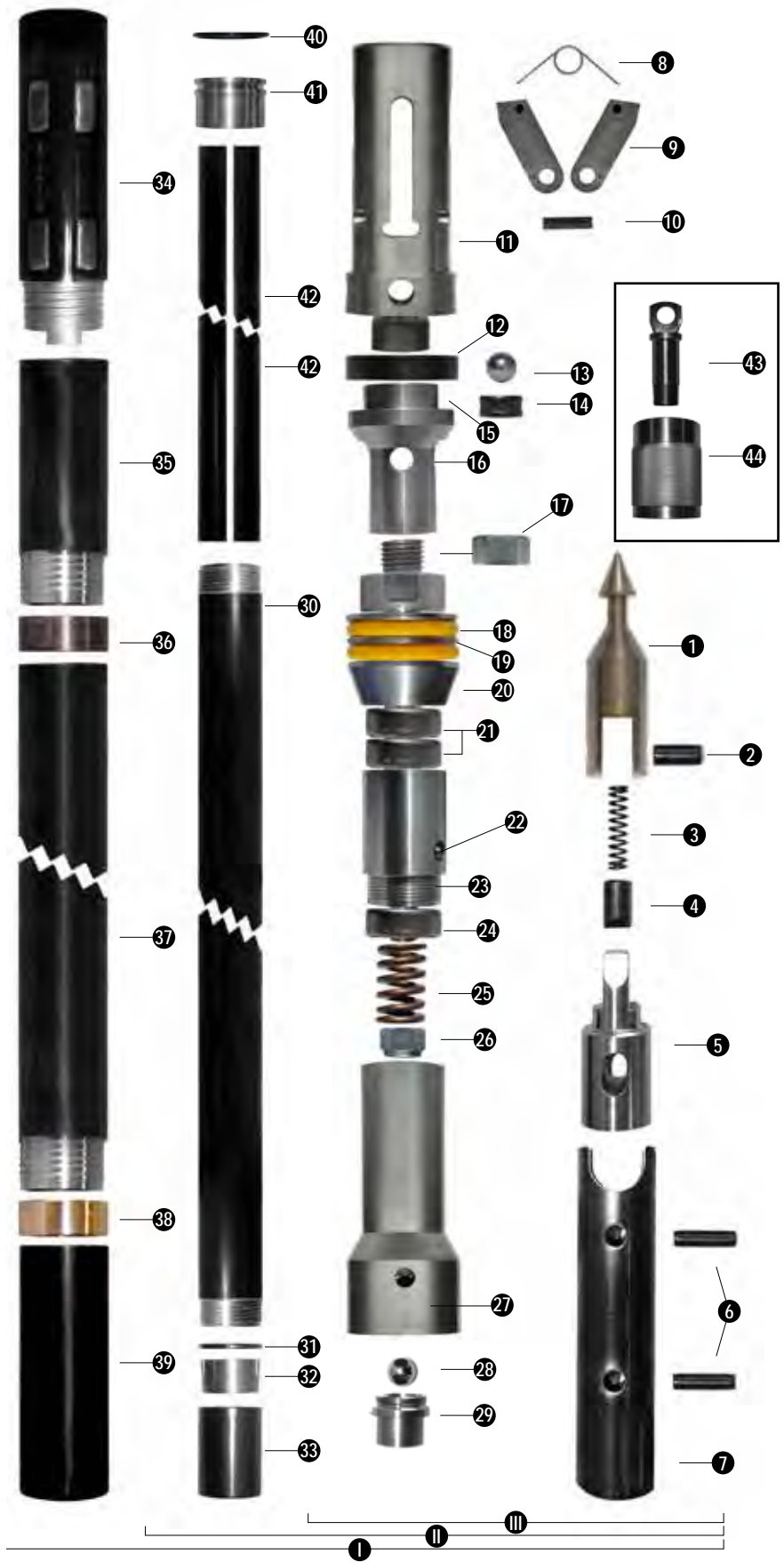
OPTION : WH2115 - H Spindle Bearing

WIRELINING CORE BARREL TRIPLE TUBE - SIZE: H				
GRP.	DESCRIPTION	ITEM	WEIGHT	
			LB	KG
I	Core Barrel Assy FF (5ft) (10ft)	WH30205	145.00	65.90
		WH30210	214.50	97.20
II	Inner Tube Assy FF (5ft) (10ft)	WH31205	60.50	27.40
		WH31210	79.00	35.80
III	Head Assy FF	WH2002	41.25	18.70.

1	Spearhead point	WBNH2201
2	Spiral pin (7/16" X 1")	WBNH2205
3	Compression spring	WBNH2202
4	Detent plunger	WBNH2203
5	Spearhead base	WH2804
6	Spring pin (2) (1/2" x 2 3/4")	WH2103
7	Latch retracting case	WH2206
8	Latch spring	WH2104
9	Latch (2)	WH2105
10	Spring pin (1/2" x 2")	WN2103
11	Latch body assy	WH2909
12	Upper body	WH2909-1
13	Landing shoulder	WH2909-2
14	Lower body	WH2909-3
15	Steel ball 22 mm	WBNH2909-4
16	Landing indicator bushing	WBNH2909-5
17	Lock nut	WH2110
18	Spindel assy	WH2111
19	Shut-off valve (2)	WH2112U
20	Valve adjusting washer (2)	WH2113
21	Ball thrust bearing (2)	WH2114
22	Spindle bearing c/w brass bushig Also available with Regular Spindle bearing (see Option)	WH2115M
23	Ball thrust bearing	WN2114
24	Compression spring	WH2116
25	Self lock nut	WH2117
26	Inner tube cap assy FF	WH2119
27	Grease fitting	WB2120
28	Steel ball (7/8)	WN2121
29	Check valve body	WN2123
30	Inner tube 5'	ITH2125
30	Inner tube 10'	ITH2130
31	Stop ring	WH32132
32	Core lifter	WH32133
33	Core lifter case	WH32131
34	Locking coupling standard	WH2134
35	Adaptor coupling	WH2135
36	Landing ring	WH2136
37	Outer tube 5'	OTH2145
37	Outer tube 10'	OTH2150
38	Inner tube stabilizer	WH2139
39	Thread protector	WH2140
40	"O" ring	WH32126
41	Piston	WH32127
42	Split tube 5'	WH32128
43	Split tube 10'	WH32129
44	Piston plug	WBNH2138
45	Adapter	WH32137

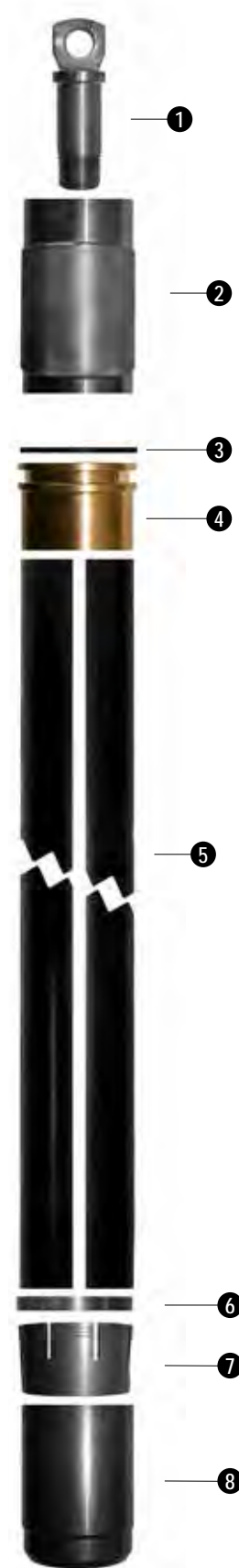
WIRELINE CORE BARREL SURFACE KNUCKLE HEAD - SIZE: P				
GRP.	DESCRIPTION	ITEM	WEIGHT	
			LB	KG
I	Core Barrel Assy FF (5ft) (10ft)	WP30205	211.00	95.70
		WP30210	304.00	138.00
II	Inner Tube Assy FF (5ft) (10ft)	WP31205	95.00	43.10
		WP31210	121.00	54.90
III	Head Assy FF	WP2002	66.00	29.90.

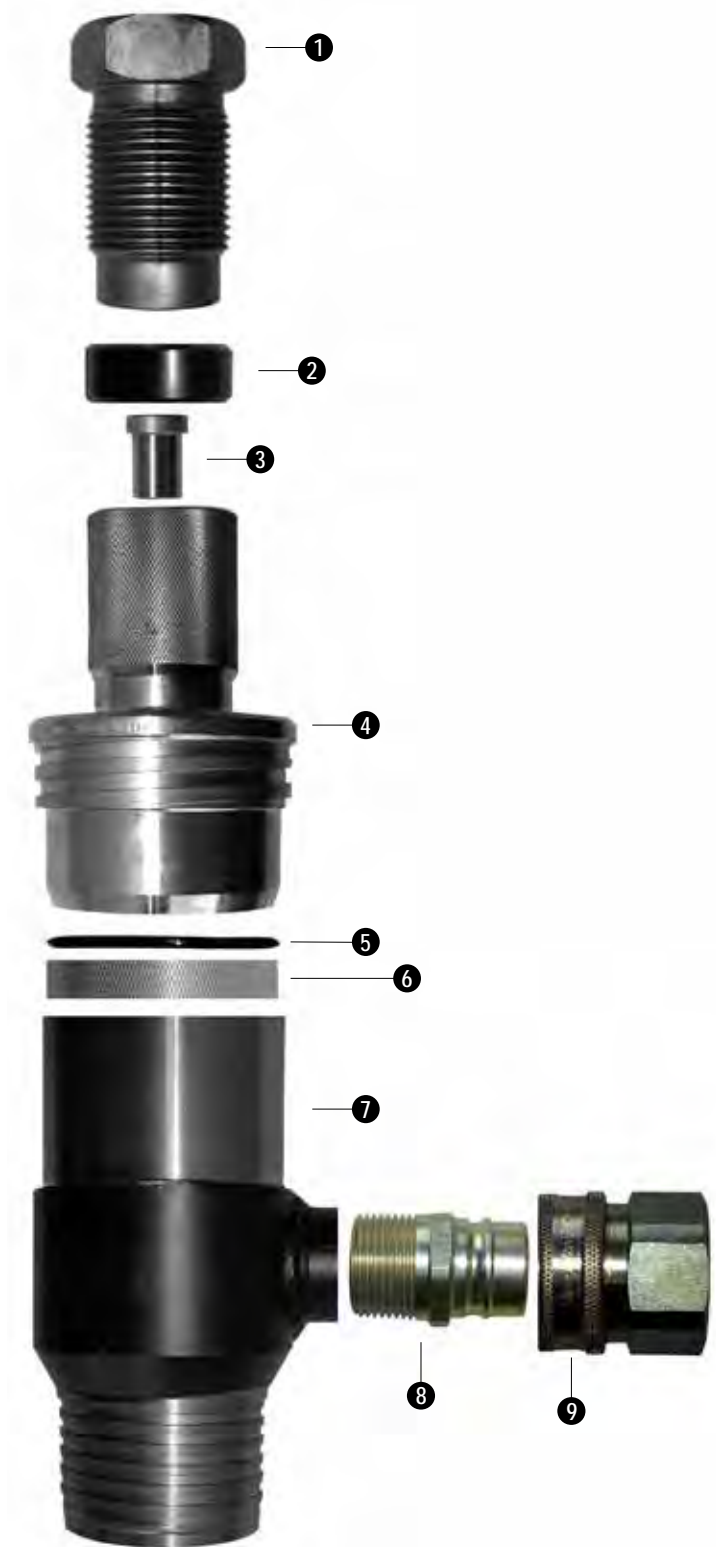
1	Spearhead Point	WP2201
2	Spirol Pin (3/4" x 2")	WP2205
3	Spearhead Compression Spring	WP2202
4	Detent Plunger	WP2203
5	Spearhead Base	WP2204
6	Spirol Pin (20mm x 100mm)	WP2103
7	Latch Retracting Case	WP2206
8	Latch Spring	WP2104
9	Latch (2)	WP2105
10	Spring Pin (1/2" x 2") (2)	WN2103
11	Upper Latch Body	WP2909-1
12	Landing shoulder	WP2909-2
13	Stell Ball 22mm	WBNH2909-4
14	Landing Indicator Bushing	WBNH2909-5
15	Spindle Assy	WP2111
16	Lower Latch Body	WP2909-3
17	Lock Nut (1 1/2" - 6 NC)	WP2110
18	Shut off Valve (2)	WP2112-UNS
19	Valve Adjusting Washer (2)	WP2113
20	Washer Tapered	WP2119-CAP
21	Ball Thrust Bearing	WH2114
22	Grease Fitting	WB3120
23	Spindle Bearing	WP2115
24	Ball Thrust Bearing	WN2114
25	Spindle Compression Spring	WH2116
26	Self Lock Nut (1" - 8 NC)	WH2117
27	Inner Tube Cap Assy FF	WP2119
28	Steel Ball (7/8")	WN2121
29	Check Valve Body	WP2123
30	Inner Tube 5'	ITP2125
30	Inner Tube 10'	ITP2130
31	Stop Ring	WP32132
32	Core Lifter	WP32133
33	Core Lifter Case	WP32131
34	Locking coupling standard	WP2134-3
35	Adaptor coupling	WP2135-LY
36	Landing Ring	WP2136
37	Outer tube 5'	OTP2145
37	Outer tube 10'	OTP2150
38	Inner tube stabilizer	WP2139
39	Thread protector	WP2140
40	"O" ring	WP32126
41	Piston	WP32127
42	Split tube 5'	WP32128
42	Split tube 10'	WP32129
43	Piston plug	WPNH2138
44	Adapter	WP32137



SPLIT TUBE CONVERSION KITS SURFACE: W3						
GRP.	ITEM 5'	WEIGHT		ITEM 10'	WEIGHT	
		LB	KG		LB	KG
N 3	WN31905	9.07	4.10	WN31910	14.07	6.40
H 3	WH31905	13.11	5.90	WH31910	18.11	8.20
HW 3	WP31905	15.01	6.80	WP31910	20.01	9.10
P 3	WP31905	15.01	6.80	WP31910	20.01	9.10

1	Piston plug :	N 3 : H 3 : HW 3 : P 3 :	WBNH2138 WBNH2138 WBNH2138 WBNH2138
2	Adapter :	N 3 : H 3 : HW 3 : P 3 :	WN32137 WH32137 WP32137 WP32137
3	"O" ring :	N 3 : H 3 : HW 3 : P 3 :	WN32126 WH32126 WP32126 WP32126
4	Piston :	N 3 : H 3 : HW 3 : P 3 :	WN32127 WH32127 WP32127 WP32127
5	Split tube :5'	N 3 : H 3 : HW 3 : P 3 :	WN32128 WH32128 WP32128 WP32128
5	Split tube : 10'	N 3 : H 3 : HW 3 : P 3 :	WN32129 WH32129 WP32129 WP32129
6	Stop ring :	N 3 : H 3 : HW 3 : P 3 :	WN32132 WH32132 WP32132 WP32132
7	Core lifter :	N 3 : H 3 : HW 3 : P 3 :	WN32133 WH32133 WP32133 WP32133
8	Core lifter case :	N 3 : H 3 : HW 3 : P 3 :	WN32131 WH32131 WP32131 WP32131



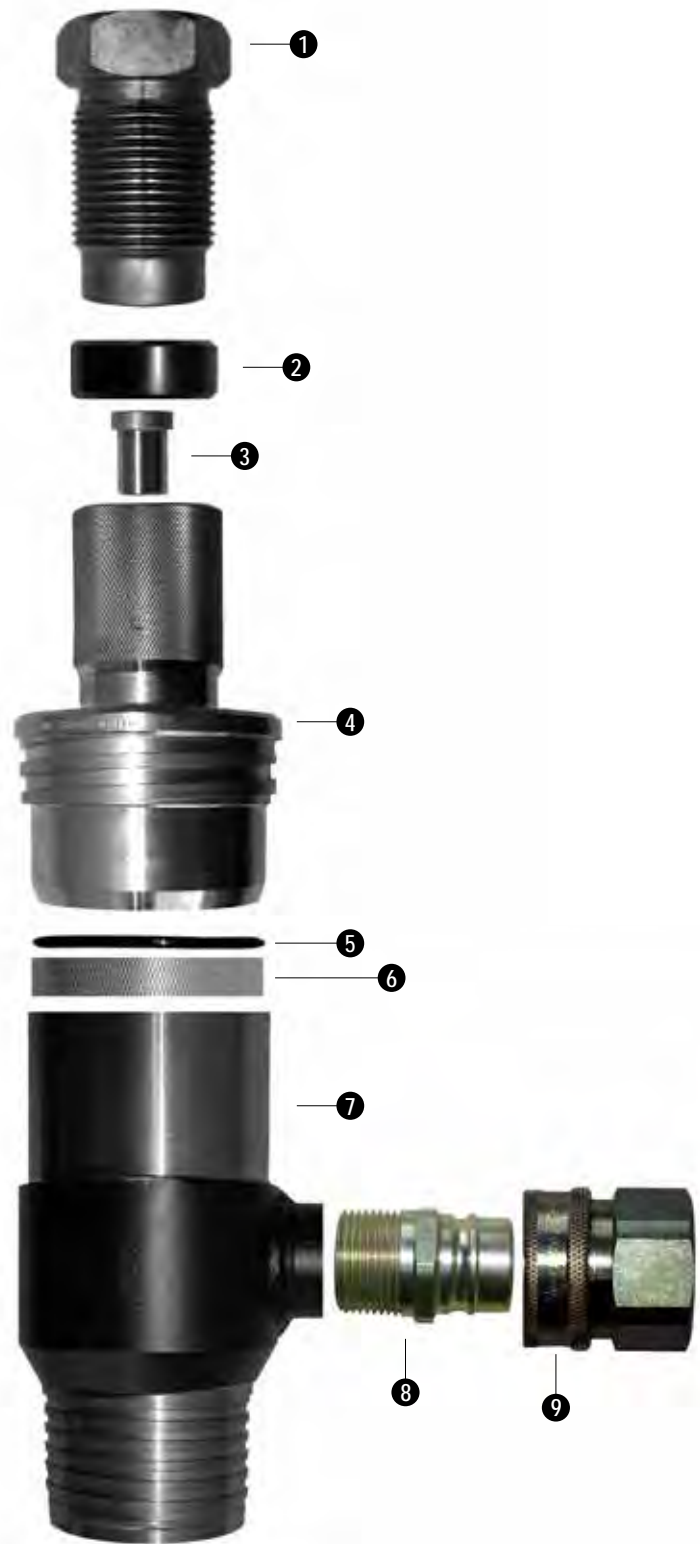


LOADING CHAMBER				
DESCRIPTION	ITEM	WEIGHT		
		LB	KG	
A-U (3/16")	WAU4000	7.00	3.20	
A-U (1/4")	WAU4020	7.00	3.20	
B-U (3/16")	WBU4000	8.58	3.90	
B-U (1/4")	WBU4020	8.58	3.90	
N-U (3/16")	WNU4000	10.90	5.00	
N-U (1/4")	WNU4020	10.90	5.00	
H-U (3/16")	WHU4000	12.70	5.80	
H-U (1/4")	WHU4020	12.70	5.80	

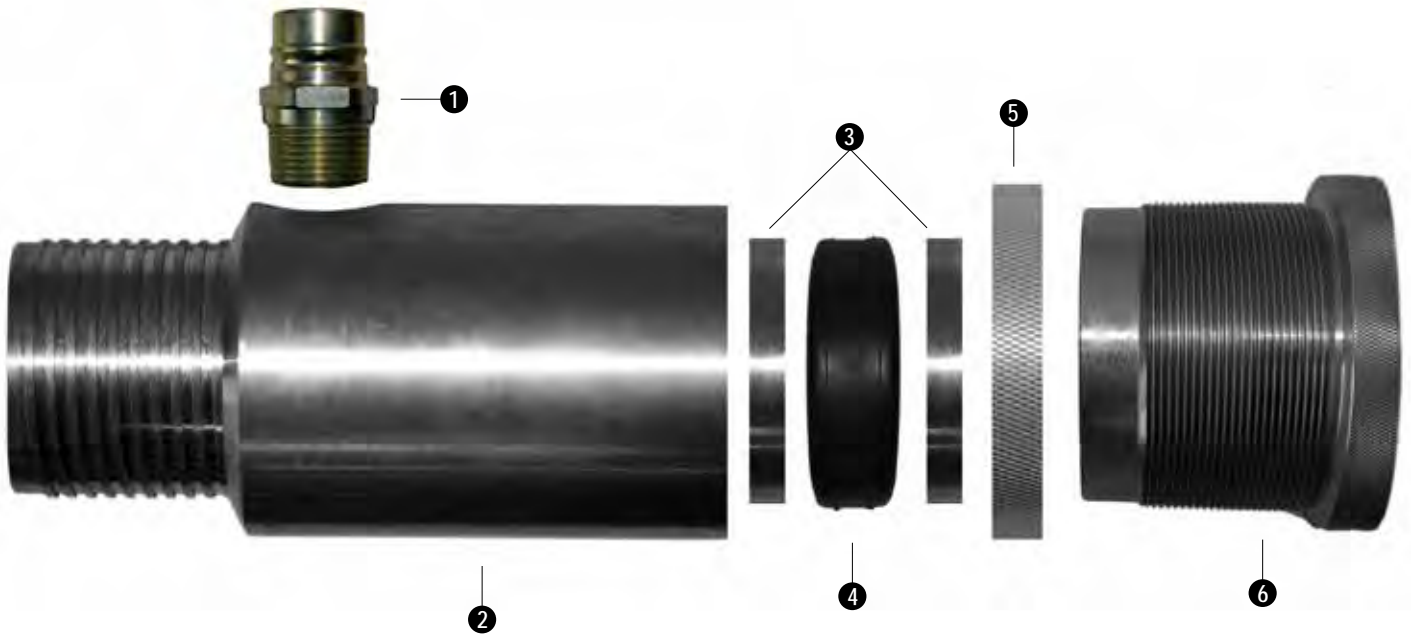
1	Packing plug (3/16") : Packing plug (1/4") :	A - U : B - U : N - U : H - U :	WBNHU4011 WBNHU4023
2	Cable packing (3/16") : Cable packing (1/4") :	All sizes : All sizes :	WBNHU4010 WBNHU4022
3	Bushing (3/16") : Bushing (1/4") :	All sizes : All sizes :	WBNHU4009 WBNHU4021
4	Packing house :	A - U : B - U : N - U : H - U :	WAU4008 WBU4008 WNU4008 WHU4008
5	"O" ring :	A - U : B - U : N - U : H - U :	WAU2126 WBU4002 WNU4002 WHU4002
6	Retainer latch :	A - U : B - U : N - U : H - U :	WAU4003 WBU4003 WNU4003 WHU4003
7	Loading chamber body :	A - U : B - U : N - U : H - U :	WAU4004 WBU4004 WNU4004 WHU4004
8	Quick detach / male (2) :	All sizes :	WBNHU4006
9	Quick detach / female :	All sizes :	WBNHU4007

THIN WALL LOADING CHAMBER				
DESCRIPTION	ITEM	WEIGHT		
		LB	KG	
ATW-U (3/16")	WATWU4000	7.10	3.20	
ATW-U (1/4")	WATWU4020	7.10	3.20	
BTW-U (3/16")	WBTWU4000	8.14	3.70	
BTW-U (1/4")	WBTWU4020	8.14	3.70	
NTW-U (3/16")	WNTWU4000	8.75	4.00	
NTW-U (1/4")	WNTWU4020	8.75	4.00	

1	Packing plug (3/16") : Packing plug (1/4") :	ATW-U :BTW-U : NTW-U :	WBNHU4011 WBNHU4023
2	Cable packing (3/16") : Cable packing (1/4") :	All sizes : All sizes :	WBNHU4010 WBNHU4022
3	Bushing (3/16") : Bushing (1/4") :	All sizes : All sizes :	WBNHU4009 WBNHU4021
4	Packing house :	ATW-U : BTW-U : NTW-U :	WATWU4008 WBTWU4008 WNTWU4008
5	"O" ring :	ATW-U : BTW-U : NTW-U :	WA2126 WB4002 WN4002
6	Retainer latch :	ATW-U : BTW-U : NTW-U :	WATWU4303 WBTWU4303 WNTWU4303
7	Loading chamber body :	ATW-U : BTW-U : NTW-U :	WATWU4304 WBTWU4304 WNTWU4304
8	Quick detach / male (2) :	All sizes :	WBNHU4006
9	Quick detach / female :	All sizes :	WBNHU4007



PACKING BOXES - ASSEMBLIES				
DESCRIPTION	ITEM	WEIGHT		
		LB	KG	
Wireline Packing Box	A	PBA3000	6.88	3.10
	B	PBB3000	10.50	4.80
	N	PBN3000	17.45	7.90
	H	PBH3000	23.70	10.80
Wireline Thin Wall Packing Box	ATW	PBA3000	6.88	3.10
	BTW	PBBTW3010	10.50	4.80
	NTW	PBNTW3010	17.45	7.90



WIRELINE PACKING BOXES			
1	Quick detach male	All sizes A B	WBNHU4006 PBA3002 PBB3002
2	Body	N H A B	PBN3002 PBH3002 PBA3003 PBB3003
3	Ring (2)	N H A	PBN3003 PBH3003 PBA3004
4	Packing	B N B	PBB3004 PBN3004 PBB3001A
5	Jam nut	N H A B	PBN3001A PBH3001A PBA3001 PBB3001
6	Nut	N H	PBN3001 PBH3001

WIRELINE THINWALL PACKING BOXES			
1	Quick detach male	All sizes	WBNHU4006
2	Body	ATWBTWNTW	PBA3002 PBB3002 PBN3002
3	Ring (2)	ATWBTWNTW	PBA3003 PBBTW3013 PBNTW3013
4	Packing	ATWBTW	PBA3004 PBB3004
5	Jam nut	BTWNTW	PBB3001A PBN3001A
6	Nut	ATWBTWNTW	PBA3001 PBB3001 PBNTW3011

ADAPTOR COUPLING & CARBIDE LOCKING COUPLING



SURFACE STANDARD	
	A TK Adapter Coupling
WA2135	A /ATW Adapter Coupling
WB2135	B Adapter Coupling
WBTW2335	BTW Adapter Coupling
WN2135	N Adapter Coupling
WNTW2364	NTW Adapter Coupling New Style
WH2135	H Adapter Coupling
WHW2135-I	HW Adapter Coupling

SURFACE HEXAGONAL	
WB2135H	B Adapter Coupling Hex
WN2135H	N Adapter Coupling Hex
WH2135H	H Adapter Coupling Hex



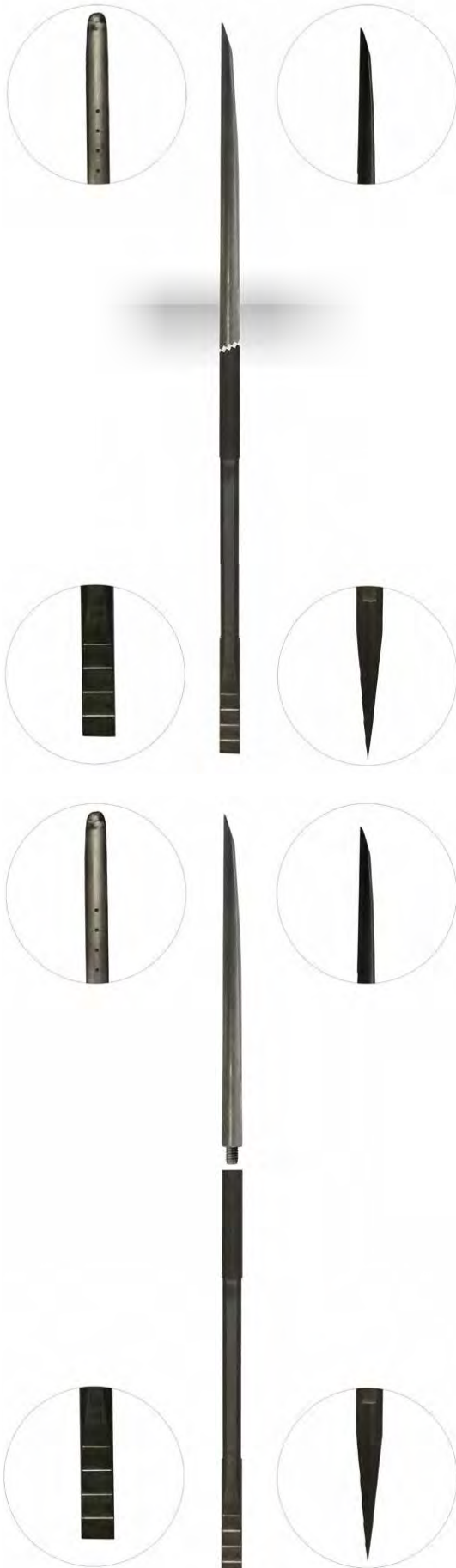
LOCKING COUPLING	
CARBIDE SURFACE	
PIL40104	B Locking Coupling Carbide 2.5" with Tang
PIL40120	BTW Locking Coupling Carbide 2.5" with Tang
	BT Locking Coupling Carbide 2.5" with Tang
PIL50106	N Locking Coupling Carbide 2.5" with Tang
	NTW Locking Coupling Carbide 2.5" with Tang
	NT Locking Coupling Carbide 2.5" with Tang
PIL60100	H Locking Coupling Carbide 2.5" with Tang

LOCKING COUPLING	
STANDARD SURFACE	
WB2134	B Locking Coupling Standard
WBT2173	BT Locking Coupling Standard
WBTW2334	BTW Locking Coupling Standard
WH2134	H Locking Coupling Standard
WH2173	HT Locking Coupling Standard
WN2134	N Locking Coupling Standard
WP2134-3	P Locking Coupling Standard c/w HWT Box
	P Locking Coupling Carbide 2.5" with Tang



LOCKING COUPLING	
HEX SURFACE	
WB2134H	B Locking Coupling Hex
WBT2173H	BT Locking Coupling Hex
WBTW2334H	BTW Locking Coupling Hex
WH2134H	H Locking Coupling Hex
WHT2173H	HT Locking Coupling Hex
WHTW2334H	HTW Locking Coupling Hex
WHW2134-I	HW Locking Coupling Hex
WN2134H	N Locking Coupling Hex
WNT2173H	NT Locking Coupling Hex
WNTW2363	NTW locking Coupling hex





BY-PASS WEDGES	
ITEM	DESCRIPTION
Wedges Size B WEB0900	B By Pass Wedge
Wedges Size N WEN0900	N By Pass Wedge
Wedges Size H WEH0900	H By-Pass Wedge

BY-PASS WEDGES TWO PIECE	
ITEM	DESCRIPTION
Wedges Size B WEB0910	B By Pass Wedge 2 Pcs
Wedges Size N WEN0910	N By Pass Wedge 2 Pcs
Wedges Size H WEH0910	H By-Pass Wedge 2 Pcs

WEDGING PLUG				
DESCRIPTION		ITEM	WEIGHT	
			LB	KG
Wooden plug	A	WEA0100	0.50	0.20
	B	WEB0100	1.00	0.40
	N	WEN0100	3.50	1.60
	H	WEH0100	7.00	3.10
Copper rivets	All sizes :	WE0800	0.25	0.1

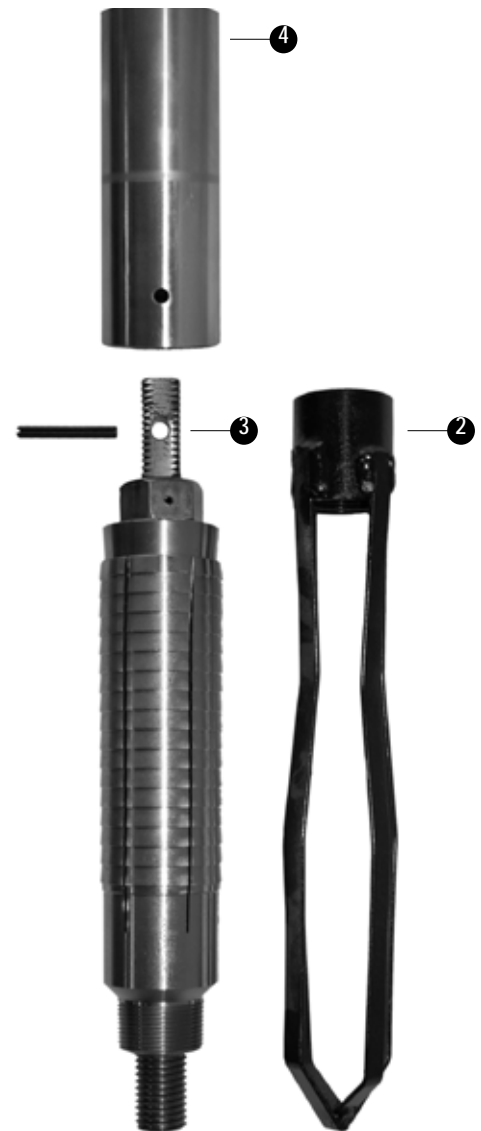
DESCRIPTION		ITEM	WEIGHT	
			LB	KG
Steel plug basket	A	WEA5602	1.40	0.60
	B	WEB5602	1.53	0.70
	N	WEN5602	1.53	0.70
	H	WEH5602	1.53	0.70

DESCRIPTION		ITEM	WEIGHT	
			LB	KG
Wedge plug*	A	WEA5600	5.70	2.60
	B	WEB5600	8.45	3.80
	N	WEN5600	12.10	5.50
	H	WEH5600	17.00	7.70

* Comes complete with pin.

WEDGING PLUG				
DESCRIPTION		ITEM	WEIGHT	
ROD BOX	SQUARE-BOX		LB	KG
A	3/4	WEA5601	1.98	0.9
B	3/4	WEB5601	2.95	1.3
N	3/4	WEN5601	4.56	2.0
H	3/4	WEH5601	7.34	3.3
THIN WALL	SQUARE-BOX			
ATW	3/4	WEATW5611	1.90	0.8
BTW	3/4	WEBTW5611	2.15	1.2
NTW	3/4	WENTW5611	4.10	1.8

* Additional adaptor and part numbers are listed in the Adaptor section.



DRILL RODS ADAPTORS				
DESCRIPTION		ITEM	WEIGHT	
STANDARD ROD PIN	STANDARD ROD PIN		LB	KG
A	AW	A3301301	1.79	0.8
A	B	A3301302	2.17	1.0
A	BW	A3301303	2.70	1.2
A	N	A3301304	3.80	1.7
A	NW	A3301305	4.40	2.0
A	NW	A3301306	5.10	2.3
AW	B	A3301401	2.31	1.1
AW	BW	A3301402	3.12	1.4
AW	N	A3301403	3.75	1.7
AW	NW	A3301404	4.37	1.9
AW	HW	A3301405	5.19	2.4
B	BW	A3301501	3.42	1.6
B	N	A3301502	4.35	2.0
B	HW	A3301503	5.26	2.4
BW	N	A3301601	3.89	1.8
BW	NW	A3301602	4.75	2.2
BW	HW	A3301603	5.90	2.7
N	NW	A3301701	5.12	2.3
N	HW	A3301702	6.74	3.1
NW	HW	A3301801	7.00	3.2

DESCRIPTION		ITEM	WEIGHT	
ROD PIN	STANDARD ROD PIN		LB	KG
A	A	A3537004	1.82	0.8
A	AW	A3537005	2.00	0.9
A	B	A3537006	2.74	1.3
A	BW	A3537007	3.50	1.6
A	N	A3537008	3.90	1.8
A	NW	A3537009	4.45	2.0
A	HW	A3537010	5.15	2.4
B	A	A3537104	3.05	1.4
B	AW	A3537105	3.05	1.4
B	B	A3537106	3.00	1.4
B	BW	A3537107	3.00	1.4
B	N	A3537108	4.60	2.1
B	NW	A3537109	4.75	2.2
B	HW	A3537110	5.50	2.5
N	A	A3537204	4.91	2.2
N	AW	A3537205	4.89	2.2
N	B	A3537206	5.10	2.3
N	BW	A3537207	5.11	2.3
N	N	A3537208	5.28	2.4
N	NW	A3537209	5.81	2.6
N	NW	A3537210	6.70	3.1
H	A	A3537304	6.56	2.9
H	AW	A3537305	7.05	3.2
H	B	A3537306	7.20	3.0
H	BW	A3537307	7.37	3.3
H	N	A3537308	7.55	3.4
H	NW	A3537309	7.67	3.5
H	HW	A3537310	8.05	3.6
NW	AW	A3537311	10.60	4.8
HM	NW	A3537316	10	4.5
HM	BW	A3537326	7.40	3.3
HM	NW	A3537328	7.60	3.4
P	BW	A3537407	7.80	3.5
HW	BW	A3537408	7.80	3.5
P	NW	A3537409	9.70	4.4
HW	NW	A3537410	9.70	4.4





DRILL RODS ADAPTORS				
DESCRIPTION		ITEM	WEIGHT	
THIN WALL ROD PIN	STANDARD ROD PIN		LB	KG
ATW	A	A3566004	2.10	1.0
ATW	AW	A3566005	2.00	1.0
ATW	BW	A3566007	2.20	1.1
ATW	NW	A3566009	2.95	1.3
BTW	A	A3566104	3.10	1.4
BTW	AW	A3566105	3.21	1.5
BTW	BW	A3566107	3.21	1.5
BTW	NW	A3566109	4.70	2.1
NTW	AW	A3566205	5.29	2.4
NTW	BW	A3566207	4.65	2.1
NTW	NW	A3566209	5.08	2.3

THIN WALL ROD PIN	ROD PIN	ITEM	LB	KG
ATW	A	A3566025	1.02	0.5
ATW	B	A3566027	1.10	0.5
BTW	A	A3566125	1.50	0.7
BTW	B	A3566127	1.62	0.7
NTW	A	A3566225	5.20	2.4
NTW	B	A3566227	4.60	2.1
NTW	N	A3566228	5.00	2.3
NTW	H	A3566229	6.45	2.9

DESCRIPTION		ITEM	WEIGHT	
ROD PIN	STANDARD ROD PIN		LB	KG
A	A	A3637004	1.45	0.6
A	AW	A3637005	1.59	0.7
A	B	A3637006	1.76	0.8
A	BW	A3637007	2.00	0.9
A	N	A3637008	2.20	1.0
A	NW	A3637009	3.79	1.7
A	HW	A3637010	4.18	1.9
B	A	A3637104	3.08	1.4
B	AW	A3637105	2.79	1.3
B	B	A3637106	2.64	1.2
B	BW	A3637107	2.21	1.0
B	N	A3637108	2.86	1.3
B	NW	A3637109	3.30	1.5
B	HW	A3637110	3.74	1.7
N	A	A3637204	6.23	2.8
N	AW	A3637205	5.23	2.4
N	B	A3637206	5.00	2.2
N	BW	A3637207	4.48	2.0
N	N	A3637208	3.20	1.4
N	NW	A3637209	3.09	1.4
N	HW	A3637210	2.80	1.2
H	A	A3637304	9.95	4.5
H	AW	A3637305	7.15	3.2
H	B	A3637306	6.37	2.8
H	BW	A3637307	8.52	3.8
H	N	A3637308	8.00	3.6
H	NW	A3637309	7.77	3.5
H	HW	A3637310	2.81	1.3

DRILL RODS ADAPTORS				
DESCRIPTION		ITEM	WEIGHT	
			LB	KG
THIN WALL ROD PIN	STANDARD ROD BOX			
ATW	A	A3666004	1.45	0.6
ATW	AW	A3666005	1.48	0.7
ATW	BW	A3666007	1.60	0.7
ATW	NW	A3666009	1.90	0.8
BTW	A	A3666104	2.45	1.1
BTW	AW	A3666105	3.04	1.4
BTW	BW	A3666107	3.30	1.5
BTW	NW	A3666109	3.74	1.7
NTW	AW	A3666205	6.34	2.9
NTW	BW	A3666207	5.18	2.4
NTW	NW	A3666209	4.50	2.0

THIN WALL ROD PIN	ROD BOX			
ATW	A	A3666025	0.91	0.4
ATW	B	A3666027	2.00	0.9
H	N	A3666125	2.10	1.0
H	NW	A3666127	1.34	0.6
NTW	A	A3666225	5.23	2.3
NTW	B	A3666227	4.83	2.2
NTW	N	A3666228	3.09	1.4
NTW	H	A3566229	6.45	2.9

DESCRIPTION		ITEM	WEIGHT	
			LB	KG
ROD BOX	STANDARD ROD BOX			
A	A	A3437004	1.33	0.6
A	AW	A3437005	1.23	0.5
A	B	A3437006	1.13	0.5
A	BW	A3437007	1.03	0.5
A	N	A3437008	2.40	1.1
A	NW	A3437009	2.52	1.1
A	HW	A3437010		
B	A	A3437104	2.12	1.0
B	AW	A3437105	2.10	1.0
B	B	A3437106	2.65	1.2
B	BW	A3437107	1.98	0.9
B	N	A3437108	2.42	1.1
B	NW	A3437109	2.50	1.1
B	HW	A3437110	2.95	1.3
N	A	A3437204	5.40	2.5
N	AW	A3437205	5.23	2.4
N	B	A3437206	5.00	2.3
N	BW	A3437207	4.48	2.0
N	N	A3437208	3.29	1.5
N	NW	A3437209	3.00	1.4
N	HW	A3437210	2.80	1.3
H	A	A3437304	6.65	3.0
H	AW	A3437305	6.19	2.8
H	B	A3437306	5.12	2.3
H	BW	A3437307	4.95	2.3
H	N	A3437308	3.22	1.5
H	NW	A3437309	3.20	1.5
H	HW	A3437310	3.10	1.4





DRILL RODS ADAPTORS				
DESCRIPTION		ITEM	WEIGHT	
THIN WALL ROD BOX	STANDARD ROD BOX		LB	KG
ATW	A	A3466004	1.00	0.5
ATW	AW	A3466005	0.97	0.4
ATW	BW	A3466007	1.55	0.7
ATW	NW	A3466009	3.10	1.4
BTW	A	A3466104	1.21	0.5
BTW	AW	A3466105	1.29	0.6
BTW	BW	A3466107	1.15	0.5
BTW	NW	A3466109	2.19	1.0
NTW	BW	A3466205	3.47	1.6
NTW	BW	A3466207	3.19	1.4
NTW	NW	A3466209	2.85	1.3

THIN WALL ROD BOX	ROD BOX			
ATW	A	A3466025	0.97	0.4
ATW	B	A3466027	1.46	0.7
BTW	A	A3466125	1.90	0.9
BTW	B	A3466127	1.85	0.8
NTW	A	A3466225	3.65	1.7
NTW	B	A3466227	3.41	1.5
NTW	N	A3466229	3.18	1.4
NTW	H	A3566229	6.45	2.9

DESCRIPTION		ITEM	WEIGHT	
STANDARD ROD BOX	STANDARD ROD BOX		LB	KG
A	AW	A3601301	1.46	0.7
A	B	A3601302	1.57	0.7
A	BW	A3601303	1.86	0.8
A	N	A3601304	3.12	1.4
A	NW	A3601305	3.22	1.5
AW	B	A3601401	1.42	0.6
AW	BW	A3601402	1.57	0.7
AW	N	A3601403	2.80	1.3
AW	NW	A3601404	2.85	1.3
AW	HW	A3601405	3.79	1.7
B	BW	A3601501	1.39	0.63
B	B	A3601502	2.10	0.9
BW	B	A3601601	2.20	1.0
BW	BW	A3601602	2.46	1.1
BW	HW	A3601603	3.46	1.6
N	NW	A3601701	3.26	1.5
N	HW	A3601702	3.95	1.8
NW	HW	A3601801	4.45	2.0

DRILL RODS ADAPTORS				
DESCRIPTION		ITEM	WEIGHT	
ROD BOX	STANDARD ROD PIN		LB	KG
A	A	A3337004	1.45	0.6
A	AW	A3337005	1.45	0.5
A	B	A3337006	1.60	0.7
A	BW	A3337007	1.65	0.7
A	N	A3337008	2.50	1.1
A	NW	A3337009	2.55	1.1
A	HW	A3337010	4.10	1.9
B	A	A3337104	2.45	1.1
B	AW	A3337105	2.45	1.1
B	B	A3337106	2.33	1.0
B	BW	A3337107	2.46	1.1
B	N	A3337108	2.86	1.3
B	NW	A3337109	3.65	1.3
B	HW	A3337110	4.51	2.1
N	A	A3337204	3.85	1.7
N	AW	A3337205	3.79	1.7
N	B	A3337206	3.45	1.6
N	BW	A3337207	4.05	1.8
N	N	A3337208	3.56	1.6
N	NW	A3337209	3.59	1.6
N	HW	A3337210	3.80	1.7
H	A	A3337304	6.76	3.1
H	AW	A3337305	6.76	3.1
H	B	A3337306	6.40	2.9
H	BW	A3337307	6.37	2.9
H	N	A3337308	6.12	2.7
H	NW	A3337309	6.12	2.7
H	HW	A3337310	6.00	2.7
ROD BOX	ROD PIN			
N	HW	A3338211	8.10	3.6
N	HW	A3338311	8.60	3.9

DRILL RODS ADAPTORS				
DESCRIPTION		ITEM	WEIGHT	
THIN WALL ROD BOX	STANDARD ROD PIN		LB	KG
ATW	A	A3366004	1.30	0.6
ATW	AW	A3366005	1.50	0.7
ATW	BW	A3366007	1.80	0.8
ATW	NW	A3366009	2.00	0.9
BTW	A	A3366104	2.45	1.1
BTW	AW	A3366105	2.58	1.2
BTW	BW	A3366107	2.67	1.2
BTW	NW	A3366109	2.80	1.3
NTW	AW	A3366205	3.39	1.5
NTW	BW	A3366207	3.14	1.4
NTW	NW	A3366209	3.59	1.6
THIN WALL ROD BOX	ROD PIN			
ATW	A	A3366025	1.30	0.6
ATW	B	A3366027	1.80	0.8
BTW	A	A3366125	2.40	1.1
BTW	B	A3366127	1.00	0.4
NTW	A	A3366225	3.40	1.5
NTW	B	A3366227	3.15	1.4
NTW	N	A3366228	6.09	2.8





DRILL RODS ADAPTORS				
DESCRIPTION		ITEM	WEIGHT	
STANDARD ROD BOX	STANDARD ROD PIN		LB	KG
A	AW	A3501301	2.00	0.9
A	B	A3501302	2.50	1.3
A	BW	A3501303	2.73	1.2
A	N	A3501304	3.62	1.6
A	NW	A3501305	5.25	2.4
AW	B	A3501401	2.50	1.1
AW	BW	A3501402	2.73	1.2
AW	N	A3501403	3.62	1.6
AW	NW	A3501404	4.00	1.8
AW	HW	A3501405	5.25	2.4
B	BW	A3501501	2.80	1.3
B	N	A3501502	3.00	1.4
BW	N	A3501601	3.59	1.6
BW	NW	A3501602	4.59	2.1
BW	HW	A3501603	5.00	2.2
N	NW	A3501701	4.62	2.1
N	HW	A3501702	5.00	2.2
NW	BW	A3501801	8.36	3.8



DESCRIPTION		ITEM	WEIGHT	
STANDARD ROD PIN	STANDARD ROD BOX		LB	KG
A	AW	A3401301	1.48	0.7
A	B	A3401302	1.60	0.7
A	BW	A3401303	1.70	0.7
A	N	A3401304	1.80	0.8
A	NW	A3401305	1.90	0.9
A	HW	A3401306	2.00	0.9
AW	B	A3401401	2.46	1.1
AW	BW	A3401402	2.80	1.3
AW	N	A3401403	3.20	1.4
AW	NW	A3401404	3.80	1.7
AW	HW	A3401405	4.18	1.9
B	BW	A3401501	2.21	1.0
B	N	A3401502	2.86	1.3
B	NW	A3401503	3.74	1.7
BW	N	A3401601	2.86	1.3
BW	NW	A3401602	3.30	1.5
BW	HW	A3401603	3.74	1.7
N	NW	A3401701	3.09	1.4
N	HW	A3401702	3.50	1.6
NW	HW	A3401801	3.80	1.7

A.P.I. ADAPTORS				
DESCRIPTION		ITEM	WEIGHT	
ROD BOX	A.P.I. REGULAR BOX		LB	KG
NW	2 3/8	A8151303	13.05	5.9
NW	2 7/8	A8151305	16.00	7.3
NW	3 1/2	A8151306	21.00	9.5
N	2 3/8	A8151307	7.30	3.3
N	2 7/8	A8151308	7.30	3.3
H	2 3/8	A8151309	9.25	4.2
H	2 7/8	A8151314	9.25	4.2
H	3 1/2	A8151315	11.35	5.1

DESCRIPTION		ITEM	WEIGHT	
CASING BOX	A.P.I. REGULAR BOX		LB	KG
NW	2 3/8	A8151204	9.45	4.3
HW	2 7/8	A8151205	15.55	7.1
BW	2 3/8	A8151206	8.70	3.9
NW	2 7/8	A8151207	10.30	4.7
NW	3 1/2	A8151208	12.40	5.6
HW	2 3/8	A8151211	15.10	6.8





CASING ADAPTORS				
DESCRIPTION		ITEM	WEIGHT	
STANDARD ROD BOX	W CASING PIN		LB	KG
A	AW	A2211301	3.17	1.4
A	BW	A2211302	6.79	3.0
A	NW	A2211303	11.60	5.3
A	HW	A2211304	19.35	8.8
AW	AW	A2211401	1.20	0.5
AW	BW	A2211402	6.34	2.8
AW	NW	A2211403	11.10	5.0
AW	HW	A2211404	13.20	6.0
BW	BW	A2211601	5.60	2.5
BW	NW	A2211602	10.15	4.6
BW	HW	A2211603	18.35	8.3
BW	PW	A2211604	25.20	11.4
NW	NW	A2211801	9.25	4.2
NW	HW	A2211802	18.55	8.4
NW	PW	A2211803	26.30	11.9
HW	NW	A2211900	6.30	2.8
HW	HW	A2211901	13.70	6.2
HW	PW	A2211902	27.55	12.5
HW	SW	A2211903	35.50	16.1

DESCRIPTION		ITEM	WEIGHT	
ROD BOX	W CASING PIN		LB	KG
A	AW	A2311101	3.15	1.4
A	AW	A2311102	4.40	2.0
B	BW	A2311201	4.45	2.0
B	NW	A2311202	8.50	9.0
N	BW	A2311291	2.08	0.9
N	NW	A2311301	6.65	3.0
N	HW	A2311302	17.20	7.8
H	NW	A2311401	3.00	1.4
HW	HW	A2311402	3.45	1.6
H	HW	A2311502	12.35	5.6
HW	HW	A2311503	6.10	2.7
HW	HW	A2311504	4.50	2.0
P	HW	A2311511	5.00	2.2
H	PW	A2311601	25.70	11.7
HW	PW	A2311602	14.00	6.3
HW	PW	A2311603	14.70	6.7
P	PW	A2311604	14.80	6.7

THIN WALL ROD BOX	W CASING PIN	ITEM	LB	KG
ATW	AW	A2366101	2.83	1.3
ATW	BW	A2366102	4.51	2.0
BTW	BW	A2366201	3.83	1.7
BTW	NW	A2366202	8.30	3.7
NTW	NW	A2366301	5.71	2.6
NTW	HW	A2366302	16.50	7.5

CASING ADAPTORS				
DESCRIPTION		ITEM	WEIGHT	
W CASING PIN	PIPE PIN		LB	KG
A	AW	A2211301	3.17	1.4
A	BW	A2211302	6.79	3.0
A	NW	A2211303	11.60	5.3
A	HW	A2211304	19.35	8.8
AW	AW	A2211401	1.20	0.5
AW	BW	A2211402	6.34	2.8
AW	NW	A2211403	11.10	5.0
AW	HW	A2211404	13.20	6.0
BW	BW	A2211601	5.60	2.5
BW	NW	A2211602	10.15	4.6
BW	HW	A2211603	18.35	8.3
BW	PW	A2211604	25.20	11.4
NW	NW	A2211801	9.25	4.2
NW	HW	A2211802	18.55	8.4
NW	PW	A2211803	26.30	11.9
HW	NW	A2211900	6.30	2.8
HW	HW	A2211901	13.70	6.2
HW	PW	A2211902	27.55	12.5
HW	SW	A2211903	35.50	16.1



DESCRIPTION		ITEM	WEIGHT	
ROD PIN	W CASING BOX		LB	KG
A	AW	A2311101	3.15	1.4
A	AW	A2311102	4.40	2.0
B	BW	A2311201	4.45	2.0
B	NW	A2311202	8.50	9.0
N	BW	A2311291	2.08	0.9
N	NW	A2311301	6.65	3.0
N	HW	A2311302	17.20	7.8
H	NW	A2311401	3.00	1.4
HW	HW	A2311402	3.45	1.6
H	HW	A2311502	12.35	5.6
HW	HW	A2311503	6.10	2.7
HW	HW	A2311504	4.50	2.0
P	HW	A2311511	5.00	2.2
H	PW	A2311601	25.70	11.7
HW	PW	A2311602	14.00	6.3
HW	PW	A2311603	14.70	6.7
P	PW	A2311604	14.80	6.7





PROUDLY SERVING

NORTHERN ONTARIO & BEYOND

WHETHER YOU ARE WORKING IN OUR NEIGHBOURHOOD OR IN THE MIDDLE OF THE NORTHERN ONTARIO WILDERNESS, WE'LL GET IT TO YOUR WORKSITE!



RIGHT HAND WIRELINE ROD TAP

DESCRIPTION		ITEM	WEIGHT	
ROD SIZE	CONNECTION		LB	KG
A	A	TA3000	2.69	1.2
B	B	TB3000	4.70	1.9
N	N	TN3000	7.50	3.4
H	H	TH3000	12.30	5.6
P	P	TP3000	17.40	7.9
HW	HW	TH3001	17.40	7.9
HW	HW	TH5000	16.00	7.3
Thin Wall				
ATW	ATW	TATW6500	2.94	1.3
BTW	BTW	TBTW6500	4.94	2.3
NTW	NTW	TNTW6500	8.28	3.8

LEFT HAND WIRELINE ROD TAP

DESCRIPTION		ITEM	WEIGHT	
ROD SIZE	CONNECTION		LB	KG
A	A	TA3000L	2.70	1.2
B	B	TB3000L	4.50	2.1
N	N	TN3000L	7.36	3.3
H	H	TH3000L	14.50	6.6
Thin Wall				
ATW	ATW	TATW6500L	2.90	1.3
BTW	BTW	TBTW6500L	4.90	2.2
NTW	NTW	TNTW6500L	8.20	3.7

RIGHT HAND WIRELINE ROD FULL GRIP TAP

DESCRIPTION		ITEM	WEIGHT	
ROD SIZE	CONNECTION		LB	KG
A	A	TA3000L	2.70	1.2
B	B	TB3000L	4.50	2.1
N	N	TN3000L	7.36	3.3
H	H	TH3000L	14.50	6.6
Thin Wall				
ATW	ATW	TATW6500L	2.90	1.3
BTW	BTW	TBTW6500L	4.90	2.2
NTW	NTW	TNTW6500L	8.20	3.7



STANDARD RELEASING SPEAR- N	
DESCRIPTION	ITEM
Complete Spear- AW Box	U22-22-300NG
Mandrel	U22-001
Grapple- N Rod	U22-005
Release Ring	U22-003
Bullnose Nut	U22-002
AW Rod- 5' with Coupling	RAW1005

STANDARD RELEASING SPEAR- H	
DESCRIPTION	ITEM
Complete Spear- AW Box	U22-22-400HQ
Mandrel	U22-001
Grapple- H Rod	U22-006
Release Ring	U22-003
Bullnose Nut	U22-002
AW Rod- 5' with Coupling	RAW1005

• While available blank, our stock units have a AW box machined into the top of the mandrel to allow for connection with standard subs.

Assembly

With left-hand rotation, screw the grapple onto the mandrel from the lower pin end. Slip the release ring onto the mandrel and make up the nut to the mandrel aligning the cams. Screw the grapple down the mandrel against the release ring until hand tight.

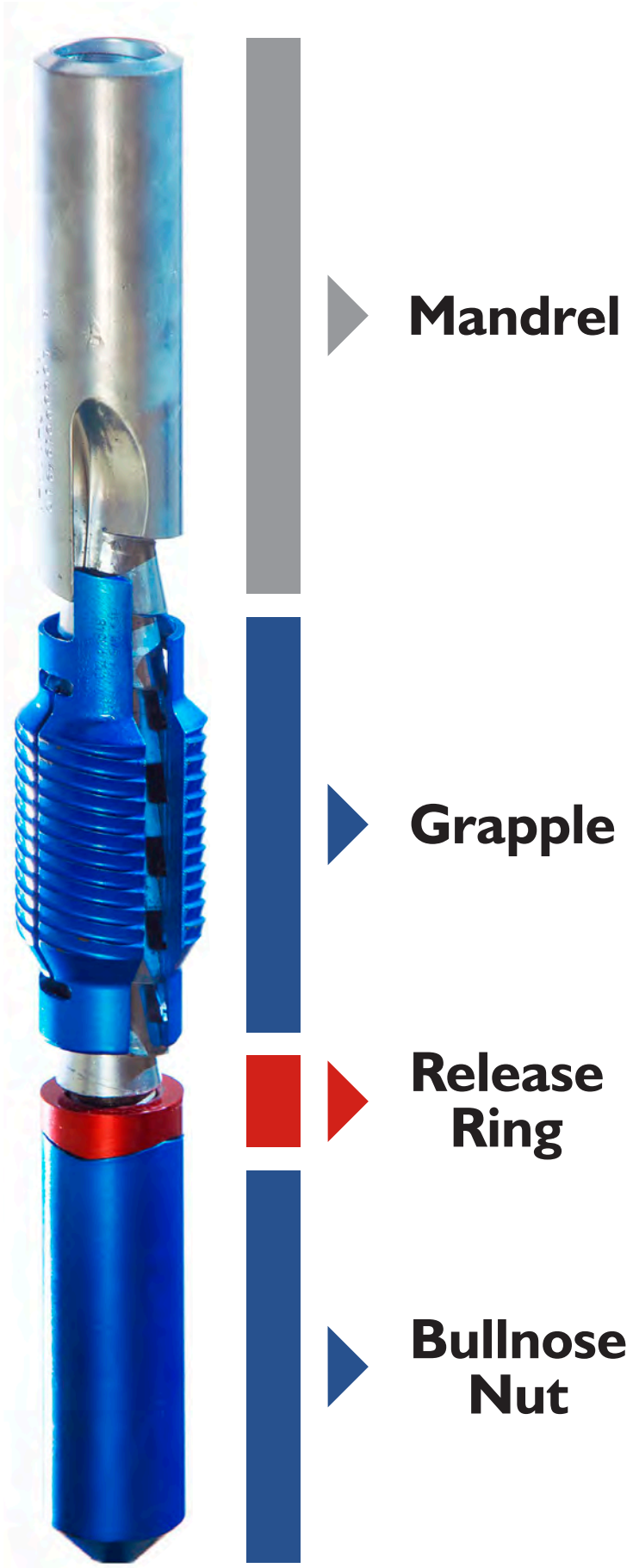
The Spear Assembly is now in its run-in position.

Engaging the Fish

The Releasing Spear is made up to the bottom of the fishing string and lowered to the desired depth into the fish. Rotate the mandrel one full turn to the left to turn the mandrel through the grapple and move the grapple into engaging position. Pulling straight up will cause the tapers on the mandrel to expand the grapple and allow it to positively engage the fish.

Releasing the Fish

To release the fish, bump down and then make two to three rotations to the right. This right hand rotation allows the mandrel to move up through the grapple thereby placing the grapple against the release ring and putting the spear in release position. A straight upward pull will release the spear from the fish. Continue with slow, right-hand rotation when coming out of the fish.



RIGHT HAND CASING TAP				
DESCRIPTION		ITEM	WEIGHT	
ROD SIZE	CONNECTION		LB	KG
EW	EW	TEW1001	3.01	1.8
AW	AW	TAW1002	5.40	2.5
BW	BW	TBW1003	8.50	3.9
NW	NW	TNW1004	11.25	5.1
HW	HW	THW1005	21.65	9.8
AW	A	TAW3000	6.10	2.7
BW	B	TBW3000	8.15	3.7
NW	N	TNW3000	11.50	5.2
HW	H	THW3000	22.95	10.4
PW	P	TPW3000	29.80	13.5
PW	HW	TPW3001	29.80	13.5
AW	ATW	TAW6500	6.20	2.8
BW	BTW	TBW6500	8.40	3.8
NW	NTW	TNW6500	11.50	5.2



RIGHT HAND STANDARD ROD BELL TAP				
DESCRIPTION		ITEM	WEIGHT	
TAP SIZE	CONNECTION ROD BOX (RH)		LB	KG
EW	EW	TESB1001	2.60	1.2
AW	AW	TASB1002	3.20	1.5
BW	BW	TBSB1003	3.80	1.7
NW	NW	TNSB1004	4.44	2.0
HW	HW	THSB1005	6.10	2.8

LEFT HAND STANDARD ROD BELL TAP				
DESCRIPTION		ITEM	WEIGHT	
TAP SIZE	CONNECTION ROD BOX (LH)		LB	KG
EW	EW	TESB1001L	2.60	1.2
AW	AW	TASB1002L	3.20	1.5
BW	BW	TBSB1003L	3.80	1.7
NW	NW	TNSB1004L	4.40	2.0
HW	HW	THSB1005L	6.10	2.8





WIRELINE ROD BELL TAP				
DESCRIPTION		ITEM	WEIGHT	
ROD SIZE	CONNECTION		LB	KG
EW	EW	TEW1001	3.01	1.8
AW	AW	TAW1002	5.40	2.5
BW	BW	TBW1003	8.50	3.9
NW	NW	TNW1004	11.25	5.1
HW	HW	THW1005	21.65	9.8
AW	A	TAW3000	6.10	2.7
BW	B	TBW3000	8.15	3.7
NW	N	TNW3000	11.50	5.2
HW	H	THW3000	22.95	10.4
PW	P	TPW3000	29.80	13.5
PW	HW	TPW3001	29.80	13.5
AW	ATW	TAW6500	6.20	2.8
BW	BTW	TBW6500	8.40	3.8
NW	NTW	TNW6500	11.50	5.2



RIGHT HAND STANDARD ROD COUPLING TAP				
DESCRIPTION		ITEM	WEIGHT	
TAP SIZE	CONNECTION (RH)		LB	KG
EW	EW	TE1001	1.30	0.60
AW	AW	TA1002	2.19	0.90
BW	BW	TB1003	3.89	1.70
NW	NW	TN1004	6.30	2.90
HW	HW	TH1005	14.87	6.70

LEFT HAND STANDARD ROD COUPLING TAP				
DESCRIPTION		ITEM	WEIGHT	
TAP SIZE	CONNECTION (LH)		LB	KG
EW	EW	TE1001L	2.60	1.2
AW	AW	TA1002L	3.20	1.5
BW	BW	TB1003L	3.80	1.7
NW	NW	TB1004L	4.40	2.0
HW	HW	TH1005L	6.10	2.8

ROD & CASING CUTTER: BW CASING			
DESCRIPTION	ITEM	WEIGHT	
		LB	KG
BW Casing /N Rod Cutter Assy.	CCN3000	17.50	8.00
Repair Kit • Roller Stabilizer (2) • Screw Roller (2) • Tool Holder (3/8" Pin) (1) • Tool Holder (1/4" Pin) (1) • Cutter Knife (1) • Piston Spring Pin (1) • Set Screw Tool Bit (1)	CCBN3020		

1	Retaining plug	WB2123
2	Steel ball (3/4")	WB2121
3	Valve	CCBNH3014
4	Stopper lock nuts	CCBNH3017C
5	Stopper base	CCBNH3017A
6	Stopper screw	CCBNH3017B
7	"B-N-H" valve stopper-assy	CCBNH3017
8	Piston	CCBNH3011
9	Piston spring pin(1/4" X 1 5/8")	CCBNH3012
10	Spring piston	CCBNH3010
11	Rod piston	CCBNH3009
12	Tool holder pin(1/4" x 5/8")	CCBNH3008
13	Tool holder (3/8" pin)	CCBNH3006
14	Holder tool bit	CCBN3004
15	Cutter knife	CCBNH3007C
16	Set screw tool bit	CCBNH3005
17	Valve body B box	CCBW3013
18	Body cutter	CCBW3003
19	Roller stabilizer (2)	CCBN3002
20	Roller screw (2)	CCBNH3001
21	Conversion Kit NTW	CCBNH3007N





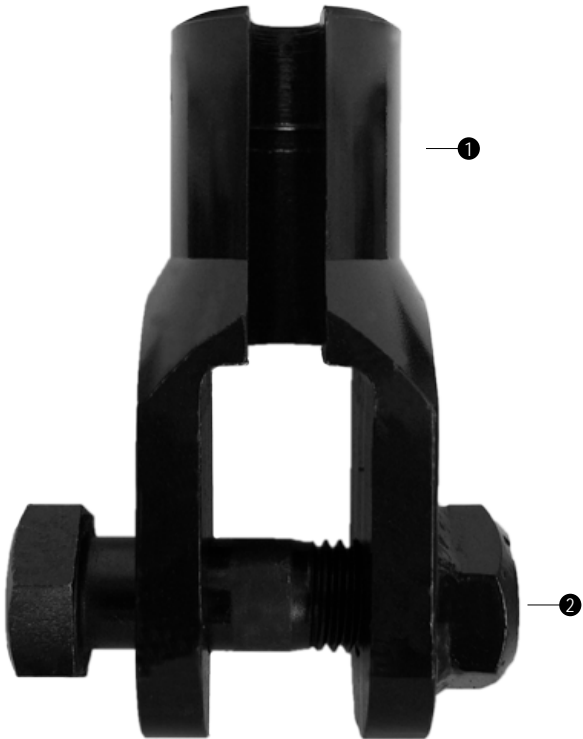
ROD & CASING CUTTER: NW CASING			
DESCRIPTION	ITEM	WEIGHT	
		LB	KG
NW Casing /H Rod Cutter Assy.	CCH3000	25.00	11.40
Repair Kit <ul style="list-style-type: none"> • Roller Stabilizer (2) • Screw Roller (2) • Tool Holder (3/8" Pin) (1) • Tool Holder (1/4" Pin) (1) • Cutter Knife (1) • Piston Spring Pin (1) • Set Screw Tool Bit (1) 		CCBN3020	

1	Retaining plug	WB2123
2	Steel ball (3/4")	WB2121
3	Valve	CCBNH3014
4	Stopper lock nuts	CCBNH3017C
5	Stopper base	CCBNH3017A
6	Stopper screw	CCBNH3017B
7	"B-N-H" valvestopper assy	CCBNH3017
8	Piston	CCBNH3011
9	Piston spring pin(1/4" X 1 5/8")	CCBNH3012
10	Spring piston	CCBNH3010
11	Rod piston	CCBNH3009
12	Tool holder pin(1/4" x 5/8")	CCBNH3008
13	Tool holder (3/8" pin)	CCBNH3006
14	Holder tool bit	CCBN3004
15	Cutter knife	CCBNH3007C
16	Set screw tool bit	CCBNH3005
17	Valve body N box	CCNW3013
18	Body cutter	CCNW3003
19	Roller stabilizer (2)	CCBN3002
20	Roller screw (2)	CCBNH3001

ROD & CASING CUTTER: HW CASING			
DESCRIPTION	ITEM	WEIGHT	
		LB	KG
hW Casing /P Rod Cutter Assy.	CCP3000	38.70	17.60
Repair Kit <ul style="list-style-type: none"> • Roller Stabilizer (2) • Screw Roller (2) • Tool Holder (3/8" Pin) (1) • Tool Holder (1/4" Pin) (1) • Cutter Knife (1) • Piston Spring Pin (1) • Set Screw Tool Bit (1) 	CCH3020		

1	Retaining plug	WB2123
2	Steel ball (3/4")	WB2121
3	Valve	CCBNH3014
4	Stopper lock nuts	CCBNH3017C
5	Stopper base	CCBNH3017A
6	Stopper screw	CCBNH3017B
7	"B-N-H" valve stopperassy	CCBNH3017
8	Piston	CCBNH3011
9	Piston spring pin (1/4" X 1 5/8")	CCBNH3012
10	Spring piston	CCBNH3010
11	Rod piston	CCBNH3009
12	Tool holder pin (1/4" x5/8")	CCBNH3008
13	Tool holder (3/8" pin)	CCBNH3006
14	Holder tool bit	CCH3004
15	Cutter knife	CCBNH3007C
16	Set screw tool bit	CCBNH3005
17	Valve body H box	CCHW3013
18	Body cutter	CCHW3003
19	Roller stabilizer (2)	CCH3002
20	Roller screw (2)	CCBNH3001





DESCRIPTION	PART NO	WEIGHT	
		LB	KG
B Size			
B rod box-box to BW Casing Pin	A3091313	4.18	1.9
Extension			
B rod pin-pin 5 5/8 (standard)	A30v96311	2.39	1.1
B rod pin-pin 3 13/16 (metric)	A3096312	1.79	0.8
N Size			
N rod box-box to NW Casing Pin	A3096413	6.28	2.9
Extension			
N rod pin-pin 13 3/4 (standard)	A3096411	6.56	2.9
N rod pin-pin 11 7/8 (metric)	A3096412	5.73	2.6
H Size			
H rod box-box to HW Casing Pin	A3096513	12.00	5.5
Extension			
H rod pin-pin 8 1/2 (standard)	A3096511	6.41	2.9
H rod pin-pin 6 5/8 (metric)	A3096512	5.33	2.4
Thin Wall			
BTW Size			
BTW rod box-box to BW Casing Pin	A3091315	3.54	1.6
Extension			
BTW rod pin-pin (standard)	A3096313	2.81	1.3
BTW rod pin-pin (metric)	A3096314	2.60	1.2
NTW Size			
NTW rod box-box to NW Casing Pin	A3091415	5.34	2.4
Extension			
NTW rod pin-pin (standard)	A3096414	6.78	3.0
NTW rod pin-pin (metric)	A3096415	4.39	1.9

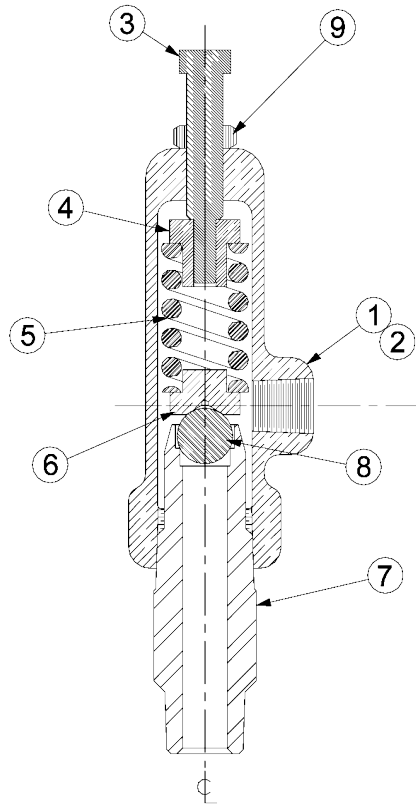
CABLE CLEVIS			
DESCRIPTION	ITEM	WEIGHT	
		LB	KG
Clevis Assy (5/8")	CL002	7.38	3.40

1	Body 5/8"	CL002A
2	Pin 5/8"	CL0012

PRESSURE RELIEF VALVE			
DESCRIPTION	ITEM	WEIGHT	
		LB	KG
Relief Valve Assy	RV0016	7.50	3.40
Capacity: 0 - 1 500 p.s.i. Maximum load: 1 500 p.w.i. / 10.3 MPa			

	DESCRIPTION	ITEM
	Valve Complete	AM-3546492
1	Body	AM-3546493
2	Adjusting Screw	AM-21841
3	Spring Guide	AM-3546494
4	Spring	AM-24313
5	Ball Holder	AM-3546495
6	Seat	AM-3546596
7	Ball 1516	AM-21837
8	Jam Nut	AM-22179

DIMENSIONS 8-1/2" high x 3" wide
 OUTLET PORT 3/4" NPT
 INLET PORT 1" NPT
 PRESSURE 1,100 PSI

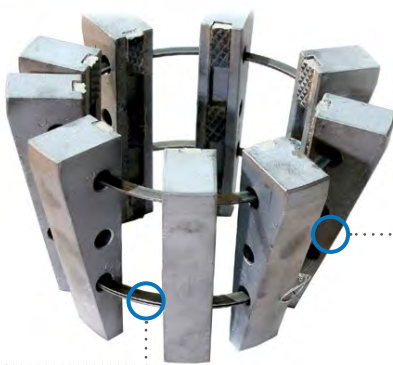
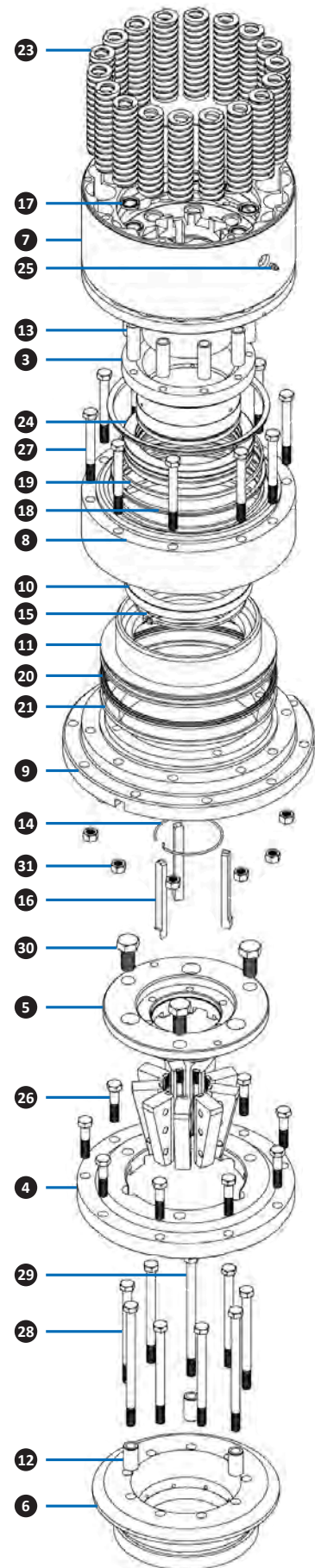


PROdrill

BOYLES 12HH CHUCK ASSEMBLY (12.5°)

WIRELINE COMPONENTS

BOYLES 12HH CHUCK ASSEMBLY (12.5°)				
ID #	QTY	REPLACES	DESCRIPTION	ITEM
			Chuck assy.	U551000
3	1	3506928	Actuator Sleeve	U550001
4	1	3506906	Top Cap Holder	U550003
5	1	3506907	Top Cap Adapter	U550004
6	1	2920390	Chuck Bowl	U550005
7	1	3506870	Chuck Housing	U550006
8	1	3506909	Cylinder	U550007
9	1		Chuck Adapter	U550008
10	1	3506882	Back Up Ring	U550009
11	1	3506908	Piston	U550010
12	3	3506878	Top Spacer	U550011
13	9	3506880	Bottom Spacer	U550012
14	1	3506879	Key Locking Spring	U550013
15	1	5054078	Retaining Ring	U550014
16	3	3506881	Key	U550015
17	9	5040192	CR-Radial Shaft Seal	U550016
18	1	5035016	U-Cup Seal	U550017
19	1	5035018	Wear Ring	U550018
20	1	5035015	U-Cup Seal	U550019
21	1	5035017	Wear Ring	U550020
22	1	5041022	V-Ring	U550021
23	18	5200517	Spring	U550023
24	1	5000199	Thrust Bearing	U550024
25	1	5200812	Grease Fitting 1/4-28 UNF	WB2120
26	9	5115303	Hex Bolt 1/2-13 x 2-1/4	CSG8-008-13X02.25
27	10	5125103	Hex Bolt 1/2-13 x 4-1/2	CSG8-008-13X04.5
28	6	5125503	Hex Bolt 1/2-13 x 6-1/2	CSG8-008-13X06.5
29	3	5125803	Hex Bolt 1/2-13 x 8	CSG8-008-13X08
30	3	5119006	Hex Bolt 3/4-10 x 1-1/2	CSG8-012-13X01.5
31	10	5173024	Hex Nut 0.500-13	NUT8-008
A	1		Seal Kit 12HH	U550022



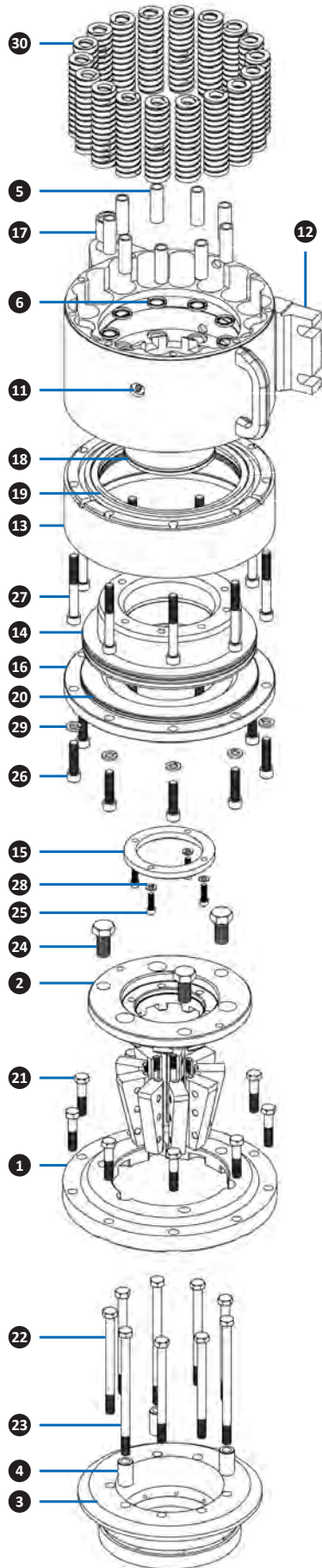
JAW RETAINING RING	
DESCRIPTION	ITEM
5-5/16"	U30200

USINAGE X-SPEC INC.

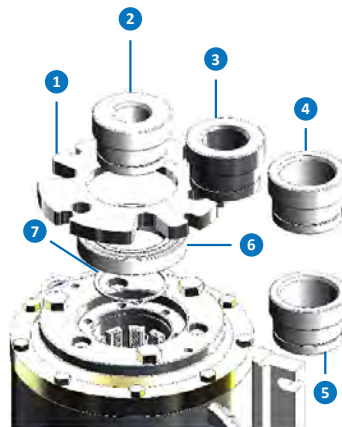
The Boyles 12HH Chuck Assembly features spring-applied, hydraulic release clamping and a rod capacity of 3.500" OD (H W/L). The holding capacity is 24,000 lbs, and all parts are fabricated from high strength alloy steel. All wear parts are nitrogen treated for increased hardness and corrosion protection.

BOYLES B20, 12HH 12.5° JAW SET	
DESCRIPTION	ITEM
B	U301601
N	U301602
H / NW	U301603
BW	U301606

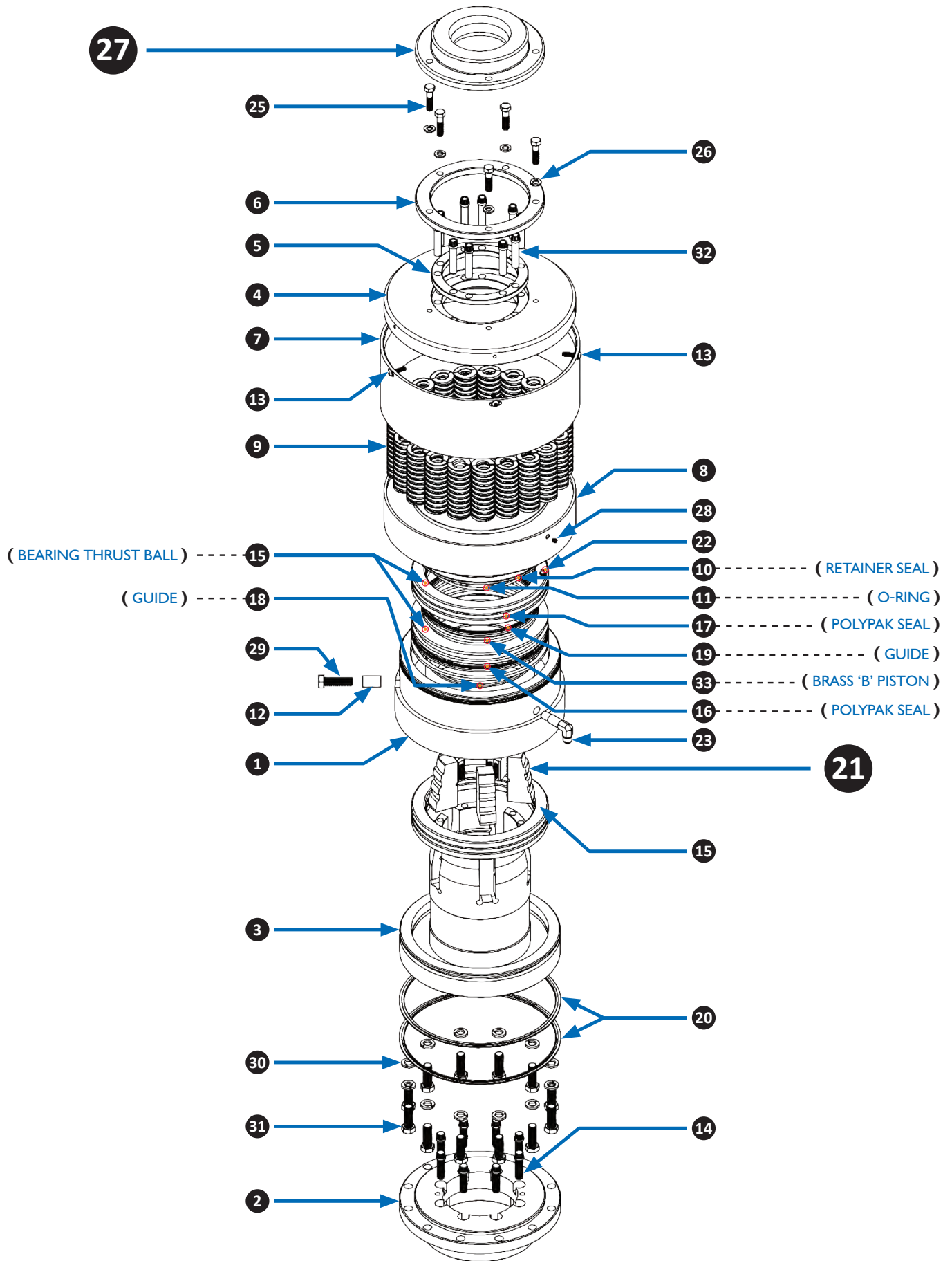
BOYLES I2HH CLAMP ASSEMBLY (12.5°)



BOYLES I2HH CLAMP ASSEMBLY (12.5°)				
ID #	QTY	REPLACES	DESCRIPTION	ITEM
1	1	3506906	Top Cap Holder	U550003
2	1	3506907	Top Cap Adapter	U550004
3	1	2920390	Chuck Bowl	U550005
4	3	3506878	Top Spacer	U550011
5	9	3506880	Bottom Spacer	U550012
6	9	5040192	CR-Radial Shaft seal	U550016
7	1	5035016	U-Cup Seal	U550017
8	1	5035018	Wear Ring	U550018
9	1	5035015	U-Cup Seal	U550019
10	1	5035017	Wear Ring	U550020
11	1	5200812	Grease Fitting Straight 1/4-28 UNF	WB2120
12	1	2920455	Rod Clamp Housing	U550040
13	1	2920332	Clamp Cylinder	U550041
14	1	2920331	Piston	U550042
15	1	2920452	Bushing Retainer	U550043
16	1	2920333	Cylinder Cap	U550044
17	2	5020126	Bushing	U550045
18	1	5030250	O-Ring	U550055
19	1	5030269	O-Ring	U550056
20	1	5030274	O-Ring	U550057
21	9	5115303	Hex Bolt 1/2-13 x 2-1/4	CSG8-008-13X02.25
22	6	5125503	Hex Bolt 1/2-13 x 6-1/2	CSG8-008-13X06.5
23	3	5125803	Hex Bolt- 1/2-13 UNC x 8	CSG8-008-13X08
24	3	5119006	Hex Bolt- 3/4-10 UNC x 1-1/2	CSG8-012-10X01.5
25	4	5102616	Hex Socket Head Cap Screw- 5/16-18 UNC x 1	SHCS-005-18X01
26	9	5115216	Hex Socket Head Cap Screw- 1/2-13 UNC x 2	SHCS-008-13X02
27	9	5125016	Hex Socket Head Cap Screw- 1/2-13 UNC x 4	SHCS-008-13X04
28	4	5180405	Spring Lock Washer- 5/16	WLG8-005
29	9		Spring Lock Washer- 1/2	WLG8-008
30	18	5200517	Spring	U550023
31	1		Seal Kit	U550058



I2HH H ROD CLAMP BUSHINGS		
ID #	DESCRIPTION	ITEM
1	Wear Bushing Support Plate	U550029
2	Bushing- A W/L	U550030
3	Busing- B W/L	U550031
4	Bushing- N W/L	U550032
5	Bushing BW Casing	U550033
6	Ball Bearing	U6018-2RS
7	External Snap Ring	U5100354





The Christensen "P" Chuck features spring-applied, hydraulic release clamping and a rod capacity of 4.625" OD (P W/L).

The holding capacity is 40,000 lbs, and all parts are fabricated from high strength alloy steel.

All wear parts are nitrogen treated for increased hardness and corrosion protection.



CHRISTENSEN "P" CHUCK				
POS	QTY	REPLACES	DESCRIPTION	ITEM
			Christensen P Chuck Jaw 4-5/8	U561000
1	1	164287-0	Cylinder 4-5/8 Chuck	U560004
2	1	164281-0	Plate Adapter 4-5/8 Chuck	U560008
3	1	164280-0	Base 4-5/8 Chuck "P" Head	U560001
4	1	162313-0	Top Plate	U560009
5	1	150035-518	Spacer	U560012
6	1	150035-456	Ring	U560011
7	1	164375-0	Guard Spring	U560006
8	1	160943-0	Bowl Chuck	U560002
9	12	150079-101	Spring Compression	U560014
10	1	162311-0	Retainer Seal	U560010
11	1	090108-259	O-Ring	U560016
12	1	164281-1	Spacer Tube	U560013
13	5	091289-3	Socket head Cap Screw- 1/4-20x1	U560037
14	8	154397-17	Bolt Special- 1-1/2 Long	U560023
15	2	090000-2	Bearing Thrust Ball	U560005
16	1		Polypak Seal	U560106
17	1		Polypak Seal	U560109
18	1		Guide	U560108
19	1		Guide	U560107
20	4	150045-148	Brush Seal	U560003
21	5	362703-1	Christensen P Chuck Jaw	U302003
22	3	090359-17	Grease Fitting, Straight 1/4-28UNF	U560025
23	1	090740-32	90° Male JIC/Mail NPT Extra Long	U560030
24	1	090304-2	Hex Plug, 1/4 NPT	U560031
25	5	090214-143	Hex Bolt, 3/8-16 UNC x 1-1/2	CSG8-006-16x01.5
26	5		Spring Lock Washer, 3/8	WLG8-006
27	1	162314-2	Guide Bushing- H Rod	U560022
28	2	090406-16	Screw, 1/2-28 UNF x 1-1/4	SHCS-008-28X01.25
29	1		Hex Bolt, 1/2-20 UNF x 1-3/4	CSG8-008-20x01.75
30	12		Spring Lock Washer, 1/2	WLG8-008
31	12	090214-172	Hex Bolt, 1/2-20 UNF x 1-1/2	CSG8-008-20x01.5
32	10	154397-18	Bolt Special- 2 Long	U560024
33	1	160947-0	B Piston, Brass	U560007
34	1		Seal Kit c/w Piston	U560110
34	1		Seal Kit without Piston	

CHRISTENSEN / ACKER JAW SET	
SIZE	ITEM
B	U302001
N	U302002
H & NW	U302003
PQ & HW	U302004
BW	U302005

CHRISTENSEN CHUCK JAW SPRINGS	
SIZE	ITEM
B	U560040
N	U560041
BW Csg	U560041
H	U560042
PQ	U560043

CHRISTENSEN GUIDE BUSHINGS	
SIZE	ITEM
B	U560020
N	U560021
BW Csg	U560037
H	U560022
PQ	U560036

**HIGH QUALITY
CARBIDE
INSERTS**

**CAN BE USED AS
DIRECT
REPLACEMENTS**



BOYLES P CLAMP JAW SETS	
DESCRIPTION	ITEM
B	U301701
N	U301702
H & NW	U301703
PQ & HW	U300004
BW	U301705

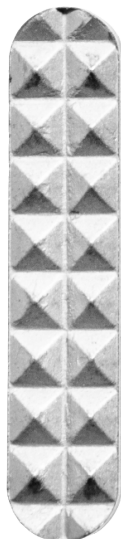
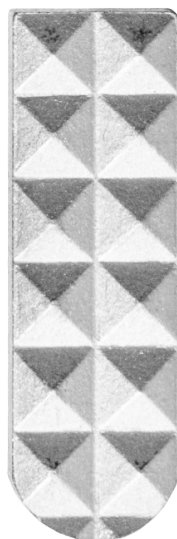
BOYLES B10 12° JAW SET	
DESCRIPTION	ITEM
AW	U301101
BW	U301102
BTW	U301001

BOART STYLE JAW SET. 3 JAWS	
DESCRIPTION	ITEM
A/WL	U300001
B W/L	U300002
N W/L	U300003
H W/L- NW	U300004
BW Casing	U300005

A

B

C



CARBIDE INSERTS	
DESCRIPTION	ITEM
Longyear Style with square ends	U31100
Boyles Style rounded one end and square other	U31101
Christensen/Acker style Rounded both ends	U31102

- A** • Longyear Chuck Carbide Insert
Square at both ends

- B** • Boyles Chuck Carbide Insert
Square at one end, rounded at the other

- C** • Christensen / Acker Chuck Carbide Insert
Rounded at both ends



CARBON BIT PLUGS	
SIZE	ITEM
BQ	PIL46000
NQ	PIL56000
H	PIL56002
N2	PIL66000

CEMENT & WEDGING PLUG	
SIZE	ITEM
A	M9021100
B	M9051101
H	M9051103
N	M9051102
P	M9051104

DISPLACEMENT PLUGS	
SIZE	ITEM
B W/L	M9050026
N W/L	M9050027
H W/L	M9050028

- These plugs provide protection to the bit and core.

- Built with a solid aluminium and urethane construction, MBI offers an effective and easy plugging solution.
- The plug is pumped through the open rods and can be set at any desired level. When the plug leaves the rods, springs force the dogs out against the hole and the plug is set. To use the MBI cementing & wedging plug, lower the open rods to the desired level.
- If caving is present, you may have to put a shoe bit on the rods. Insert the plug into the top rod and then remove the wire holding the dogs in and push plug well into the rod. Proceed to pump the plug through the rods; when the plug leaves the rods, a noticeable increase in pump pressure will occur.
- To force the tapered section of the plug into the dogs, lightly push the rods down on the plug. The MBI cementing & wedging plug is now set and cementing can proceed.

- Displacement plugs are used in diamond drilling wireline drill rods and casing for placing cement plugs or casing pack fluid.
- The plugs are made of natural rubber and are designed to allow positive placement of a casing pack in the casing annulus or a column of cement grout in the hole without dilution by the drilling fluid while pumping.
- The displacement plug, once used, is disposable and is drilled out after the casing pack or cement slurry is pumped into position.
- Primary applications include placing casing pack, plugging back with cement, and grouting.



HOISTING PLUG HP60000			
DESCRIPTION	ITEM	WEIGHT	
		LB	KG
Hoisting Plug Assy. AW Rod Box Assy.	HP60000	10.79	4.90
Repair Kit Hoisting Plug • Bearing (2) • Spindle (1) • Cotter Pin (1)	HP60018	2.61	1.20

1	Bail	HP60010
2	Spindle	HP60014
3	Cotter pin (1/8" x 1 3/4")	HP60017
4	Nut	HP60011
5	Bearing assy	HP60012
6	Grease fitting	WB2120
7	Body AW rod box	HP60013

ROD ADAPTORS		
ROD PIN	STANDARD ROD PIN	ITEM
A	AW	A3537005
B	AW	A3537105
N	AW	A3537205
NM	AW	A3537211
H	AW	A3537305
HM	AW	A3537324

THIN WALL ROD PIN	STANDARD ROD PIN	ITEM
ATW	AW	A3566005
BTW	AW	A3566105
NTW	AW	A3566205

* Additional adaptor and part numbers are listed in the Adaptor section.

HOISTING PLUG			
DESCRIPTION	ITEM	WEIGHT	
		LB	KG
Hoisting Plug Assy. NW Rod Box Assy.	HPI30000	17.10	7.89
Repair Kit Hoisting Plug • Bearing (1) • Spindle (1) • Cotter Pin (1)	HPI30017	2.87	1.30

1	Bail	HPI30010
2	Spindle	HPI30014
3	Cotter pin (3/16" x 2 1/2")	HPI30016
4	Nut	HPI30011
5	Bearing assy	HPI30012
6	Grease fitting	WB2120
7	Body NW box	HPI30013

CASING ADAPTORS		
ROD PIN	CASING PIN	ITEM
NW	BW	A2212800
NW	NW	A2212801
NW	HW	A2212802
NW	PW	A2212803

ROD ADAPTORS		
ROD PIN	STANDARDROD PIN	ITEM
A	NW	A3537009
B	NW	A3537109
N	NW	A3537209
NM	NW	A3537213
H	NW	A3537309
HM	NW	A3537328
P	NW	A3537409
HW	NW	A3537410

THIN WALLROD PIN	STANDARDROD PIN	ITEM
ATW	NW	A3566009
BTW	NW	A3566109
NTW	NW	A3566209

* Additional adaptor and part numbers are listed in the Adaptor section.





HOISTING PLUG			
DESCRIPTION	ITEM	WEIGHT	
		LB	KG
Hoisting Plug Assy. NW Rod Box Assy.	HP300000	17.10	7.89
Repair Kit Hoisting Plug • Bearing (1) • Spindle (1) • Cotter Pin (1)	HP300050	35.00	15.90

1	Bail	HP300060
2	Spindle	HP300064
3	Cotter pin (3/16" x 2 1/2")	HP130016
4	Nut	HP300061
5	Bearing assy	HP300062
6	Grease fitting	WB2120
7	Body NW rod box	HP300063

CASING ADAPTORS		
ROD PIN	CASING PIN	ITEM
NW	BW	A2212800
NW	NW	A2212801
NW	HW	A2212802
NW	PW	A2212803

ROD ADAPTORS		
ROD PIN	STANDARDROD PIN	ITEM
A	NW	A3537009
B	NW	A3537109
N	NW	A3537209
NM	NW	A3537213
H	NW	A3537309
HM	NW	A3537328
P	NW	A3537409
HW	NW	A3537410

THIN WALLROD PIN	STANDARDROD PIN	ITEM
ATW	NW	A3566009
BTW	NW	A3566109
NTW	NW	A3566209

* Additional adaptor and part numbers are listed in the Adaptor section.



COMPACT WATER SWIVEL			
DESCRIPTION	ITEM	WEIGHT	
		LB	KG
Compact Water Swivel Assy. AW Rod Assy.	WS1000	14.50	6.60
Repair Kit Compact • "O" Rings - 3 sizes (6 of each size) • Spring washer (2) • "V" packing set (2) • Wear sleeve (2) • Ball bearing (1) • Felt seal (2)	WS1050	1.75	0.80

1	"O" ring	WS1011
2	Spindle	WS1021
3	"O" ring	WS1022
4	Ball bearing	WS1018
5	Body	WS1016
6	Grease fitting	WB2120
7	Felt seal	WS1020
8	Cap	WS1010
9	"O" ring	WS1013
10	Spring washer	WS1012
11	"V" packing set	WS1014
12	Wear sleeve	WS1015
13	Packing cage	WS1017

SPINDLE EXTENSIONS	
DESCRIPTION	ITEM
AW rod box	WS1123
A rod pin	WS1024
A rod box	WS1025
A rod pin	WS1026
B rod pin	WS1027
ATW rod pin	WS1028
BTW rod pin	WS1029
N rod pin	WS1030

COMPACT PLUS WATER SWIVEL			
DESCRIPTION	ITEM	WEIGHT	
		LB	KG
Compact Plus Water Swivel Assy. AW Rod Box.	WSI100	16.70	7.60
Repair Kit Compact Plus	WSI150		
<ul style="list-style-type: none"> • "O" Rings - 3 sizes (6 of each size) <ul style="list-style-type: none"> • Spring washer (2) • "V" packing set (2) • Wear sleeve (2) • Ball bearing (1) • Felt seal (2) • Ball bearing thrust (1) 			

1	"O" ring	WSI011
2	Spindle	WSI121
3	"O" ring	WSI022
4	Thrust bearing	WSI120
5	Body	WSI113
6	Grease fitting	WB2120
7	Felt seal	WSI020
8	Cap	WSI010
9	"O" ring	WSI013
10	Spring washer	WSI012
11	"V" packing set	WSI014
12	Wear sleeve	WSI015B
13	Packing cage	WSI017
14	Ball bearing	WSI018
15	Upper body	WSI112

SPINDLE EXTENSIONS	
DESCRIPTION	ITEM
AW rod box	WSI123
A rod pin	WSI124
A rod box	WSI125
A rod pin	WSI126
B rod pin	WSI127
ATW rod pin	WSI128
BTW rod pin	WSI129
N rod pin	WSI130



COMPACT PLUS WATER SWIVEL 'NEW STYLE'



COMPACT PLUS WATER SWIVEL 'NEW STYLE'			
DESCRIPTION	ITEM	WEIGHT	
		LB	KG
Compact Plus Water Swivel Assy. AW Rod Box.	WS1300	16.70	7.60
Repair Kit Compact Plus			
• "O" Rings - 3 sizes (6 of each size)	WS1350		
• Spring washer (2)			
• "V" packing set (2)			
• Wear sleeve (2)			
• Ball bearing (1)			
• Felt seal (2)			
• Ball bearing thrust (1)			

1	"O" ring	WS1011
2	Spindle	WS1321
3	Thrust bearing	WS1320
4	Body	WS1313
5	Grease fitting	WB2120
6	Felt seal	WS1020
7	Cap	WS1010
8	"O" ring	WS1013
9	Spring washer	WS1012
10	"V" packing set	WS1014
11	Wear sleeve	WS1015B
12	Packing cage	WS1017
13	Ball bearing	WS1018
14	Upper body	WS1312

UNIVERSAL WATER SWIVEL			
DESCRIPTION	ITEM	WEIGHT	
		LB	KG
Universal Water Swivel Assy. BW Rod Box.	WS1500	31.50	14.30
Repair Kit Universal <ul style="list-style-type: none"> • Ball bearing (1) • Internal retaining ring (1) <ul style="list-style-type: none"> • "O" Rings (1) • Spindle extension (1) • "V" packing set (1) • Locking washer (1) • Ball bearing thrust (1) 	WS1550		

1	Retaining ring	WS1512
2	Ball bearing	WS1511
3	Spindle extension	WS1516
4	Spindle	WS1523
5	Thrust bearing	WS1524
6	Body	WS1522
7	Grease fitting	WB2120
8	Cap	WS1515
9	Compression spring	WS1514
10	"V" packing set	WS1517B
11	"O" ring	WS1513
12	Packing housing	WS1518
13	Spindle nut	WS1519
14	Locking washer	WS1520
15	Spacer	WS1521

ROD ADAPTORS		
ROD PIN	STANDARD ROD PIN	ITEM
A	BW	A3537007
B	BW	A3537107
N	BW	A3537207
H	BW	A3537307
P	BW	A3537407
HW	BW	A3537408

THIN WALL ROD PIN	STANDARD ROD PIN	ITEM
ATW	BW	A3566007
BTW	BW	A3566107
NTW	BW	A3566207





COMPACT WATER SWIVEL - UNDERGROUND			
DESCRIPTION	ITEM	WEIGHT	
		LB	KG
Compact Water Swivel Assy. AW Rod Assy.	WS1000M	14.50	6.60
Repair Kit Compact Plus • "O" Rings - 3 sizes (6 of each size) • Spring washer (2) • "V" packing set (2) • Wear sleeve (2) • Ball bearing (1) • Felt seal (2)	WS1050	1.75	0.80

1	"O" ring	WS1011
2	Spindle	WS1021
3	"O" ring	WS1022
4	Ball bearing	WS1018
5	Body	WS1016M
6	Grease fitting	WB2120
7	Felt seal	WS1020
8	Cap	WS1010M
9	"O" ring	WS1013
10	Spring washer	WS1012
11	"V" packing set	WS1014
12	Wear sleeve	WS1015
13	Packing cage	WS1017

SPINDLE EXTENSIONS	
DESCRIPTION	ITEM
AW rod box	WS1123
A rod pin	WS1024
A rod box	WS1025
A rod pin	WS1026
B rod pin	WS1027
ATW rod pin	WS1028
BTW rod pin	WS1029
N rod pin	WS1030

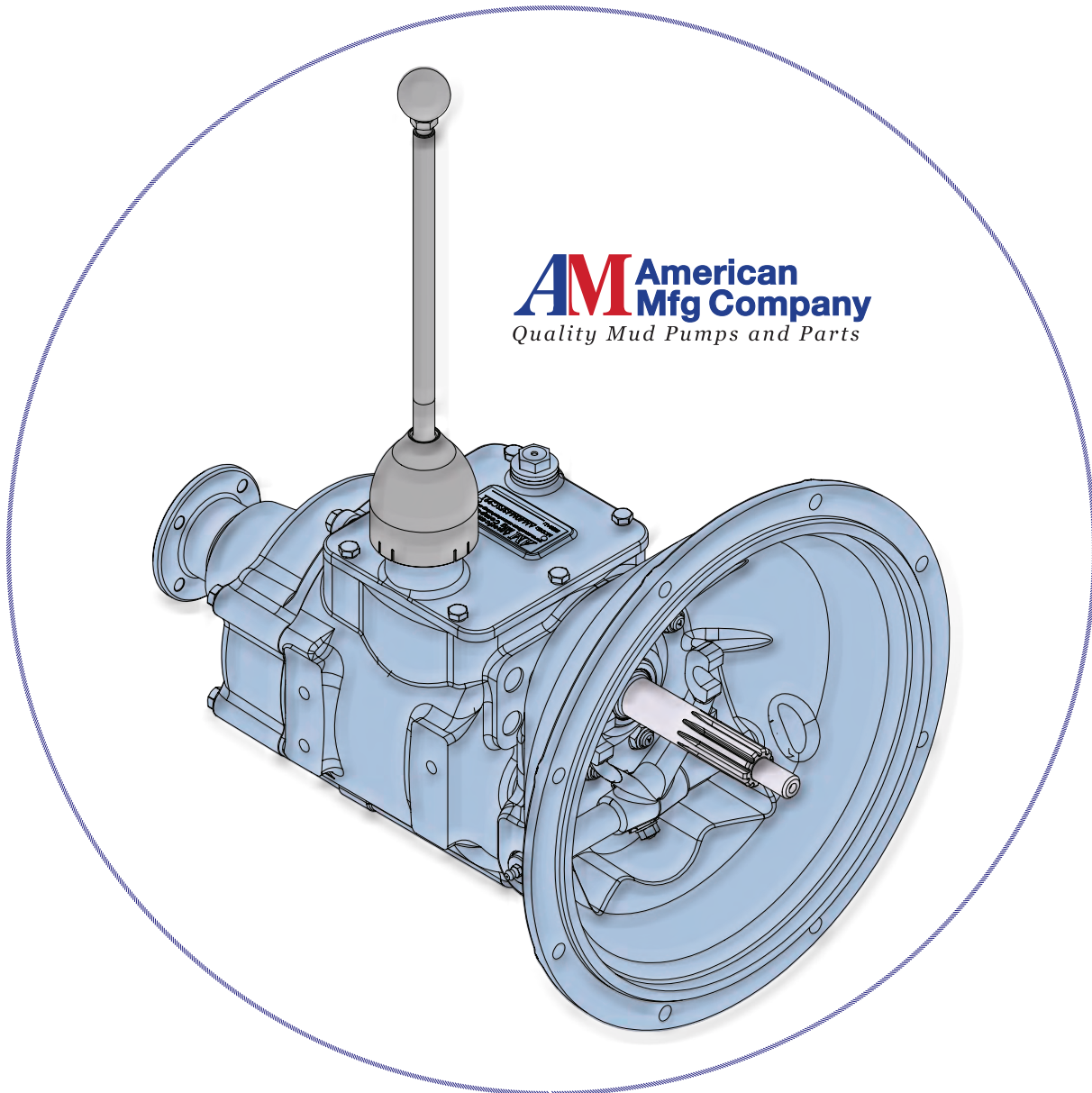
* Additional adaptor and part numbers are listed in the Adaptor section.

HIGH SPEED WATER SWIVEL: ATW / B / N / NT

WIRELINE COMPONENTS

		ATW WS6700-ATW	B WS0800-B	N WS0900-N	NT WS0900-NT
1	Swivel cap	WS0701	WS0701	WS0701	WS0701
2	Top Ball Bearing	WS0702	WS0702	WS0702	WS0702
3	Swivel Stem	WS0703B	WS0803B	WS0803B	WS0803B
4	Bottom ball bearing	WS0604	WS0804	WS0804	WS0804
5	Swivel Body	WS6701	WS0805-B	WS0805-N	WS0805-NT
6	Grease fitting	WB2120	WB2120	WB2120	WB2120
7	Swivel seal kit	WS0706	WS0806B	WS0806B	WS0806B
8	Seal retainer	WS0707	WS0807B	WS0807B	WS0807B





AM American
Mfg Company
Quality Mud Pumps and Parts

4 SPEED TRANSMISSION
NOW AVAILABLE

**CALL US TODAY FOR
MORE INFORMATION**

FOUR SPEED TRANSMISSION - AMERICAN MFG	
SPECIFICATIONS	
Maximum Input Torque	60 ft. lbs
Maximum Input Speed	3250 RPM
Speed	4 Speed Forward
Approximate weight	84 lbs
Clutch size	8" (with 1" 10 - spline input)
Transmission Spline Input	1" 10 - spline input

GAUGES- 2-1/2" BOTTOM MOUNT	
RANGE	BOTTOM MOUNT
0-30	GPG-00030
0-60	GPG-00060
0-100	GPG-00100
0-160	GPG-00160
0-200	GPG-00200
0-300	GPG-00300
0-400	GPG-00400
0-600	GPG-00600
0-1000	GPG-01000
0-1500	GPG-01500
0-2000	GPG-02000
0-3000	GPG-03000
0-5000	GPG-05000
0-6000	GPG-06000
0-10000	GPG-10000

GAUGES 4" BOTTOM MOUNT	
RANGE	BOTTOM MOUNT
0-15	GPSS-00015
0-30	GPSS-00030
0-60	GPSS-00060
0-100	GPSS-00100
0-160	GPSS-00160
0-200	GPSS-00200
0-300	GPSS-00300
0-400	GPSS-00400
0-600	GPSS-00600
0-1000	GPSS-01000
0-1500	GPSS-01500
0-2000	GPSS-02000
0-3000	GPSS-03000
0-5000	GPSS-05000
0-6000	GPSS-06000
0-10000	GPSS-10000
0-15000	GPSS-15000

GAUGES 2-1/2" CENTRE MOUNT	
RANGE	CENTRE MOUNT
0-30	GPG-CBM-00030
0-60	GPG-CBM-00060
0-100	GPG-CBM-00100
0-160	GPG-CBM-00160
0-200	GPG-CBM-00200
0-300	GPG-CBM-00300
0-400	GPG-CBM-00400
0-600	GPG-CBM-00600
0-1000	GPG-CBM-01000
0-1500	GPG-CBM-01500
0-2000	GPG-CBM-02000
0-3000	GPG-CBM-03000
0-5000	GPG-CBM-05000
0-6000	GPG-CBM-06000
0-10000	GPG-CBM-10000



BIMETAL THERMOMETER	
DESCRIPTION	ITEM
-40C-160C	AETI-32
-0F-140F	AETI-52

Pressure Gauges

Liquid filled gauges are well suited for hydraulic, oil and gas, pressure wash, and process systems. The liquid provides significant cushioning to reduce pointer flutter and internal damage.

Also available in stainless steel, the GPSS gauges are made with Type 316 internal surfaces, providing maximum corrosion resistance.

Ideal for water line heater use, bimetal thermometers allow you to monitor water temperature while approaching its freezing point.



EXTREME HEAT WATER LINE HEATERS	
DESCRIPTION	ITEM
12V DC	DDX2015C
110VAC	DDX2015A
Propane Complete	DDX2015B

SAFETY TORCH (ONLY)- 100% SHUT-OFF SYSTEM	
BTU	ITEM
25,000 - 80,000	F-FT100SV
90,000-300,000	F-FT250SV
110,000-410,000	F-FT500SV

REPLACEMENT PARTS	
DESCRIPTION	ITEM
12V Burner	DDX2057HL
110VAC Burner	DDX2058HL
Propane Kit	DDX2018
Safety Torch	F-FT500SV
Easy Flow Coils	DDX2005A
Hi Limit Kit	DDX2007
Propane Torch Holder	DDX2019
12 VDC Fuel Pump & Solenoid.	DDX2060CC
Blower Motor- 12 Volt	DDX2060G
Flange Gasket	DDX2060I
Electrode- (set)- 12VDC & 120VAC	DDX2060J
Blower Wheel- 12 Volt	DDX21404
Ignition Transformer..12V	DDX521830IU
GF-CGF10A Spin-O filter Assembly	DDX800112
Fuel oil filter cartridge..K10GF.	DDX800113

VAPOUR TORCHES WITH REG AND 15' HOSE	
BTU	ITEM
25-80,000	F-FT15-100
90-300,000	F-FT15-250
110-410,000	F-FT15-500

ACCESSORIES-PARTS	
BTU	ITEM
15' Hose	F-3418-4
Regulator	F-1230VHI
Tank fitting	F-S01
Thermocouple	F-T24A
Baso Valve	F-SV34
Orifice F-FT250SV	F-02250
Orifice F-FT500SV	F-02500

- Propane now utilizes SAFER Safety Torch, shutting the propane down in the event the flame goes out. Oil units now supplied with Hi Limit Switch.
- Simple & trouble-free operation. Advanced technology — forced air oil burner for maximum efficiency.
- New easy-handle roll cage operates vertically or horizontally. Easy-flow coil design ensures less pressure build up, as well as maximum heat exchange for greater efficiency.

ULTRA LIGHTWEIGHT DRILLER'S HOSE

100 Feet of water line weighs just **6 lbs!** Traditional driller's hose can weigh **10 times** as much

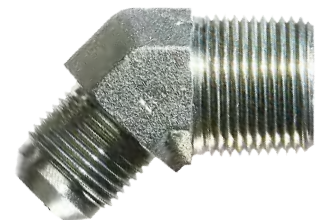


- Durable Hardcoat Aluminum NPSH threaded ends
- Will remain flexible and pliable
- Temperature Range: -60C to +60C
- Pressure Rating: 300 & 600 PSI at 20C
- No Memory Retention
- Tube: extruded elastomer
- Jacket: treated single jacket polyester
- Reinforcement: spiral helix

PRODRILL RUGGED-LITE WATERLINE					
I.D.	DESCRIPTION	PSI	WT.	ITEM	
1"	Red- 100 Foot	300	6	G312L	
1"	Yellow- 100 Foot	600	6	G242GL	



SINGLE BRAID WATER SWIVEL HOSE WITH 4' PROTECTOR	
DESCRIPTION	ITEM
3/4"x16' JIC Female Swivel	PHI22-12X16J
3/4"x28' JIC Female Swivel	PHI22-12X28J



45° MALE NPT TO JIC	
DESCRIPTION	ITEM
1 NPT-#12 JIC	PHI546-16-12
1-1/4 NPT-#16 JIC	PHI546-20-16



G312 DRILLERS 200 PSI WATER LINE					
I.D.	O.D.	FITTINGS	LENGTH	WT.	ITEM
1"	1.43	None	1	0.41	G312-100
1"	1.43	Universal Hose End	100	51	G312-100U100
1"	1.43	Brass Long Shank Machined	100	51	G312-100LS100

Drillers Water Line is for geological exploration drill rigs. The hose is generally cut into 100 foot lengths and coupled with universal type quick connects or brass long shank fittings.



G242G 400 PSI WATER LINE					
I.D.	O.D.	FITTINGS	LENGTH	WT.	ITEM
1"	1.5	None	1	1.61	G242G-100
1"	1.5	Universal Hose End	100	1.61	G1232-100U100
1"	1.5	Brass Long Shank Machined	100	1.61	G242G-100LS100

Rock Drill Hose is kink-resistant and very flexible, with a cover designed for extra abrasion resistance.

TUBE smooth, black rubber compounded to resist oil laden compressed air **REINFORCEMENT** Multiple layers of spiraled textile cords **COVER** Thick, yellow, cut, abrasion, and weather resistant rubber with wrapped finish and blue stripe **TEMPERATURE RANGE** -40°C (-40°F) to 80°C (176°F)



G1232 LAY FLAT 300 PSI WATER LINE					
I.D.	O.D.	FITTINGS	LENGTH	WT.	ITEM
1"	1.28	None	1	0.24	G1232-100
1"	1.28	Universal Hose End	100	51	G1232-100U100
1"	1.28	Brass Long Shank Machined	100	51	G1232-100LS100

Suitable for water applications where a higher pressure is required. In 1" it is used as drillers water supply hose.

Manufactured using a unique process which incorporates the inner tube, reinforcement, and outer cover into a single "solid wall" hose. The reinforcement, a seamless, woven, high-tenacity polyester, is embedded in yellow nitrile rubber.



20' Suction Hose Assemblies

Suction hoses come complete with a female cam-lock, galvanized combination nipple attached with band clamps. Fitted with or without a strainer.

WITH FEMALE CAMLOCK AND STRAINER			
SIZE	LENGTH	ITEM	
1-1/2"	20	G941BW-150CS20	
2"	20	G941BW-200CS20	

WITH FEMALE CAMLOCK & NIPPLE OTHER END			
SIZE	LENGTH	ITEM	
1-1/2"	20	G941BW-150CM20	
2"	20	G941BW-200CM20	



Blue Water Suction Hose

Manufactured using high molecular weight PVC that stays flexible at sub zero temperatures.

Most PVC hoses stay flexible when used in winter conditions but Blue Water can be used year round for water suction lines in construction, rental, mining and agricultural applications.

An advantage of G941BW over many EPDM rubber hoses is that it is resistant to degradation in oily conditions. While this hose is not designed for oil applications, PVC offers good oil resistance at moderate temperatures.

Cast Iron Foot Valve & Strainer

Cast iron foot valves employ a leather flapper that prevents the pump from losing its prime. They are ideal where the pump must be left unattended for long periods. The weight of the iron ensures that the valve remains in the water.

G941BW BLUE WATER SUCTION HOSE						
I.D.	O.D.	WP @20°C	WP @40°C	BEND RADIUS	WT./FT.	ITEM
1"	1.26	90	65	3"	0.22	G941BW-100
1-1/4"	1.51	90	65	4"	0.36	G941BW-125
1-1/2"	1.79	90	65	5"	0.48	G941BW-150
2"	2.38	90	65	7"	0.62	G941BW-200

FOOT VALVE & STRAINER		
SIZE	ITEM	
1-1/2"	G34FV-150	
2"	G34FV-200	
2-1/2"	G34FV-250	
3"	G34FV-300	
4"	G34FV-400	



1" LONG SHANK BRASS COUPLINGS	
DESCRIPTION	ITEM
Male	G31BLS-100
Female	G32BLS-100
Gasket	G30G-100

1" LONG SHANK BRASS COUPLINGS- CAST	
DESCRIPTION	ITEM
Male	G31BLSC-100
Female	G32BLSC-100
Gasket	G30G-100



WATER, OIL, GAS 600 PSI
STEAM 150 PSI



WATER, OIL, GAS up to 1" 1000 PSI
WATER, OIL, GAS 1-1/4" to 2" 800 PSI
STEAM 150 PSI

G20S HOSE MENDER	
SIZE	ITEM
1"	G20S-100

GV20I BRASS BALL VALVE	
SIZE	ITEM
1/4"	GV20I-025
1/2"	GV20I-050
3/4"	GV20I-075
1"	GV20I-100

V40I ST/ST BALL VALVE	
SIZE	ITEM
3/4"	GV40I-075
1"	GV40I-100

1" G25 UNIVERSAL	
DESCRIPTION	ITEM
Hose End	G25-100
Male Adapter	G26-100
Female Adapter	G27-100
Gasket	G28
Gasket (oil Resist)	G28P
Punch Clamp	GPC-06





CAMLOCK PART A FEMALE NPT ADAPTER - ALUMINUM	
SIZE	ITEM
1-1/4"	G65A-125
1-1/2"	G65A-150
2"	G65A-200
2-1/2"	G65A-250
3"	G65A-300



CAMLOCK PART B MALE NPT COUPLER - ALUMINUM	
SIZE	ITEM
1-1/4"	G65B-125
1-1/2"	G65B-150
2"	G65B-200
2-1/2"	G65B-250
3"	G65B-300



CAMLOCK FEMALE SHANK COUPLER - ALUMINUM	
SIZE	ITEM
1-1/4"	G65C-125
1-1/2"	G65C-150
2"	G65C-200
2-1/2"	G65C-250
3"	G65C-300



CAMLOCK PART D FEMALE NPT COUPLER - ALUMINUM	
SIZE	ITEM
1-1/4"	G65D-125
1-1/2"	G65D-150
2"	G65D-200
2-1/2"	G65D-250
3"	G65D-300



CAMLOCK MALE HOSE SHANK ADAPTER - ALUMINUM	
SIZE	ITEM
1-1/4"	G65E-125
1-1/2"	G65E-150
2"	G65E-200
2-1/2"	G65E-250
3"	G65E-300

CAMLOCK PART F MALE NPT ADAPTER - ALUMINUM	
SIZE	ITEM
1-1/4"	G65F-125
1-1/2"	G65F-150
2"	G65F-200
2-1/2"	G65F-250
3"	G65F-300

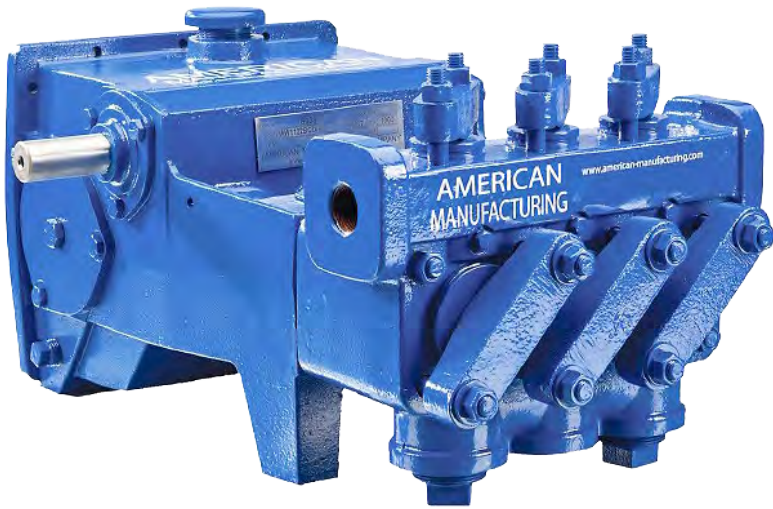


CARBON STEEL COMBINATION NIPPLE		
PIPE SIZE	HOSE SIZE	ITEM
1-1/4"	1-1/4"	G33-125
1-1/2"	1-1/2"	G33-150
2"	2"	G33-200
2-1/2"	2-1/2"	G33-250
3"	3"	G33-300
4"	4"	G33-400
JUMP SIZES		
1"	1-1/4"	G33-100-125
1-1/4"	1-1/2"	G33-125-150
1-1/2"	1-1/4"	G33-150-125

PLATED CARBON STEEL PUNCH CLAMPS		
CLAMP ID	BAND WIDTH	ITEM
1-1/2"	5/8"	GPC-06
1-3/4"	5/8"	GPC-07
2"	5/8"	GPC-08
2-1/4"	5/8"	GPC-09
2-1/2"	5/8"	GPC-10
3-3/4"	5/8"	GPC-11
3"	5/8"	GPC-12
3-1/2"	5/8"	GPC-14
4"	5/8"	GPC-16
4-1/2"	5/8"	GPC-18

PUNCH CLAMP TOOLS	
DESCRIPTION	ITEM
Service Tool	GP-I

STRAINERS- 3/8" HOLE	
SIZE	ITEM
1-1/2"	G34-150
2"	G34-200
2-1/2"	G34-250
3"	G34-300
Screen	G34A-S

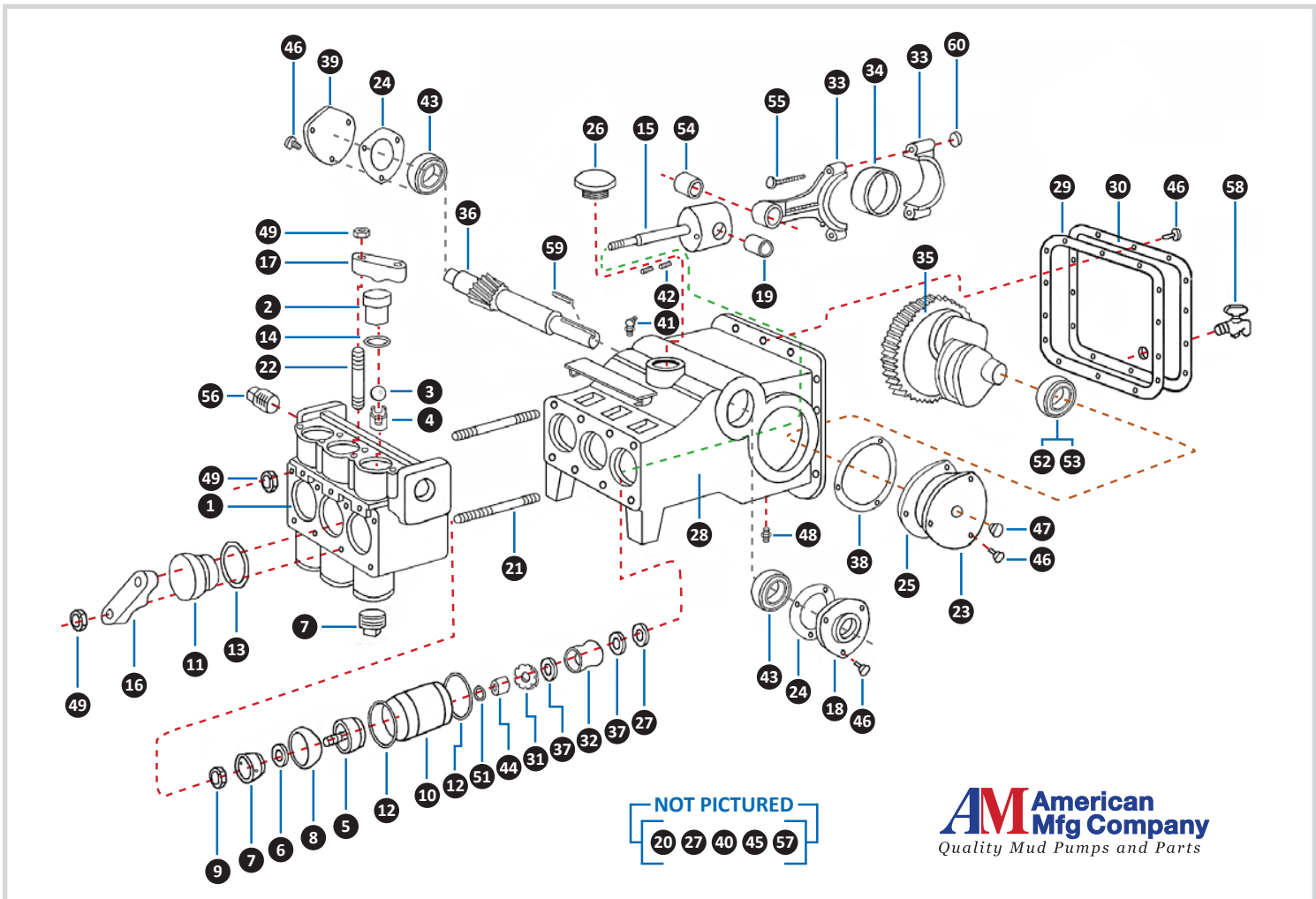


420 FMC-Style Piston Pump

AL0918B - Suction & Discharge

- American Manufacturing announced the newest addition to its product line; the American AL0918 - an exact replica of the 420 FMC-style pump.
- The 420, one of the most widely-used pumps in the mineral exploration industry, has only been available from the FMC Corporation - until now!
- American Manufacturing's state-of-the-art manufacturing facility, low overhead, and 20-plus years experience in manufacturing pumps and pump parts guarantees customers a top-quality product at extremely competitive prices.
- As with every pump and part they manufacture, the American AL0918B is guaranteed to be 100% identical and interchangeable with its FMC counterpart. Constantly stocked pump and component parts ensures quick and accurate delivery.

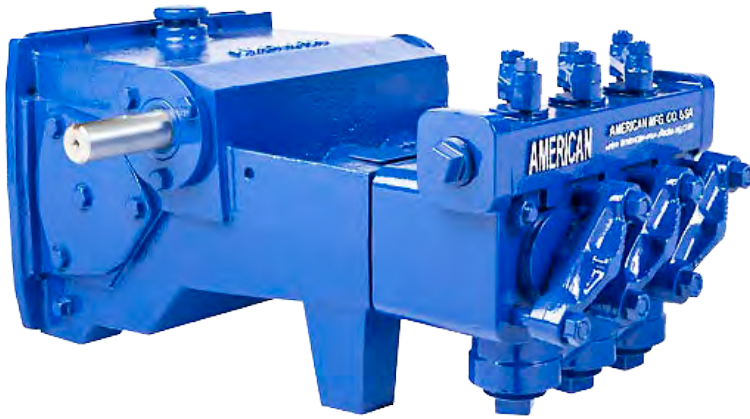
AL0918B PERFORMANCE RATING															
PISTON DIAMETER		DISPLACEMENT /REV		MAXIMUM PRESSURE		PUMP CAPACITY @ INPUT SPEED (RPM)									
INCH	MM	GAL-LON	LITRE	PSI	KG/CM ²	350 RPM		625 RPM		700 RPM		750 RPM		890 RPM	
						GPM	LPM	GPM	LPM	GPM	LPM	GPM	LPM	GPM	LPM
2.25	57.2	0.0323	0.122	700	49.2	11.3	43	20.2	76	22.6	86	24.2	92	28.7	109



AM 420 PUMP - SPECIFICATIONS	
Configuration	Horizontal Triplex Piston
Number of Pistons	3
Stroke Length	2.25 in (57.2 mm)
Frame Load Rating	2,800 lbs (1,270 kg)
Pump Weight	200 lbs (90.7 kg)
Direction of Rotation	Top of shaft - away from head
Internal Gear Rotation	3.6 : 1
Intermittent Duty Speed Rating	890 RPM (Jackshaft)
Continuous Duty Speed Rating	750 RPM (Jackshaft)
Ball Valve Max Speed Rating	625 RPM
Minimum Speed	360 RPM

AM 420 PUMP - SPECIFICATIONS	
Mechanical Efficiency	85%
Lubrication System	Splash, Gravity Return
Lube Oil Capacity	2.25 Quarts
Lube Oil Type	SAE 30
Maximum Fluid Temperature	140 oF (250 oF Capability)
Minimum Fluid Temperature	0 oF (-20 oF Capability)
Standard Suction Size	1.50 in. NPT (38.1 mm)
Standard Discharge Size	1.00 in. NPT (25.4 mm)
Fluid End Material	Cast Iron
Valve Type	Disc Valve / Ball Valve
Hydraulic Motor Mount	SAE C - 4 Bolt with 1.25o - 14T

AMERICAN MFG.- AL0918B (420)							
REF.	DESCRIPTION	QTY	ITEM	REF.	DESCRIPTION	QTY	ITEM
	Pump Complete		AL0918B-420	28	Pump Case	1	PPFMC 5260537
1	Valve Chamber	1	PPFMC 1255266	29	Gasket, Back Cover	1	PPFMC 1279065
2	Valve Cover	3	PPFMC A5003	30	Cover Plate Assembly	1	PPFMC 1279063
3	Ball	6	PPFMC 1187738	31	Nut Plunger Rod	3	PPFMC 1283600
4	Valve Seat	6	PPFMC 1225327	32	Sleeve Packing Nut	3	PPFMC 1283601
5	Packing Cup	3	PPFMC 8495	33	Connecting Rod	3	PPFMC 18710
6	Packing Washer	3	PPFMC 1207289	34	Bearing Insert	6	PPFMC P506697
7	Plunger Nut	3	PPFMC A5016	35	Crankshaft	1	PPFMC 1279071
8	Packing	3	PPFMC A3434N	36	Pinion Shaft	1	PPFMC 1265098
9	Hex Nut 1/2 -13 SS	3	PPFMC 8309	36*	Pinion Shaft Double	1	
10	Cylinder Porcelain On Steel	3	PPFMC 1272060	37	Plunger Rod Seal	6	PPFMC 1283603
11	Cylinder Head	3	PPFMC A5002	38	Shim	5	PPFMC 1252594
12	Gasket Cylinder (Copper)	3	PPFMC 1237620	39	Pinion Housing Blind	1	PPFMC 1225769
13	Gasket Cylinder Head (Copper)	3	PPFMC 1247387	40	Inspection Plate	1	PPFMC 1214260
14	Gasket Valve Cover (Copper)	3	PPFMC 1247386	41	Lube Fitting	3	PPFMC 1100759
12	Gasket Cylinder (Fibre)	3	PPFMC 1280024	42	Set Screw 5/16 - 18 x 1/2	3	PPFMC 1103470
13	Gasket Cylinder Head (Fibre)	3	PPFMC 1280025	43	Bearing, Pinion	2	PPFMC 1104444
14	Gasket Valve Cover (Fibre)	3	PPFMC 1280026	44	Seal Holder	3	PPFMC 1281655
15	Crosshead & Rod	3	PPFMC 1250876	45	HHCS 3/8 -16 x 1/2	14	PPFMC 1106910
16	Clamp Cylinder Head	3	PPFMC 1271415	46	HHCS 3/8 -16 x 3/4	12	PPFMC 1106914
17	Clamp Valve Cover	3	PPFMC 1271716	48	Plug, 1/2	2	PPFMC 1187048
18	Pinion Housing- Drive	1	PPFMC A5005	49	Hex Nut 1/2 -13	14	PPFMC 1121511
19	Pin- Crosshead	3	PPFMC A5006	51	O-ring, Rod seal 5/8 O.D. x 1/16	3	PPFMC 1101176
20	Stud Cylinder	2	PPFMC A5009	52	Bearing Cone, Crank	2	PPFMC 1101242
21	Cylinder Cover Stud	6	PPFMC A5011	53	Bearing Cup, Crank	2	PPFMC 1177287
22	Valve Clamp Stud	6	PPFMC A5012	54	Wrist Pin Bushing	3	PPFMC A5046
23	Bearing Housing Blind	2	PPFMC 1279064	55	Bolt Connecting Rod	6	PPFMC 18743
24	Gasket, Pinion	2	PPFMC A5026	56	Plug 1" Pipe	1	PPFMC 1105077
25	Gasket, Bearing Housing	2	PPFMC A5025	57	Plug 1 1/2 Pipe	2	PPFMC 1105105
26	Oil Cap	1	PPFMC A5054	58	Petcock 1/8 NPT	1	PPFMC 1187039
27	Packing Washer	3	PPFMC 1283602	59	Key	1	PPFMC 1187577

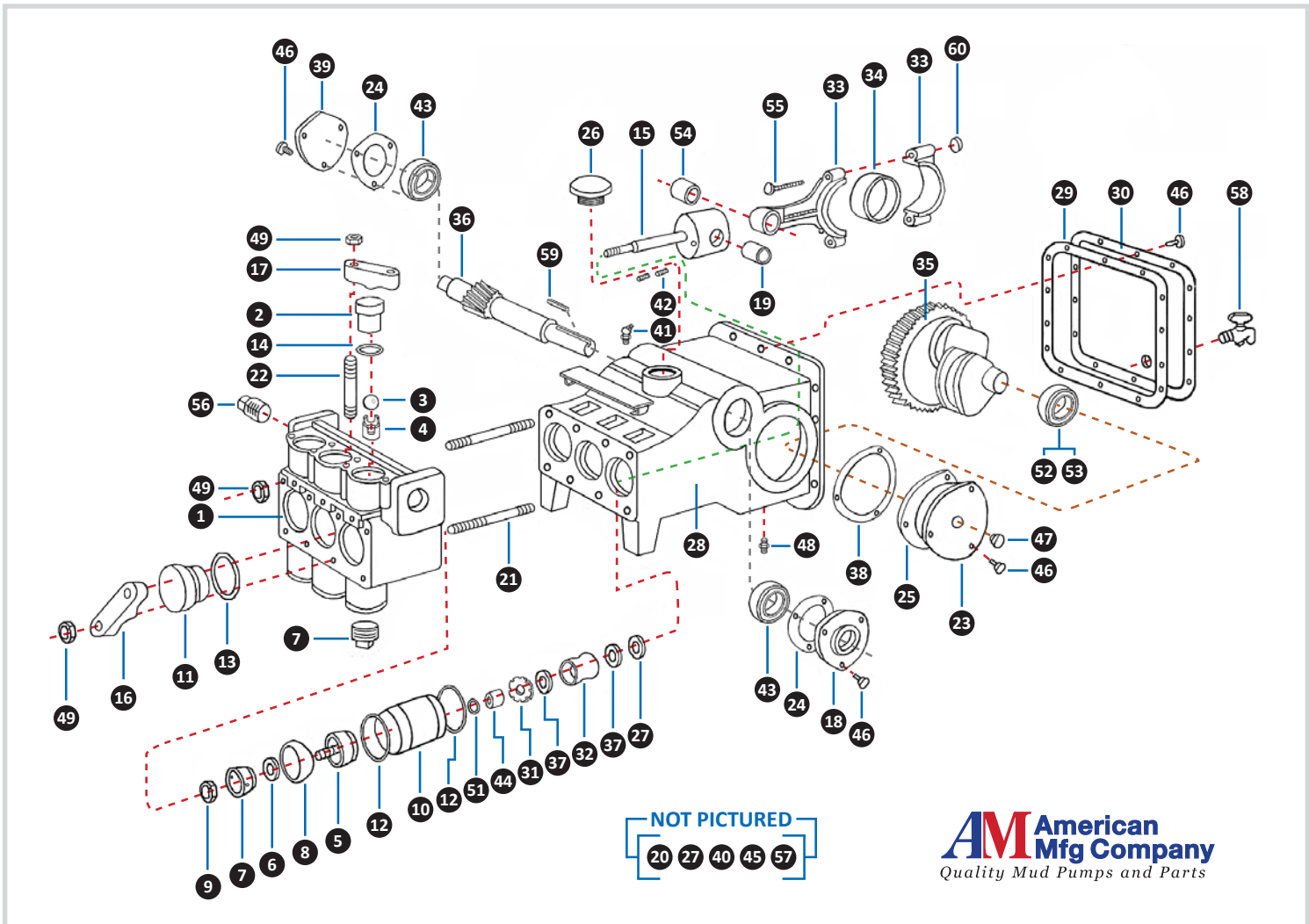


435 FMC-Style Piston Pump

AWI 122 - Suction & Discharge

- American Manufacturing announced the next new addition to its product line; the American AWI 122BCD - an exact replica of the 435 FMC-style pump.
- The 435, one of the most widely-used pumps in the mineral exploration industry, has only been available from the FMC Corporation - until now!
- American Manufacturing's state-of-the-art manufacturing facility, low overhead, and 20-plus years experience in manufacturing pumps and pump parts guarantees customers a top-quality product at extremely competitive prices.
- As with every pump and part they manufacture, the American AWI 122BCD is guaranteed to be 100% identical and interchangeable with its FMC counterpart. Constantly stocked pump and component parts ensures quick and accurate delivery.

AWI 122 PERFORMANCE RATING																
PISTON DIAMETER		DISPLACEMENT /REV		MAXIMUM PRESSURE		PUMP CAPACITY @ INPUT SPEED (RPM)										
						350 RPM		500 RPM		635 RPM		750 RPM		900 RPM		
Inch	mm	Gallon	Litre	PSI	kg/cm ²	gpm	lpm	gpm	lpm	gpm	lpm	gpm	lpm	gpm	lpm	
2.75	69.9	0.0589	0.223	1,000	70.3	20.6	78	29.5	112	37.4	142	44.2	167	53	201	



AM 435 PUMP - SPECIFICATIONS	
Configuration	Horizontal Triplex Piston
Number of Pistons	3
Stroke Length	2.75 in (69.9 mm)
Frame Load Rating	5,940 lbs (2,697 kg)
Pump Weight	460 lbs (209 kg)
Direction of Rotation	Top of shaft - away from head
Internal Gear Rotation	3.6 : 1
Ball Valve Max Speed Rating	635 RPM (Jackshaft)
Minimum Speed	360 RPM
Mechanical Efficiency	85%

AM 435 PUMP - SPECIFICATIONS	
Lubrication System	Splash, Gravity Return
Lube Oil Capacity	1 Gallon
Lube Oil Type	SAE 30
Maximum Fluid Temperature	140 oF (250 oF Capability)
Minimum Fluid Temperature	0 oF (-20 oF Capability)
Standard Suction Size	2.00 in. NPT (50.8 mm)
Standard Discharge Size	1.25 in. NPT (38.1 mm)
Fluid End Material	Ductile Iron
Valve Type	Disc Valve / Ball Valve
Hydraulic Motor Mount	SAE C - 4 Bolt with 1.25" - 14T

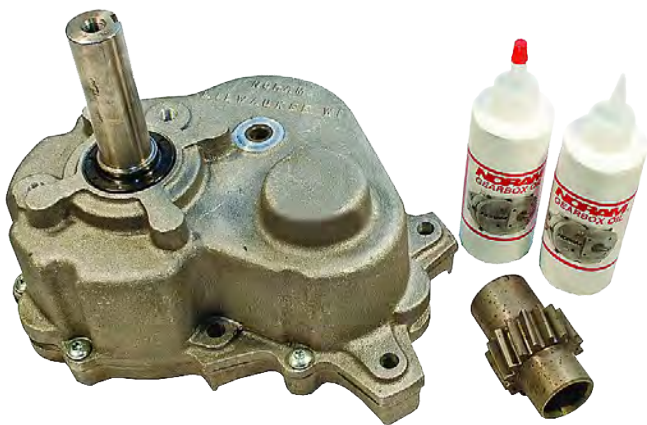
AMERICAN MFG.- AL0918B (420)							
REF.	DESCRIPTION	QTY	ITEM	REF.	DESCRIPTION	QTY	ITEM
	Pump Complete		AWI122BCD	30	Cover Plate Assembly	1	PPFMC P508969
1	Valve Chamber	1	PPFMC 1284777	31	Seal retainer nut	3	PPFMC 1266323
2	Valve Cover	3	PPFMC 1285113	32	Seal Holder	1	PPFMC 1266365
3	Ball	6	PPFMC 1101419	32	seals	9	PPFMC 1177489
4	Valve Seat	6	PPFMC 1284740	33	Connecting Rod	3	PPFMC 5266814
5	Packing Cup	3	PPFMC A91663	34	Bearing Insert	6	PPFMC P514965
6	Packing Washer	3	PPFMC 1285112	35	Eccentric Gear	1	PPFMC 1285094
7	Plunger Nut	3	PPFMC A5016	36	Pinion Shaft	1	PPFMC P511596
8	Packing	3	PPFMC A268N				
9	Hex Nut 1/2 -13 SS	3	PPFMC 8309	37	Plunger Rod Seal	6	PPFMC 1177489
10	Cylinder Porcelain On Steel	3	PPFMC 1267586	38	Shim	5	PPFMC 1252595
11	Cylinder Head	3	PPFMC 1285112	39	Pinion Housing Blind	1	PPFMC P508916
12	Gasket Cylinder Base-Copper	3	PPFMC 1247389	40	Inspection Plate	1	PPFMC 5260567
13	Gasket Cylinder Head- Copper	3	PPFMC 1247390	41	Lube Fitting	3	PPFMC 1100759
14	Gasket Valve Cover	3	PPFMC 1247388	42	Set Screw 5/16 - 18 x 1/2	3	PPFMC 1182554
15	Crosshead & Rod	3	PPFMC 1252939	43	Pinion shaft Bearing 435	2	PPFMC P511746
16	Clamp Cylinder Head	3	PPFMC 1252939	44	Seal Holder	3	
17	Clamp Valve Cover	3	PPFMC A80391	45	HHCS 3/8 -16 x 1/2	14	PPFMC 1106980
18	Pinion Housing- Drive	1	PPFMC 5257338	46	HHCS 3/8 -16 x 3/4	12	
19	Pin- Crosshead	3	PPFMC A91014	48	Plug, 1/2	2	PPFMC 1187048
20	Stud Cylinder	2	PPFMC A91672	49	Hex Nut 1/2 -13	14	PPFMC 1121499
21	Cylinder Cover Stud	6	PPFMC 1283602	51	O-ring 5/8 O.D. x 1/16	3	PPFMC 1101176
22	Valve Clamp Stud	6	PPFMC A5076	52	Cone Bearing	2	PPFMC 1177473
23	Housing- Eccentric	2	PPFMC 1248369	53	Cup Bearing	2	PPFMC 1177474
24	Gasket	2	PPFMC A91674	54	Wrist Pin Bushing	3	PPFMC 9226
25	Gasket	2		55	Bolt Connecting Rod	6	PPFMC 18744
26	Oil Cap	1	PPFMC A5054	56	Plug 1" Pipe	1	
27	Packing Washer L09	3	PPFMC 19510	57	Plug 1 1/2 Pipe	2	
28	Pump Case	1	PPFMC 5257698	58	Petcock 1/8 NPT	1	PPFMC 1187039
29	Gasket - Cover	1	PPFMC P508966	59	Key	1	PPFMC 1104349
				60	Plunger Cup Removal Tool		UA5049



YANMAR DIESEL LV100	
DESCRIPTION	ITEM
Diesel Engine- 10 HP	YAN-LI00V

SERVICE ITEMS	
Air Filter	YAN-12590
Fuel Tank Fuel filter	YAN-55100
Injector	YAN-53100
Injector Pump	YAN-51400

NORAM 6:1 REDUCTION GEARBOX	
DESCRIPTION	ITEM
Noram 6:1 Reduction Gearbox	N-61100
Noram to Yanmar adapter Kit	N-13500030



SPECIFICATIONS - YANMAR LI00V	
Engine Type	AW1122
Fuel	Horizontal Triplex Piston
Combustion Type	3
Total Displacement	2.75 in (69.9 mm)
Aspiration	5,940 lbs (2,697 kg)
Valves per Cylinder	460 lbs (209 kg)
Rated Speed	Top of shaft - away from head
Net Intermittent	3.6 : 1
Net Continuous HP	635 RPM (Jackshaft)
Direction of Rotation	360 RPM
Crankshaft Type	85%
Starting System	Splash, Gravity Return
Decompression System	1 Gallon
Charging System	SAE 30
Fuel Tank Capacity	140 oF (250 oF Capability)
Lubrication System	0 oF (-20 oF Capability)
Oil Capacity	2.00 in. NPT (50.8 mm)
Exhaust System	1.25 in. NPT (38.1 mm)
Air Cleaner	Ductile Iron
Balancing System	Disc Valve / Ball Valve
Dry Weight (Electric Start)	SAE C - 4 Bolt with 1.25o - 14T
Noise Output @ Continuous Rating	97 dB(A) (mean of 4 directions @ 1 metre)

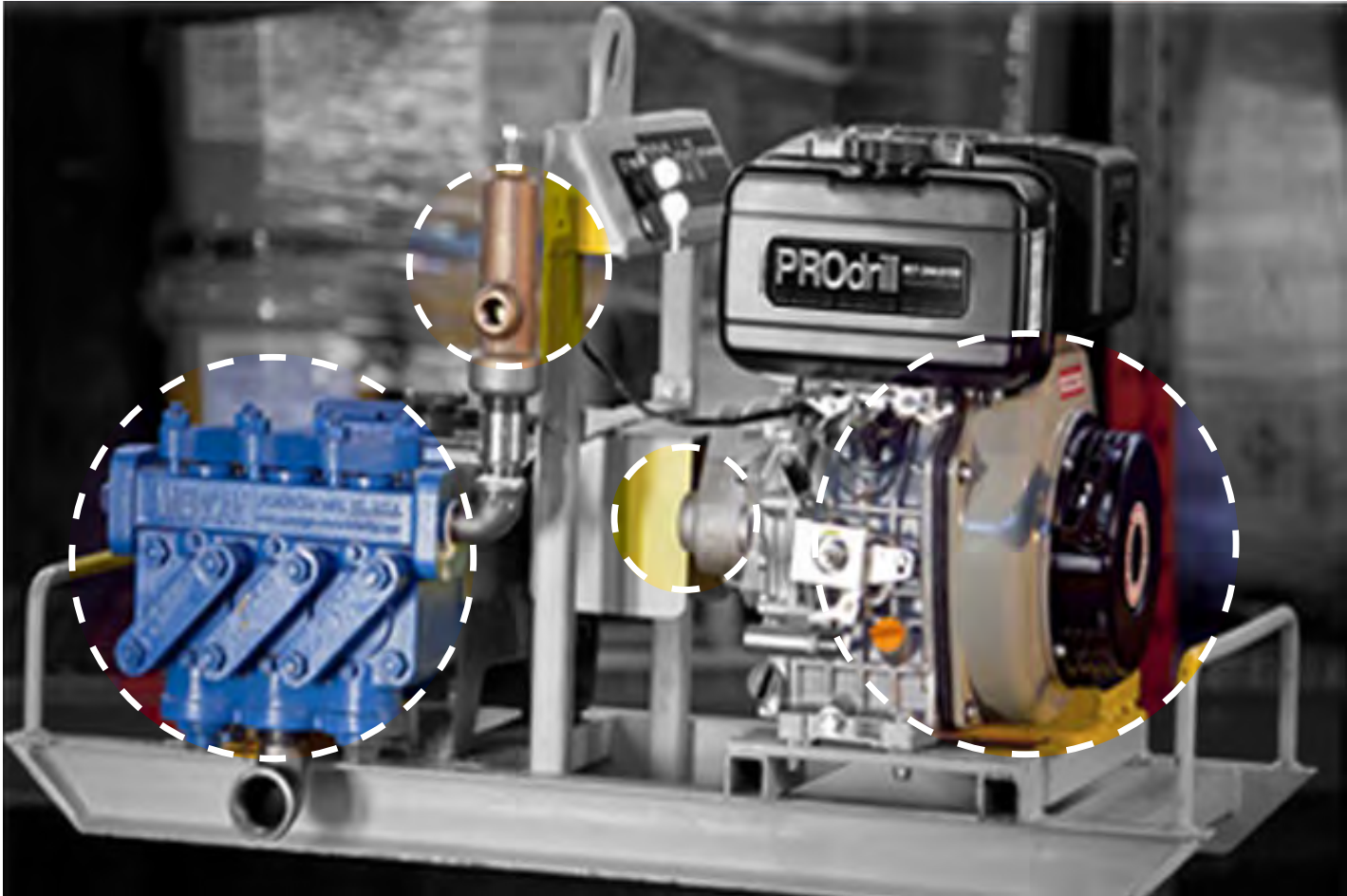
JAW COUPLINGS	
DESCRIPTION	ITEM
Drive Insert- LI10 Coupling	CL110
Jaw Coupling LI10 -1 Inch	CL110-100
Jaw Coupling LI10 -1-1/8	CL110-102
Jaw Coupling LI10 -1-1/4	PF200X12
Jaw Coupling LI10 -1-1/2	CL110-104



PUMP SKID ASSEMBLY	
DESCRIPTION	ITEM
Yanmar-AL0918	DDF20-YAN
REPLACEMENT PARTS	
UIL-230 Power Battery	WRS35-10
Battery box- Small	IM-20170
Battery Cable Set	IM-Wire-Yan

PROdrill Portable Pump Skid Assembly

Conceptualized by and exclusive to PROdrill, this portable pump shack pump weighs just 475 lbs and consists of a variety of effective & quality equipment products.



1

2

3

4





Delivering power for your pump shack the alternator system installs directly on your 420 Beam Pump and comes with all hardware and battery cables required.

POWER SYSTEMS	
DESCRIPTION	ITEM
Alt Kit	DDX2009
Inverter Package 12V	
Inverter Package 24V	



Digital display shows batch total, cumulative total, rate of flow (gallons or liters), and is rated for outdoor use (weather-tight PVC).

GPI FLOW METER TM100-N 1" NPT	
ITEM	
GPI-TM100-NI	



PROUDLY SERVING NORTHERN ONTARIO & BEYOND

WHETHER YOU ARE WORKING IN OUR
NEIGHBOURHOOD OR IN THE MIDDLE OF
THE NORTHERN ONTARIO WILDERNESS,
WE'LL GET IT TO YOUR WORKSITE!

CIMENT	
DESCRIPTION	ITEM
Ciment Fondu	DD-CFONU
Accelerator	DD-CPD



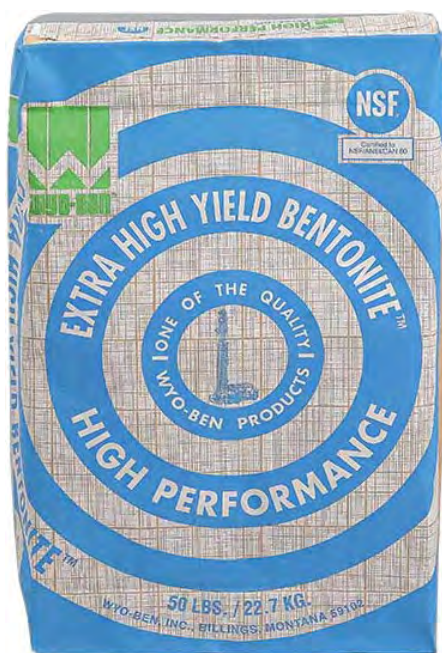
Ciment

- A rapid hardening cement allowing concrete to be put into service between 6 and 24 hours after placing.
- Ciment Fondu is a cement based on calcium aluminates, rather than calcium silicates which are the basis of Portland cement.
- This difference gives Ciment Fondu Lafarge properties ideally suited to specific applications which compliment the traditional uses of Portland cement.
- Ciment Fondu Lafarge has a setting time similar to that of Portland cement, but is very rapid hardening.
- Concretes and mortars achieve a high early strength allowing fast stripping of formwork, and a return to service normally between 6 and 24 hours after placing.
- Unlike Portland cement, Ciment Fondu does not release free lime during hydration. This means that concretes with low porosities have an excellent resistance to chemical attack, from a wide range of aggressive substances.

CPD® Cold Weather Accelerator is a concentrated solution which accelerates the set of concrete or mortar to substantially increases early strength gains.



BENTONITE	
DESCRIPTION	ITEM
Holeplug	DC-11047



Extra High Yield Bentonite

Principal Uses

- Premium Grade, Wyoming Bentonite (Sodium Montmorillonite). Specially blended and beneficiated for fast mixing, better hole stability and extra high yield viscosity.
- Eliminates seepage loss to permeable zones and greatly reduces lost circulation conditions. Primary ingredient used with foam to make gel-foam drilling fluid. Dry product can be sprinkled on the bottom and sides of a dug-out, ditch or depression to form a waterproof barrier for use as a holding pit.
- Produces tough, leather-like filter cake on bore hole for excellent hole stability. Enhances fluid loss characteristics to protect permeable and friable formations.
- Extra High Yield means less quantity required to yield high viscosity and greater hole cleaning.

Mixing

- Water should be fresh (no calcium or salt) and neutral pH (7.0). Add Soda ash if required to adjust calcium and pH.
- Turn mixer on high and add 50 pounds. Extra High Yield Bentonite per 250 gallons of water.
- Pour Bentonite into turbulent water at a rate of 3 min. per bag. Increase the amount of Bentonite added if conditions require.

Packaging

- 50 Pounds, commonly 70 bags per skid. Packaged in a strong, multi-walled paper bag with moisture barrier lining



Alkamer

Extremely high molecular weight, Anionic, Polyacrylamide in liquid form. Exceptional freeze - thaw stability. Very rapid mixing and high yield viscosity.

Mixing

- Add 1 litre of Extreme Alkamer per 250 gallons of fresh water while mixer is on high.
- If hole conditions require, increase the amount of Extreme Alkamer added to each tank.
- If combining Extreme Alkamer with Bentonite, always add the Bentonite first and allow to mix well before adding Extreme Alkamer.
- Packaging- 20 litre, High Impact plastic container with a wide-mouth screw-on cap.

Principal Uses

- Best choice for fast acting, single product mixed with water. Provides exceptional lubrication and torque reduction.
- Lifts cuttings and enhances hole cleaning capabilities.
- Stabilizes weak formations.
- Excellent encapsulating polymer prevents clays and shale's from swelling and becoming 'sticky'.
- Used with foam to make a stiff, stable, foam drilling fluid.
- Used with Extreme Gel Extra High Yield Bentonite to improve hole cleaning, hole stability and to control clays and shales.
- Environmentally friendly.

Number One

Ultra High Grade, Anionic, Acrylamide Copolymer in the form of a free flowing coarse white powder.

Mixing

- Add a small amount of Extreme Number One to water in the mixing tank. Sprinkle slowly into turbulent water when mixer is on high.
- Increase the quantity added of Extreme Number One if hole conditions are difficult.
- For fast mixing, add Extreme Number One to a small amount of vegetable oil first and then pour quickly into turbulent water.
- Packaging- 5 gallon, High Impact plastic pails with a Snap-On lid.

Principal Uses

- The Number One choice for demanding hole conditions when Bentonite is unavailable or unwanted.
- "One product" drilling fluid.
- Excellent for winter. Product does not freeze in container.
- Economical. Ultra High Grade means less product required on jobs and less product to fly into remote sites.
- Lifts cuttings and stabilizes the hole.
- Reduces torque and drag in the hole. Greatly reduces swelling of clays and shale's.
- Can be used to make stiff foam for air drilling.
- Extremely effective.
- Environmentally friendly.



Linseed Soap

A premium lubricant made of 100% Linseed Soap in the form of a thick paste.

Mixing

- Most common application is to fill core lifter case with a quantity of Linseed Lube.
- Alternate method is to swab entire inner tube with Linseed Lube after the inner tube has been cleaned.
- Can be mixed directly in the mixing tank or allowed to dissolve in the water barrel.

Principal Uses

- Provides lubrication to core tube and drill string.
- Prevents cuttings and clays from becoming sticky.
- Allows core to enter tube faster and more freely.
- Reduces torque and vibration when dissolved in water supply tank.



Drill Rod Grease

Extremely tacky, hydro-treated neutral base oil and additives as a thick composition.

Application

- Apply to drill rods in a quantity sufficient for the hole conditions.
- Most conveniently applied with gloved hands by smearing onto drill rods.

Principal Uses

- For lubricating diamond drill rods.
- Prevents and reduces vibration in dry holes or when drilling with water.
- Long fibered texture acts with tackifier to form a tenacious bond with drill rods.
- Special formula resists water wash-off.
- Easily applied to wet drill rods.



Super Trol

Supreme Grade Polyanionic Cellulose in powder form.

Mixing

- When using Extreme Super Trol with a Bentonite-base mud, ALWAYS ensure that the Bentonite is well mixed in water BEFORE adding Super Trol. Then, sprinkle in 2 lbs to 4 lbs of Super Trol and allow to mix well with the mixer on high.
- For fast mixing: add Super Trol to vegetable oil first and pour quickly into turbulent drilling fluid.
- For a single-product drilling fluid, add Super Trol to vegetable oil and pour quickly into water with mixer on high.
- If adding Super Trol without vegetable oil, it must be sprinkled slowly into turbulent water with the mixer on high.

Principal Uses

- Excellent mud conditioner for Bentonite-base drilling fluids.
- Reduces the quantity of Bentonite required. Acts with Bentonite to form extremely tough filter cake on the wall of the drill hole.
- Prevents clay from swelling. Provides hole stability and viscosity.
- Increases lubricating qualities of drilling fluid.
- Prevents water from wetting sensitive formations. Can be used with water only as a single-product drilling fluid.
- Environmentally-friendly.



Rig Wash

An industrial strength degreaser suitable for cleaning diamond drill rigs and equipment.

Application

- Dilute Extreme Rig Wash with warm water as necessary to clean surfaces & scrub with brush.
- For stubborn cleaning jobs, soak area with Extreme Rig Wash straight from the pail, wait five minutes and scrub with brush.



Super-G Blue

Environmentally friendly, liquid drilling fluid polymer.

Mixing

- Per 250 gallons volume, add 4 to 8 litres of Extreme Super-G Blue to the mixing tank after an equal amount of Extreme Super-G Liquid has been added and mixed first.

Principal Uses

- Extreme Super-G Blue is used in conjunction with Extreme Super-G Liquid to produce a superior drilling fluid for diamond core drilling, geotechnical drilling, horizontal directional drilling and other applications where a low solids, non shearing, bentonite free drilling fluid is preferred.
- Extreme Super-G Blue, when combined with Extreme Super-G Liquid produces a very effective drilling fluid for overburden, sand seams, kimberlites and swelling clay.
- Excellent hole cleaning, stabilization and lubricating qualities provide improved core recovery and fewer down-hole problems.
- The combination of Extreme Super-G Liquid and Extreme Super-G Blue provides maximum performance in a wide range of drilling applications.
- This drilling fluid combination can be used in fresh or brackish make-up waters and is an environmentally friendly drilling fluid.



Super-G Gold

Environmentally friendly, biodegradable, liquid drilling fluid polymer.

Mixing

- Per 250 gallons volume, add 4 to 8 litres of Extreme Super-G Gold to the mixing tank and mix well.
- Then add an equal amount of Extreme Super-G Blue to activate and enhance performance.

Principal Uses

- Extreme Super-G Gold is used as a biodegradable drilling fluid for diamond core, geotechnical, and horizontal directional drilling as well as other applications where a low-solids, non-shearing, bentonite-free drilling fluid is preferred.
- Provides a good "gel" base while exhibiting superior drill string lubrication and clay inhibition.
- Excellent hole cleaning and stabilization properties allow for improved core recovery and hole conditions.
- For maximum performance, combine with Super-G Blue in equal quantities.
- This combination provides effective results in a wide variety of drilling applications, including overburden, sand seams, kimberlites, and swelling clay.
- Super-G Gold can be used in fresh or brackish make-up waters, and is a non-polluting natural organic polymer.



Safe-T-Cote & Enviro Cote

Environmentally-friendly anti-seize compounds.

Application

- Swab onto diamond drill rod, casing and core barrel threads with a brush as needed.

Principal Uses

- Extreme Enviro Cote is an anti-Seize compound with exceptional resistance to water wash-off.
- It contains no heavy metal products.
- Special additives provide outstanding long lasting Extreme Pressure lubrication, anti-Galling characteristics and rust prevention.
- Suitable for all other commercial and industrial uses where a high quality environmentally friendly thread compound is required.
- Operating range is -25°C to $+163^{\circ}\text{C}$.



Torq-Eez

Selected pressure reducing lubricant in liquid form.

Mixing

- For hard rock drilling add 1/2 to 1 liter per 250 gallons of water.
- Paddle in gently at the suction tank. Increase quantity as required for severe torque. Friction caused by fault zones will also require increased quantities.
- For dry holes add 3 liters of Extreme Torq-EEZ to 15 liters of water and pour down the outside of drill rods.
- Two to Four pails of this mixture may be required for shallow holes and up to eight for holes deeper than 500 ft.

Principal Uses

- Extreme pressure lubricant.
- Reduces friction caused by hole deviation.
- Coats the metal components of a drill string which also prevents sticky talc and gouge cuttings from causing torque.
- Lubricating qualities keep the rods turning free.



Drilling Soda

Anhydrous sodium carbonate in the form of white hygroscopic powder for industrial use.

Mixing

- General levels of hard water (80-120ppm) and low pH (6-4) can be treated by adding 4-6 litres (dry measure) of Extreme Drilling Soda per 1000 Litres (250 Gallons) of water or mud in the mixing tank.
- Simply sprinkle the Extreme Drilling Soda into the mixing tank with the mixer on High to allow it to dissolve.
- Check values with litmus paper and add more Extreme Drilling Soda if required.

Principal Uses

- Used to precipitate out unwanted calcium hard-ness and to adjust the pH out of make up water.
- Optimum values for drilling fluids make up water would be a pH range from 7 to 10 and a calcium ion level below 60 parts per million.
- Both of these parameters can be checked using litmus paper.
- Bentonite drilling mud is particularly susceptible to these two parameters but other additives also benefit from properly treated make up water.



Kwik-Seal

A specially selected combination of granules, flakes and fibers of varying sizes, shapes and toughness. Available as Fine, Medium and Coarse material.

Mixing

- Blend enough Extreme Kwik-Seal into one half pail of existing drilling mud to make a thick but pourable mixture.
- Stir until all material is free from large lumps. Pour down drill rods with inner tube removed. Pump to bottom.
- If first attempt fails, repeat using increasing quantities of mud and Extreme Kwik-Seal. For severe loss zones use the coarse material.
- For best results treat the loss as soon as it occurs, make sure drill rods are off bottom 10' to 15' and rotate rods slowly (100 - 150 RPM) while pumping to bottom.

Principal Uses

- Each component of Extreme Kwik-Seal compliments the other to provide a faster more effective remedy to lost circulation.
- The combination of materials will penetrate fractures, Vugs or extremely porous zones to quickly bridge and seal off the formation.

Clay Seam

Liquid Polyacrylate Polymer for treating sticky, swelling clays, shales and talc seams.

Mixing

- Easily mixed. Just add 3 or 4 liters Extreme Clay Seam for every 250 gal. of existing drilling fluid (Bentonite, Polymer or water) with mixer on high.

Principal Uses

- Used to precipitate out unwanted calcium hardness and to adjust the pH out of make up water.
- Optimum values for drilling fluids make up water would be a pH range from 7 to 10 and a calcium ion level below 60 parts per million.
- Both of these parameters can be checked using litmus paper.
- Bentonite drilling mud is particularly susceptible to these two parameters but other additives also benefit from properly treated make up water.



Stop Jelly

Specially developed to absorb up to 500 times its own weight of water.

Application

- Place 5 litres of granules in 10 litres of water and allow to expand by soaking up the water.
- Place 1 or 2 litres of Stop Jelly directly down the drill rods when the core tube is out. Flush down hole.
- Replace core tube and drill. Repeat as necessary to stop loss.

Principal Uses

- Extreme Stop granules expand when in contact with water. The resulting product resembles large, clear, jelly cubes which are ideal for sealing cracks, fractures and voids.
- Extreme Stop is a very effective lost circulation material due to its ability to reform and reshape, fitting into all sizes and shapes of the loss zone.
- High swelling capability means economy due to less product required to stop loss. A little of this product goes a long way.
- Can be used with all types of drilling fluids and other lost circulation material.
- Does not bind rods in the hole like other fibrous products. Can be poured down the outside of drill rods on dry holes to reduce vibration.





Penetrol

A water miscible, non-ionic wetting agent, is designed to counteract the sticking tendencies of clay.

Application

- **RECOMMENDED TREATMENT:**
Added uniformly through entire circulation system. 1 to 4 quarts of PENETROL per 100 gallons of drilling fluid or 2.5 to 10 liters of PENETROL per m3 of drilling fluid.
- **AS A SLUG DOWN DRILL RODS:**
1 to 2 quarts of PENETROL per drill rod or 1 to 2 liters of PENETROL per drill rod. (To counteract the sticking tendencies of clay)
- **ALTERNATE APPLICATION:**
Dilute 1 gallon of PENETROL with 10 gallons of water and inject one gallon of mixture per minute into the pump suction.
OR:
Dilute 3.8 liters of PENETROL with 38 liters of water and inject 3.8 liters of mixture per minute into the pump suction.

Principal Uses

- Reduce or eliminate bit balling.
- Reduce surface tension of drilling fluid, which allows faster chip removal without continuously grinding the hard shale formations.
- Improve drilling efficiency by preferentially coating the bottom-hole assembly and drill string.
- Minimize differential sticking.
- Increase bit life and reduce drill pipe and bottom-hole assembly wear.
- Easy to mix, Compatible with other Baroid drilling fluid additives.
- Biodegradable—NSF/ANSI Standard 60 certified.

Foam

Biodegradable liquid, high foam mixture for use with fresh, hard or saltwater solutions for air drilling.

Mixing

- **DRY AIR DRILLING & DUST SUPPRESSION:**
0.5 to 1 pint per 100 gallons water
- **MIST DRILLING IN STICKY CLAYS:**
1 to 2 quarts per 100 gallons water
- **ALL PURPOSE FOAM DRILLING:**
0.5 to 2 gallons per 100 gallons water
- **GEL/FOAM DRILLING:**
0.5 to 2 gallons per 100 gallons water
- **BATCH TREATMENTS TO CLEAN THE HOLE:**
1 pint foam and 5 gallons water added directly to the drill pipe
- Extreme Foam should be added after mixing Bentonite Gel or Extreme Alkamer Liquid Polymer for superior stiff foam drilling.
- Inject at a rate of 10 to 20 gallons per hour. Gel/Foam and stiff foam mixtures are injected at 5 to 10 gallons per hour.

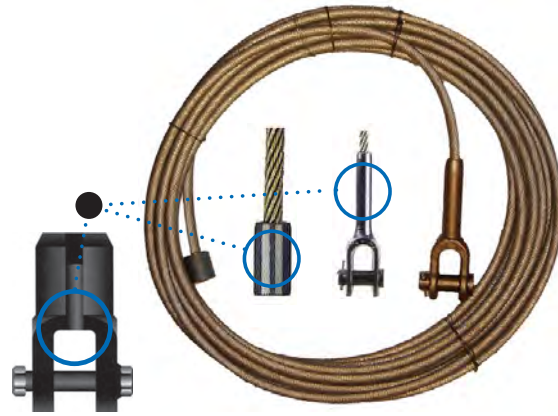
Principal Uses

- Increases penetration rate and improves hole cleaning capabilities.
- Ideal for drilling through lost circulation zones and for reducing compressor requirements.
- Effectively foams water flows to improve drilling conditions and depth capacity.
- Eliminates sticking tendencies of clays, preventing mud rings.
- Provides maximum foam quality in small concentrations and is very effective in fresh, hard or salty make up waters.

CABLE CLEVIS			
ROPE DIAMETER	PIN DIA	WT.	ITEM
1/2	7/8	4.18	CL0001
9/16-5/8	1-1/8	7.38	CL0002
3/4	1-1/8	9.50	CL0003

A low cost, specially designed and tested ferrule is applied to the rope, while our cable clevis is installed in the field.

The cable clevis can be reused many times, offering ease of use and great economic value. It has been tested to be 100% efficient up to 5/8" wire rope.



DRILLERS HOIST CABLES							
DIA	LENGTH	ROPE	DRUM ANCHORAGE	LIVE END	ROTATION CHARACTERISTICS	NBL LBS	ITEM
3/8	75	CP8	Plain	Socket	Good	18,000	DDH-006C8-075S
1/2	75	CP18	Ferr-Choker	Socket	Good	30,000	DDH-008CP-075SF
1/2	95	CP18	Ferr-Choker	Socket	Good	30,000	DDH-008CP-095SF
14.0mm	90	Soliflex	Plain	Socket	Best	44,060	DDH-14S-090S
5/8	70	CP18	Plain	Socket	Good	33,600	DDH-010CP-070S
5/8	65	18X7	Ferr-DD	Socket	Poor	33,600	DDH-010NR-065SF
5/8	70	18X7	Plain	Ferr-DD	Poor	33,600	DDH-010NR-070F
16.0mm	70	Soliflex	Plain	Ferr-DD	Best	57,090	DDH-16S-070S
5/8	70	18X7	Ferr-DD	Ferr-DD	Poor	33,600	DDH-010NR-070FF
5/8	70	18X7	Plain	Socket	Poor	33,600	DDH-010NR-070S
16.0mm	70	Soliflex	Plain	Socket	Best	57,090	DDH-16S-070S
16.0mm	70	Soliflex	Ferr-DD	Socket	Best	57,090	DDH-16S-070SF
16.0mm	75	Soliflex	Plain	Ferr-DD	Best	57,090	DDH-16S-075F
5/8	75	18X7	Plain	Ferr-DD	Poor	33,600	DDH-010NR-075F
5/8	75	18X7	Plain	Socket	Poor	33,600	DDH-010NR-075S
5/8	80	18X7	Ferr-DD	Socket	Poor	33,600	DDH-010NR-080SF
5/8	90	18X7	Ferr-DD	Ferr-DD	Poor	33,600	DDH-010NR-090FF
5/8	90	18X7	Ferr-DD	Socket	Poor	33,600	DDH-010NR-090SF
16.0mm	90	Soliflex	Plain	Socket	Best	57,090	DDH-16S-090S
16.0mm	100	Soliflex	Plain	Socket	Best	57,090	DDH-16S-100S
16.0mm	115	Soliflex	Ferr-DD	Ferr-DD	Best	57,090	DDH-16S-115F
16.0mm	115	Soliflex	Plain	Socket	Best	57,090	DDH-16S-115S
3/4	70	CP18	Plain	Socket	Good	65,600	DDH-012CP-070S
19.0mm	90	Soliflex	Plain	Socket	Best	82,050	DDH-19S-090S
3/4	107	18X7	Ferr-DD	Socket	Poor	48,000	DDH-012NR-107SF
22.0mm	115	Soliflex	Plain	Plain	Best	106,780	DDH-22S-115
22.0mm	115	Soliflex	Plain	Socket	Best	106,780	DDH-22S-115S
22.0mm	175	Soliflex	Plain	Socket	Best	106,780	DDH-22S-175S
22.0mm	210	Soliflex	Plain	Socket	Best	106,780	DDH-22S-210S
7/8	210	18X7	Ferr-DD	Socket	Poor	65,000	DDH-014NR-210SF
7/8	210	CP18	Ferr-DD	Socket	Good	90,800	DDH-014CP-210SF
22.0mm	210	Soliflex	Ferr-DD	Socket	Best	106,780	DDH-22S-210SF

We offer a large selection of driller's hoist cables. One of the most common arrangements is with an open swage socket applied at the outside end which works with your water swivel or hoist plug. Sockets are generally 100% efficient.

Another common configuration sees a drum line ferrule applied to connect to the drum. Please disclose any special sizes that may apply. This will ensure that you get a quality product that performs as soon as possible.

WIRELINE				
DIA.	DESCRIPTION	BS- LBS	WT.	ITEM
3/16	3x7 Swaged	5,400	0.1	WRSW-003
1/4	3x7 Swaged	7,000	0.13	WRSW-004
1 1/64	1 1/64 OD Armoured	4,000	0.08	ACARM003

WIRE ROPE CUTTERS & CRIMPERS			
LENGTH. IN.	WT. LBS.	CABLE SIZE	ITEM
26	5.8	1-1/6-3/16	CUTHS600
26	6.5	1-1/6-3/16	CUTISC
28	5.0	1/4	CUTHS1000

3/16" 3X7 LEFT LAY		
WIRELINE- BS 5,400 LBS		
REEL LENGTH	WEIGHT	ITEM
500	61	WRSW-003x00500
1000	124	WRSW-003x01000
1667	202	WRSW-003x01667
2000	230	WRSW-003x02000
2500	303	WRSW-003x02500
3333	404	WRSW-003x03333
6666	808	WRSW-003x06666
10000	1202	WRSW-003x10000



Swaged Wireline

3/16" and 1/4" cable in various lengths. 3x7 left lay strand cable with a nominal breaking load of 5,300 lbs.

Armoured Wireline

1 1/64" aircraft cable with tough armoured reinforcement. 1x19" strand cable with a breaking strength of 4,000 lbs.



YARDING BLOCKS	
DESCRIPTION	ITEM
1/4"-5/16" WL, 3" Dia.	OCB-3
3/8" WL 4" Dia.	OCB-4



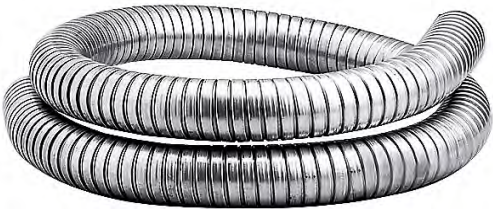
Yarding Blocks

The eye on these blocks can be easily removed, allowing for quick access to the sheave. Reliable under load, yarding blocks are economical options as a general snatch block, with minimal risk of the rope slipping out of the sheave.

MUFFLER CLAMPS	
SIZE	ITEM
1.5	DYN-11225
2	DYN-11229
2.5	DYN-11232
3	DYN-11234
3.5	DYN-11235
4	DYN-11236



FLEXIBLE EXHAUST TUBE - 25 FOOT ROLL	
SIZE	ITEM
1.5	GRT-6-15
2	GRT-6-2
2.5	GRT-6-25
3	GRT-6-3
3.5	GRT-6-35
4	GRT-6-4



WIRE LINE COPPER OVALS		
DIA.	WT.	ITEM
3/16	0.016	NIC-CO-003
1/4	0.025	NIC-CO-004



NAS NYLON ABRASIVE SLEEVE					
ID	NOMINAL	1 WIRE	2 WIRE	4 WIRE	ITEM
	SIZE	HOSE SIZE	HOSE SIZE	HOSE SIZE	
0.82	13/16	#3, #4, #6	#4, #6	n/a	GNAS-082
1.00	1	#8	#8	#6	GNAS-100
1.13	1-1/8	n/a	n/a	#8	GNAS-113
1.25	1-1/4	#12	#12	#10	GNAS-125
1.58	1-9/16	n/a	n/a	#12	GNAS-158
1.78	1-3/4	#16	n/a	n/a	GNAS-178
1.91	1-15/16	#24	#16	#16	GNAS-191
2.03	2-1/16	n/a	#20	#20	GNAS-206
2.18	2-3/16	n/a	#20	#20	GNAS-218
2.38	2-3/8	n/a	#24	#24	GNAS-238
2.54	2-1/2	n/a	#24	n/a	GNAS-254
2.93	2-15/16	n/a	#32	#32	GNAS-293
3.34	3-3/8	n/a	n/a	n/a	GNAS-334



Nylon Sleeve Guard is made of woven nylon for complete hose coverage. It provides wear and abrasion protection and flexes freely while withstanding thousands of abrasion cycles. Slides over the hose for fast & easy installation.

UNIVERSAL 20' HYDRAULIC HOSES. 2 WIRE		
DESCRIPTION	SIZE	ITEM
3/8" x 20' With JIC Swivel	#6	PH122-06X20J
1/2" x 20' With JIC Swivel	#8	PH122-08X20J
3/4" x 20' With JIC Swivel	#12	PH122-12X20J
1" x 20' With JIC Swivel	#16	PH122-16X20J

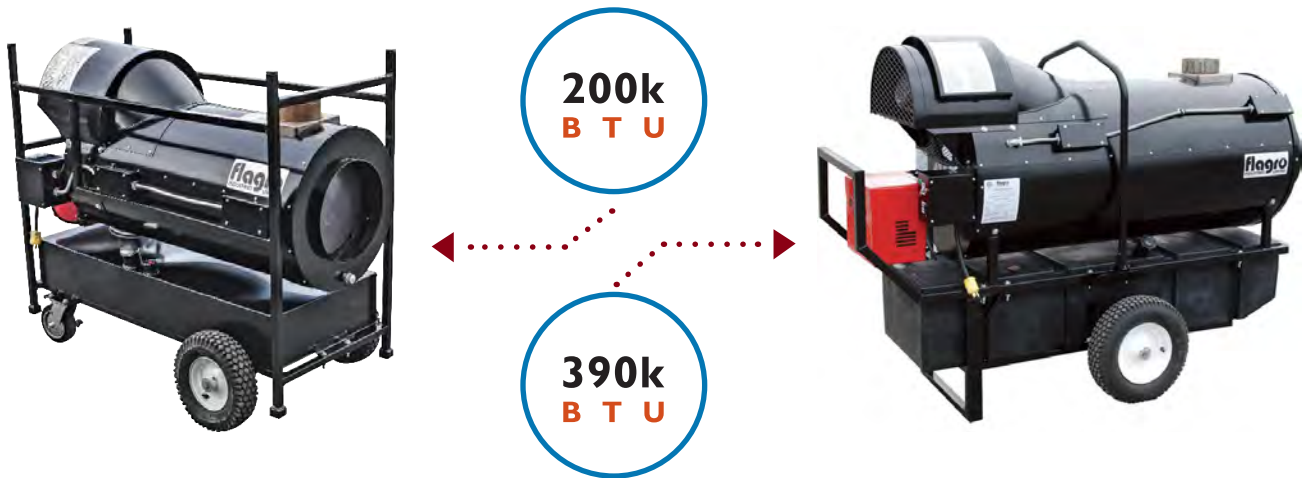
UNIVERSAL 20' HYDRAULIC HOSES. 4 WIRE		
DESCRIPTION	SIZE	ITEM
3/8" x 20' With JIC Swivel	#6	PH124-06X20J
1/2" x 20' With JIC Swivel	#8	PH124-08X20J
3/4" x 20' With JIC Swivel	#12	PH124-12X20J
1" x 20' With JIC Swivel	#16	PH124-16X20J



2 wire or 4 wire configuration. Ask about our expansive selection of hydraulic hose fittings and accessories.

FIRE IT UP

COMPLETE LINE OF HEATERS & FURNACES FOR ANY SPACE



- Indirect fired heat exchanger allows for external exhaust of combustion products. Provides 100% clean dry heat to the desired area.
- Fully welded heat exchanger with proven extended life in the harshest climates. Can be thermostatically controlled (optional).
- Heavy duty pneumatic tires and slim design provides for easy site mobility and transportation. With a rugged steel frame - FVO200 is stackable for transportation and storage purposes.

- Your choice of heating oil, diesel, kerosene, propane, or natural gas models. Has built-in fuel tank fitted with a fuel level gauge and clear fuel lines.
- All models include new 'Smart Indicator' which shows possible job site power issues and helps with service and troubleshooting in the field.
- cETLus approved.

INDIRECT OIL HEATERS	
BTU	ITEM
200,000	FVO200RC
400,000	FVO400RC

THERMOSTATS	
DESCRIPTION	ITEM
Universal	F-FVTHB
12' OEM BLOWER HOSE	
12' Hose	F-FVHD12



RIDGID STRAIGHT PIPE WRENCH			
SIZE	CAPACITY	WT.	ITEM
10	1.50	3.87	DDR31010
12	2.00	6.08	DDR31015
14	2.00	7.74	DDR31020
18	2.50	12.71	DDR31025
24	3.00	21.55	DDR31030
36	5.00	41.99	DDR31035
48	6	113.26	DDR31040

RIDGID ALUMINUM STRAIGHT PIPE WRENCH			
SIZE	CAPACITY	WT.	ITEM
10	1.50	1.00	DDR31090
12	2.00	2.50	DDR47057
14	2.00	2.50	DDR31095
18	2.50	3.25	DDR31100
24	3.00	6.00	DDR31105
36	5.00	11.00	DDR31110
48	6	8.50	DDR31115



**STANDARD
CAST-IRON**



**LIGHTWEIGHT
ALUMINUM**

Sturdy, cast-iron housing and I-beam handle with full floating forged hook jaw, featuring self-cleaning threads with replaceable hook and heel jaws. In compliance with GGG-W65IE, Type II, Class A.

REPLACEMENT HOOKS		
SIZE	WT.	ITEM
10	1.1	DDR31605
12	1.5	DDR31630
14	2.1	DDR31655
18	3.4	DDR31670
24	4.9	DDR31695
36	9.5	DDR31720
48	16.4	DDR31745

REPLACEMENT HEELS		
SIZE	WT.	ITEM
10	0.2	DDR31610
12	0.4	DDR31635
14	0.4	DDR31635
18	0.5	DDR31675
24	0.7	DDR31700
36	1.2	DDR31725
48	1.7	DDR31750

REPLACEMENT NUTS		
SIZE	WT.	ITEM
10	0.2	DDR31755
12	0.4	DDR31615
14	0.4	DDR31645
18	0.5	DDR31665
24	0.7	DDR31685
36	1.2	DDR31710
48	1.7	DDR31735

SPRING KITS		
SIZE	WT.	ITEM
10	0.2	DDR31620
12	0.4	DDR31640
14	0.4	DDR31660
18	0.5	DDR31680
24	0.7	DDR31705
36	1.2	DDR31730
48	1.7	DDR31755



RASTALL MINERS WRENCHES	
DESCRIPTION	ITEM
NON Hammer	RAS-RS12
Hammer	RAS-RS12H



Hammer head heat treated separately to Rc 50-60. Very close fit tolerance between knurl & travelling jaw, so jaw does not skip over knurl when pressure is applied. Meets all U.S. and Canadian specifications. Opens to same size as 15" adjustable but is only 1/2 the weight (opening is 1-3/4"). Drop forged heat treated – precision machined. Weighs 1.55 lbs.

BEAVER WRENCHES		
OPENING	WEIGHT	ITEM
1-5/16"	5.8 oz	RAS-BV-06
1-9/16"	10 oz	RAS-BV-08
1-15/16"	1.2 lb	RAS-BV-10



The widest opening wrench in its class, Rastall Beaver Wrenches have a heavy duty construction, are made of high grade alloy steel, and are drop-forged & heat-treated.

LEE KERR TUBE WRENCHES-PARTICLE			
SIZE	WEIGHT	ITEM	
AIT 1.288"	4	DD-102660	
AIT-TK 1.398"	4	DD-104478	
ABDGM 1.355"	4	DD-104578	
AW-34 1.562"	4	DD-104678	
BIT 1.690"	4	DD-106638	
BIT-TK 1.820"	4	DD-108648	
BDBGM 1.830"	4	DD-108548	
BTW 1.835"	4	DD-108568	
NIT 2.190"	4	DD-102488	
NIT-TK 2.250"	4	DD-104402	
N.2 2.250"	4	DD-106401	
NXE 2.312"	4	DD-108402	
NTW 2.421"	4	DD-106400	
LTK-48 1.560"	4	DD-106408	
HIT (NIT OUTER) 2.875"	4	DD-102668	
PIT 3.750"	4	DD-104648	
HTW 3.084"	4	DD-102670	



GENERIC BRAND WRENCH SET	
DESCRIPTION	ITEM
14 Piece 3/8-1-1/4"	HJU-CW14S
14 Piece 8.0-22MM	HJU-CW14M
10 Piece 1-3/8-2"	HJU-CW10J

The Particle Inner/Outer Wrench. All particle wrenches are made with 100% molded parts designed by Lee Kerr. This ensures accuracy and consistency in all of our wrenches. Our unique carbide application process allows complete coverage of the entire surface area. This guarantees that the wrench will have a long life and maintain flawless performance for the duration of its use.

We have 10-14 piece wrench sets in stock, including SAE, Metric, Jumbo SAE, and other assorted kits.



TACHOMETER	
DESCRIPTION	ITEM
Non Contact	TC-ES1333

New dual function Laser Photo & Contact tachometer with 12 different measurement types. Laser method allows for longer detection distance, up to 6 feet away. Contact function adds distance and frequency measuring to the units capability. Also features max/min/average memory and continuous backlit LCD display.

ANGLE GAUGE	
DESCRIPTION	ITEM
Magnetic	EMPIRE-36



Measures in 1° increments. The damped pendulum and easy reading dial with hairline markings make this tool much more accurate than bubble type levels. Well made of tough, high impact plastic. 4-1/8" diameter with magnetic base.

PUNCH & CHISEL SET	
DESCRIPTION	ITEM
24 Piece	J775513



24 piece set, made of the highest grade carbon steel & accurately hardened and tempered.

ROLL PIN PUNCH SET	
DESCRIPTION	ITEM
6 Piece	J775526



6 piece set includes sizes: 3/32, 1/8, 5/32, 3/16, 1/4, 5/16". Working ends hardened to HRC 52-58. Striking end hardened to HRC-42 maximum and won't chip or mushroom.

DEAD BLOW HAMMER	
DESCRIPTION	ITEM
1 Lb.	J740912
1-1/2 Lb.	J740913
2 Lb.	J740914
3 Lb.	J740915



Single piece body made out of PVC, filled with steel shot. Orange colour for high visibility.

FIRE RETARDANT TARPS	
DESCRIPTION	ITEM
10x30	IP-10x30FR
18x24	IP-18x24FR



NFPA701 & CAN/ULCS 109 Tagged. Rope Reinforced Edges & Grommets Every 18". 12 Mil. Thickness Reinforced Corner Guards & Hemmed Edges. 14 x 14 Mesh Count .100% Water Proof. Rot Proof & Mildew Resistant. 1200 Denier Arctic Flexibility .3 Ply Material & UV Blocker.

SHOVELS	
DESCRIPTION	ITEM
Round Point	HJU-PRL-P
Track Shovel	DOC-645272



An assortment of general-use shovels, appropriate for most tasks in the field.

CHISEL POINT	
DESCRIPTION	ITEM
60"	HJU-CP18



Economical tool, 18 lbs and 60".

BACKPACK FIRE PUMP	
DESCRIPTION	ITEM
5 Gallon Backpack	-



Rugged and virtually indestructible, this model replaces the conventional galvanized steel tank with a thick-walled polyethylene product that has a 5 gallon capacity.

PULASKI FIRE AXE	
DESCRIPTION	ITEM
Pulaski Fire Axe	HJU-100350



3.5 lbs with a 36" hickory handle.



12V DC FUEL TRANSFER PUMP	
DESCRIPTION	ITEM
20GPM Heavy-Duty Fuel Transfer Pump	FR4204H

The Fill-Rite FR4204H model with NPT fittings is a 12V DC heavy-duty, cast-iron, rotary vane fuel transfer pump that is capable of generating up to 20GPM. It is designed to handle flammable liquids such as gasoline, diesel, biodiesel blends up to B20, ethanol blends up to E15, kerosene, and mineral spirits. The FR4204H model includes limited accessories. Made in the USA with a UL/cUL Listed Motor and limited lifetime warranty, this product is ideal for agriculture, construction, as well as any industry requiring mobile fuel transfer.

- Adjustable electric junction box rotates 180°
- Heavy-duty power switch withstands heavy abuse in rugged environments
- Focused weight reduction while preserving expected heavy-duty performance
- Thermally protected motor prevents overheating to maximize motor life
- Premium paint shield for exemplary corrosion resistance
- UL/cUL listed motor



POLAR FLEX CURB PUMP HOSE	
DESCRIPTION	ITEM
3/4" x 15'	G626-075MLML15
3/4" x 20'	G626-075MLML20
3/4" x 25'	G626-075MLML25
1" x 15'	G626-100MLML15
1" x 20'	G626-100MLML20

Male pipe ends are chrome plated brass. Hoses are supplied with a solid, permanently installed fitting on one end and a live swivel, reusable fitting on the other end.

TUBE smooth, black, gasoline and oil resistant synthetic rubber
REINFORCEMENT spiral layers of polyester cord with static wire
COVER smooth, blue, oil resistant rubber
TEMPERATURE RANGE -55°C (-67°F) to 80°C (176°F).



-40C RATED NOZZLE - AUTOMATIC	
DESCRIPTION	ITEM
3/4" Pressure Activated Nozzle	G69PA-LT-075-B
1" Pressure Activated Nozzle	G69PA-LT-100-Y

GREASE ZERKS	
DESCRIPTION	ITEM
Grease Zerks	J350259

LW93169
32" Curved LED Flood/Spot Lamp



- Lumens 16,200
- Adjustable Mounts Allow for Flexible Aiming of Beam
- 18 ft Plug & Go Harness with in dash ON/OFF switch, relay & fuse included.
- Dual Mount System: Side & Bottom Brackets Included
- EMC CE, IP Rating IP69K, RoHs Certified



UB-LW4329
ULTRA Series LED Flood Lamp

- Raw Lumens: 21,600 | Effective Lumens: 10,400
- ETM (Electronic Thermal Management)
- Sealed Deutsch Connectors (both female & male mating connectors)
- Pressure Relief Valve
- Heavy Duty Mounting Bracket
- UL/cUL listed motor



UB-LW4262
Square LED Flood Lamp

- Adjustable Stainless Steel Mounting Bracket
- Lumens 3,120
- Opt. Penetration 500 ft
- Voltage 10V – 30V
- Beam Pattern Wide Flood
- EMC CE; ECE R10.05
- IP Rating IP67, IP69K



UB-LWP6800H
LED Headlamp

- High Beam / Low Beam / Turn Signal / Parking
- Legal on Road Use
- Tempered Glass with Automatic Heated Lens
- Lumens High/Low: 3,600/1,800
- Deutsch connector (both female & male mating connectors included)
- Heavy Duty Shock Absorbing Mount



UB-E2210ACM
Amber LED Low Profile Warning Light – Magnetic Mount

- Low profile design with powerful 360° light output
- Flash Pattern - 23 Patterns
- LED 30 x 1W
- EMC Certified



UB- E333AM
3.75" Amber LED Beacon

- Simple design, installation & Cigarette Plug with Pattern Selection Switch
- Flash Patterns include: Rotating, Quad & Quint
- Surface Mount option available
- IP Rating IP66



UB-EW2060A
6ft Fully Lit LED Whip

- Working temperature (down to -40°C)
- Length 6 ft
- 12V DC Operation
- Mount Type: Quick Disconnect
- This product comes in different colours & lengths

TARTAN FILAMENT TAPE	
DESCRIPTION	ITEM
18mm x 55M	3M-86519
24mm x 55M	3M-86520
48mm x 55M	3M-86521

CASE LOTS	
18mm x 55M	3M-86519-48
24mm x 55M	3M-86520-36
48mm x 55M	3M-86521-24



Tartan Filament Tape

Glass filament reinforced tape for light duty strapping, bundling, and reinforcing. This tape has a synthetic rubber resin adhesive with good adhesion to most fiberboard, plastic, and metal surfaces. Available individually or in case lots (18mm x 48 rolls, 24mm x 36 rolls, 48mm x 24 rolls).

ELECTRICAL TAPE	
DESCRIPTION	ITEM
3/4x60	ITC-026702
10 Pack	ITC-026702-10



Electrical Tape

CSA approved black electrical tape (3/4" x 60' x 0.18mm). Has an operating temperature of -7°C to 80°C and comes in sleeves of 10.

TEFLON TAPE	
DESCRIPTION	ITEM
1/2x520 Inch	G10P
Pink Heavy	G10PH
1/2- Propane	G10PG



Teflon Tape

Available in various sizes:

- 1/2" x 520"
- 1/2 x 260" - Pink Heavy Duty
- 1/2 x 540" - ULC listed for natural gas

DUCT TAPE	
DESCRIPTION	ITEM
2x60	TGT2x60



Duct Tape

Classic and effective, we carry rolls sized 2"x 180'.

TAGS	
DESCRIPTION	ITEM
Fuel Can Warning Tag - Gasoline (Bilingual)	TAG-1
Fuel Can Warning Tag - Mixed Gasoline (Bilingual)	TAG-2
Fuel Can Warning Tag - Dyed Diesel Fuel (Bilingual)	TAG-3
Fuel Can Warning Tag - Anti-Freeze (Bilingual)	TAG-4
Fuel Can Warning Tag - Waste Oil (Bilingual)	TAG-5
Fuel Can Warning Tag - Hydraulic Oil (Bilingual)	TAG-7

Bilingual Material ID Tags

Ensure compliance and offer easy visual information on select chemical products common in many work settings. Dual sided, plastic tags.



TIE WIRE, RAGS, & CUTTING WHEELS

TOOLS & SUPPLIES

BURLAP - 100Z.	
DESCRIPTION	ITEM
12x12-100/Bdl	DDX3050DB
Rolls Bulk	DDX-Burlp10



Jute Burlap Squares

Heavy duty burlap 12"x12" pieces in bundles of 100. Saves time and effort, bypassing the need to cut up large burlap bags. Also available in Bolts.

CUTTING WHEELS	
DESCRIPTION	ITEM
4-1/2"x.045x7/8	J501571
5"x.045x7/8	J501576



Cutting Wheels

Manufactured with the most advanced technology of grains, bonds, and reinforcements, POW-ERPLUS TZ+ thin wheels are simply the best product for fast & efficient cutting of all steel & stainless steel materials. Designed and formulated to ensure absolute peak performance, resistant free cutting and great wheel life, these wheels are free of any Fe+S+Cl.

JIGGLE HOSE	
DESCRIPTION	ITEM
Jiggle Hose	DOC-648678



Jiggle Hose

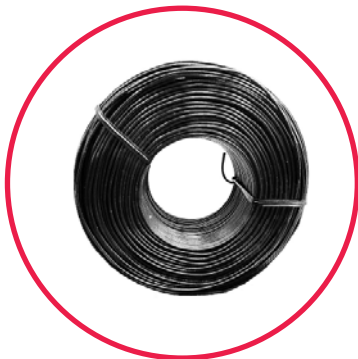
Prevent unsafe and messy spills with an easy way to siphon liquids. This non-static, 2 meter x 1/2" hose offers a simple solution to a common issue.

TIE WIRE		
DESCRIPTION	APPROX. FEET	ITEM
18 Gauge Black	330	HJU-TW18
16 Gauge Black	336	HJU-TW16
18 Gauge SS	157	HJU-TW18



Stainless Steel Tie Wire

16-18 gauge durable wire for large range of applications. Black or stainless steel.



RAGS - 10 LBS	
DESCRIPTION	ITEM
Rags - 10 Lbs	RAG-10LBS



Rags

Clean & buttonless rags in a compressed 10 lb package. Come in multi-coloured packs.



POLYWOVEN BAGS		
SIZE	CAPACITY	ITEM
10 x 14"	15	S-15518
12 x 20"	25	S-11052
12 x 38"	90	S-13896
18 x 24"	60	S-14490
18 x 30"	75	S-8420
20 x 36"	100	S-8421
24 x 40"	125	S-16504
30 x 36"	150	S-17705
36 x 48"	175	S-17706



SAMPLE BAGS		
DESCRIPTION	# PER PACK	ITEM
10x16 6mm Clear	500	SBC-10166
14x16 6mm Clear	250	SBC-14166
12x18 6mm Clear	500	SBC-12186
18x24 6mm Clear	250	SBC-18246



GARBAGE BAGS		
DESCRIPTION	# PER PACK	ITEM
Regular - 26x36 3mm Black	100	GBB-26363
Regular - 30x38 3mm Black	100	GBB-30383
Regular - 35x50 3mm Black	70	GBB-35503
Regular - 35x50 3mm Black	50	GBB-35503
Regular - 42x48 3mm Black	70	GBB-42483
Regular - 42x48 3mm Black	50	GBB-42483
Heavy Duty - 35x50 4mm Black	50	GBB-35504
Heavy Duty - 42x48 4mm Black	50	GBB-42484

PIPE SEALANT, FAST ORANGE, & STRETCHERS

PIPE SEALANT	
DESCRIPTION	ITEM
2 Oz Tube	G10L-2
4 Oz Tub	G10L-4
8 Oz Tub	G10L-8
8 Oz Tub-Lead	G10LM-8

FAST ORANGE - CLEANER	
DESCRIPTION	ITEM
3.78 Litre	Fast-25218

Fast Orange Cleaner

Waterless & biodegradable hand cleaner contains no harsh chemicals, mineral oils, or ammonia that can sting cuts and abrasions.



Stretchers & Accessories

Wire Basket Stretcher

Rugged protective wire basket stretcher with optional accessories, including straps, comfort pad, backboard, and stretcher bag.

Single Fold Stretcher

Sturdy aluminum tubular side poles, Rugged aluminum cross-spreader bars and feet. Vinyl-coated bed resists wear and stains. Durable rubber hand grips.

Double Fold Stretcher

Similar features as army pole stretcher with feet, plus folds neatly in half for space saving storage. Durable rubber hand grips.

STRETCHERS	
DESCRIPTION	ITEM
DYNAMIC™, STRETCHER - ALUMINUM, STRETCHERS & BACKBOARDS, DOUBLE FOLDING, 18 OZ VINYL-COATED NYLON, CLASS I, 350 LBS CAP, 80 3/4 X 5 1/2 X 80 3/4 IN, DEPTH 4 1/4 IN	FAFSA
DYNAMIC™, STRETCHER - ALUMINUM, STRETCHERS & BACKBOARDS, SINGLE FOLDING, 18 OZ VINYL-COATED NYLON BED, CLASS I, 350LBS CAP, 80 3/4 X 5 1/2 X 80 3/4 IN, DEPTH 4 1/4 IN	FAFSB
DYNAMIC™, STRAPS - STRETCHER, STRETCHERS & BACKBOARDS PARTS & ACCESSORIES, 3 STRAPS WITH VELCRO CLOSURE, 3/PK	FASSV3
DYNAMIC™, SPINAL BOARD, STRETCHERS & BACKBOARDS, WOOD, CLASS I MEDICAL, NO STRAPS	FASB01
DYNAMIC™, MATTRESS, MATTRESS, FITS IN BASKET STRETCHER	FAMWB
DYNAMIC™, STRETCHER - WIRE BASKET, STRETCHERS & BACKBOARDS, GAUZELLE BASKET STRETCHER, HIGH DENSITY POLYETHYLENE NETTING, CLASS I, 900 LBS CAPACITY, 24.5" X 82.5" X 7"	FAWBS



GLOVES

When we say **“One-Stop-Shop”**, we mean it. With drillers in mind, PRODrill has made sure to always stock the most robust and versatile gear you’re going to need. If we don’t have it, we can get it.

GLOVES	
SIZE	ITEM
Fitter’s - Cowhide	GL-LCU-XL
Fitter’s - Fleece	GL-FGLI-XXL
Insulated Hi Vis	GL-94006HHV-L
Stealth Cold War	GL-9392-L
Tough As Nails	GL-9N660
Frost Free	GL-491-L
Foamtastic	GL-W7340
Foamtastic - Gauntlet	GL-934I
Rig Pig - 3 Pack	GL-WB67-3PAK



Rig Pig (3 Pack)

GL-WB67-3PAK

- Fully coated nitrile/PVC blend for maximum protection against petrochemicals and is resistant to punctures and abrasions
- Double dipped resin finish for excellent wet/dry grip
- Durable rubberized safety cuff for additional wrist protection and easy on/off



Fitter’s - Cowhide

GL-LCU-XL

Grain cowhide leather glove with cotton lined palm and 2” plasticized cuff.



Fitter’s - Fleece Lined

GL-FGLI-XXL

Grain cowhide leather glove with cotton lined palm, 2” plasticized cuff, and fleece lining for added comfort.



Stealth Cold War

GL-9392-L

- NFN coating - 3/4 dipped soft and flexible NFN (New Foam Nitrile) coating offers superior wet/dry grip, excellent for oil-slick applications
- Snug-fitting knit wrist keeps out dirt and debris
- Seamless knit - Two layer seamless knit shell with heavy napped interior for exceptional comfort and warmth, treated with Actifresh® which kills bacteria and promotes freshness
- "Be safe, be seen" hi-vis safety yellow



Frost-Free

GL-491-L

- Heavyweight acrylic lining keeps hands warm in cold conditions
- Double dipped PVC with resin finish offers heavy duty protection while maintaining flexibility
- Textured finish ensures a sure-grip 12" gauntlet cuff for maximum protection



Hi-Vis Winter Flashback

GL-94006HHV-L

- 3M Thinsulate™ C100 lining keeps hands warm in cold conditions
- Smooth full-grain cowhide leather offers strength and durability
- "Be safe, be seen!" with hi-vis orange nylon back and nighttime reflective strips on knuckle
- Full leather index finger, hooded fingertips, knuckle bar and pulse protector for added reinforcement and protection
- Snug-fitting shirred elastic wrist with slip-on style safety cuff for easy on/off



Tough as Nails

GL-9N660

- Heavy duty nitrile coatings with 100% cotton interlock shell provides excellent grip for both wet and dry applications, offering resistance to oils, acids, caustics and alcohols
- Slip-on style safety cuff design for easy on/off and offers additional wrist protection



Foamtastic

GL-W7340

- Foam lining keeps hands warm in cold conditions
- Double-dipped PVC coating offers protection against liquids and resistance to abrasion
- Textured finish ensures a sure-grip when handling wet and dry materials
- Slip-on style safety cuff for easy on/off



Foamtastic - Gauntlet

GL-9341

- Warm foam lining for exceptional comfort and warmth
- 12" gauntlet cuff and snug wrist for maximum protection
- Double dipped PVC offers heavy duty protection while maintaining flexibility
- Textured finish ensures a sure-grip
- "Be safe, be seen" hi-vis safety orange

Glasses

We stock a variety of low-cost sunglasses, wrap-arounds, face shields, and safety eyewear appropriate for any workplace

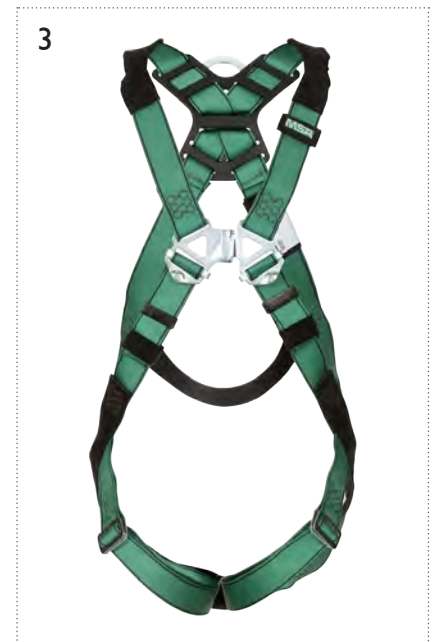
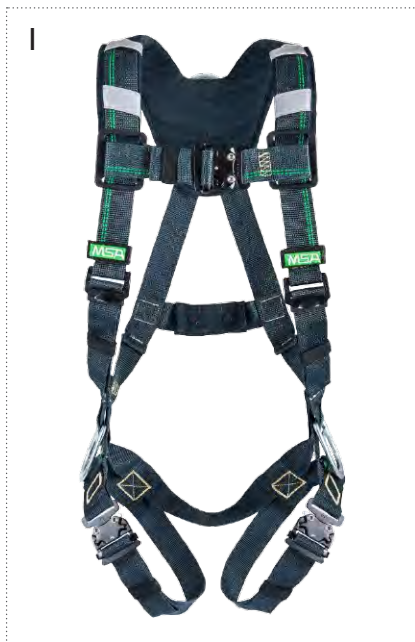
SAFETY GLASSES	
DESCRIPTION	ITEM
1 The Warrior - Black/Clear	DEP100MGC
The Warrior - Black/Smoke	DEP100MGS
2 Renegade Reader - 1.5 Diopter	DEP400TCGC1.5
Renegade Reader - 2.0 Diopter	DEP400TCGC2.0
Renegade Reader - 2.5 Diopter	DEP400TCGC2.5
3 Renegade - Grey/Clear	DEP400TGC
Renegade - Grey/Smoke	DEP400TGS
4 Basic-Dyna - Clear/Clear	DEP475C
Basic-Dyna - Smoke/Smoke	DEP475S
5 Over the Glass OTD - Mirror Lens	DEP750I/0*
Over the Glass OTD - Amber Lens	DEP750A
Over the Glass OTD - Clear Lens	DEP750C
Over the Glass OTD - Smoke Lens	DEP750S
6 The Techno - Clear/Clear	DEP850C
The Techno - Smoke Lens	DEP850S
7 SpectaGoggle - Clear/Black	DEP900C
SpectaGoggle - Smoke/Black	DEP900S
8 Ultra Specta Goggle - Mirror/Smoke	DEP910/0
Ultra Specta Goggle - Amber/Amber	DEP910A
Ultra Specta Goggle - Clear/Clear	DEP910C
Ultra Specta Goggle - Smoke/Smoke	DEP910S
9 Phantom OTG - Clear/Black	DEPMK01C
Phantom OTG - Mirror/Black	DEPMK01IO
Phantom OTG - Smoke/Black	DEPMK01S
Phantom OTG - Safety Shield	DEPMK01SHIELD
10 Cleaning Towlettes - Box of 100	DEP19



LANYARDS & SRLS				
TYPE	LENGTH	MATERIAL	DESCRIPTION	ITEM
Lanyard	6'	1" Web	V-Series standard single-leg adjustable energy absorbing lanyard, 6', 36C small snaphooks	10188100
Lanyard	6' (Y)	1" Web	V-Series standard twin-leg adjustable energy absorbing lanyard, 6', 36CL large snaphooks	10188101
Self-Retracting Lifeline	30'	3/16" Grade 316 Stainless Cable	Type 2 with Aluminium Housing & Carabiner	62810-00US
Self-Retracting Lifeline	50'	3/16" Grade 316 Stainless Cable	Type 2 with Aluminium Housing & Carabiner	62816-00US



HARNESSES - FALL PROTECTION		
#	STANDARDS	ITEM
1	OSHA, ANSI Z359.1, ANSI A10.32-2004, CSA Z259.10-06	EVOTECH Harness
2	OSHA, ANSI Z359.11, CSA Z259.10, EN:358:1999 / EN361:2002 / EN813:2008, ABNT I5835:2010 / ABNT I5836:2010 ASTM, ABNT I5835:2010 / ABNT I5836:2010 NON-ASTM	Gravity Harness
3	ANSI Z359.11, CSA Z259.10, EN 361:2002, EN 358:2018, ENI497:2017, CE Certificate	V-FORM Harness





Ice Bear 3 Season Boots

BAF-5157

- Cleated outsole for traction in ice and snow
- Acid and oil resistant neoprene upper
- Light weight Gel-Flex mid-sole for reduced fatigue
- PU base is cold crack tested to 50,000 flexes at -50C
- Metal free safety toe and plate with Electric Shock resistant sole
- Sizes 5-15 (full only) are available

BAFFIN ICE BEAR	
SIZE	ITEM
5	BAF-5157-05
6	BAF-5157-06
7	BAF-5157-07
8	BAF-5157-08
9	BAF-5157-09
10	BAF-5157-10
11	BAF-5157-11
12	BAF-5157-12
13	BAF-5157-13
14	BAF-5157-14
15	BAF-5157-15



Golden, Waterproof Work Boots

S41540

- Height : 15"/38 cm
- Lightweighted and waterproof PU boot, blended for a greater abrasion, tear, oil and acid resistance.
- Rigid internal METATECH System PLUS metguard protection, protects the top as well as the sides of the foot.
- Composite toe protector and puncture-resistant insole.
- Antitorsion polypropylene insole integrated into puncture-resistant insole.
- Antimicrobial treated lining.
- Removable insole made of PU foam for a long-lasting comfort.
- Slip resisting and stable PU Bering outsole blended for a greater abrasion and tear resistance.
- Inner eyelet for hanging, eases the drying process.
- Breathable neoprene insulated Neo sox included.

GOLDEN WATERPROOF WORK BOOTS	
SIZE	ITEM
5	S41540-05
6	S41540-06
7	S41540-07
8	S41540-08
9	S41540-09
10	S41540-10
11	S41540-11
12	S41540-12
13	S41540-13
14	S41540-14
15	S41540-15



Terminator Boots

USF109381

- Tecno Fiber Chemical resistant
- Kevlar stitches
- Comfort and protection at the ankle with the Unik Ankle Lock system
- 200 gr Thinsulate ,Viko Foam insulation / Artico lining.
- Waterproof On Tex Membrane
- Toe Cap and sole of Composite.
- Anti Torsion Supportek system
- Vibram Dri Ice EVA lightweight outsole Rubber Fire & Ice
- Vibram rubber Bumper toe
- Certified: CSA standard Z-195-14

TERMINATOR BOOTS	
SIZE	ITEM
5	USF109381-05
6	USF109381-06
7	USF109381-07
8	USF109381-08
9	USF109381-09
10	USF109381-10
11	USF109381-11
12	USF109381-12
13	USF109381-13
14	USF109381-14
15	USF109381-15



Stay dry & comfortable this season – grab a pair of **Miner 49er Rubber Boots** and **Bama Sockettes**

VIKING MUCKER BOOT	
SIZE	ITEM
7	VIK-VW49-07
8	VIK-VW49-08
9	VIK-VW49-09
10	VIK-VW49-10
11	VIK-VW49-11
12	VIK-VW49-12
13	VIK-VW49-13
14	VIK-VW49-14
15	VIK-VW49-15

BAMA SOCKS	
SIZE	ITEM
4/5	Bama-04/05
5/6	Bama-05/06
6/7	Bama-06/07
8/9	Bama-08/09
10/11	Bama-10/11
12/13	Bama-12/13
14/15	Bama-14/15



6 KIT TYPES

FOR COMPLIANCE WITH
ONTARIO OR MANITOBA
REGULATIONS FOR
DIFFERENT WORKFORCE SIZES



Single Drum Mini-Berm

- Dimensions
24" x 24" x 4"

4 Drum Mini-Berm (Dynaline)

- Dimensions
50" x 50" x 6"
- Chemical resistant to fuels, oils and most chemicals including acids
- Constructed of durable Chem-Shield™ and Arctic-Shield™ material
- Easily placed under valves and fittings, vehicles or machinery
- Appropriate for containment of waste water, petroleum products and various other chemicals



2 Drum Spill Pallet

- Dimensions
53" x 29" x 16½"
- Weight
63 lbs (29 kg)
- Uniformly Distributed Load
3,000 lbs (1361 kg)
- Containment Capacity
66 gallons (250 L)

4 Drum Spill Pallet

- Dimensions
53" x 53" x 11¾"
- Weight
90 lbs (41 kg)
- Uniformly Distributed Load
6,000 lbs (2722 kg)
- Containment Capacity
66 gallons (250 L)



Ultra-Utility Trays

- Keep messy drips and spills off warehouse and factory floors
- Heavy-duty polyethylene construction, will not rust or corrode
- Ribbed bottom keeps cans, pails and other containers elevated above any spills or leaks
- Nestable for easy storage when not in use

CAPACITY	LENGTH	WIDTH	HEIGHT	ITEM
52L	24"	24"	5-1/2"	14048
78L	36"	24"	5-1/2"	14049
103L	48"	24"	5-1/2"	14050



Oil-Only Contractor Grade Roll

47131901

- If your priority is economy and short-term use for oil spills, Contractor Grade absorbents are the perfect choice. These oil-only rolls are versatile enough to use for any outdoor spill.
- Highly absorbent MeltBlown polypropylene mat repels water and soaks up only oil and oil-based fluids
- Perfect for light-duty industrial, maintenance and general applications
- HighLoft construction is sturdy and soft
- Rolls are great for covering large surface areas, with perforations that allow you to tear rolls into different sizes



Oil-Only Contractor Grade Pads

47131901

- If your priority is economy and short-term use for oil spills, Contractor Grade absorbents are the perfect choice. These oil-only pads are versatile enough to use for any outdoor spill.
- Highly absorbent MeltBlown polypropylene mat repels water and soaks up only oil and oil-based fluids
- Perfect for light-duty industrial, maintenance and general applications
- HighLoft construction is sturdy and soft
- Pads are great for general cleanup applications



Oil-Only Commander Roll

47131901

- Durable FineFiber mat controls oil under machines and conveyors
- Most popular mat used in industrial cleanup applications
- Use near machinery, production areas and under assembly lines
- 3-ply construction is strong and absorbent to take command of leaks and spills and good for foot traffic
- Rolls are ideal for covering large areas
- Perforations allow you to tear rolls into different sizes based on your application
- Oil selective — repels water but absorbs oil and all oil-based fluids



Oil-Only Responder Pads

47131901

- Economical MeltBlown mat for effective oil response
- Best performing pad on water due to fast-wicking fibers
- Highly absorbent MeltBlown polypropylene mat repels water and soaks up only oil and oil-based fluids
- Floats even when completely saturated — most effective for marine spills
- Bright white color makes it easy to locate in spill emergencies
- Won't fall apart even when fully saturated



Oil-Only Spill Kit

47131905

- Small, economical kit that's great for grab-and-go convenience.
- Yellow tinted bag kit is perfect to tuck into a truck to handle leaks on the road
- Absorbs 3.7 gallons per kit
- Resealable bag contains 10 oil-only pads, 2 oil-only socks, a pair of gloves and a disposal bag and tie



Oil-Only Emergency Spill Kit

47131905

- Be prepared for fast response with a portable SpillTech® Oil-Only Emergency Spill Kit!
- Durable bag with zipper keeps contents clean and dry
- Packed with a variety of quality SpillTech® Oil-Only sorbents to handle nearly any type of small oil and other petroleum-based fluids — while repelling water
- Compact design is perfect for use in trucks or other equipment
- Adjustable shoulder strap for easy carrying



Oil-Only 20-Gallon OverPack Salvage Drum Spill Kit

47131905

- Be prepared for fast response with a SpillTech® Oil-Only OverPack Salvage Drum Spill Kit!
- Quick Response is Key
- Spills happen no matter how hard you try to avoid them. Forklifts knock over drums, tanks are punctured and transporters leak and drip. It is important to have the right sorbents on-hand when these spills occur to eliminate the slip-and-fall hazard. A quick response is the first order of business — and your best weapon — in the fight against spills. SpillTech® Spill Kits are packed with quality SpillTech® Products to help you clean up fast and comply with regulations.
- The Sorbents You Need Are All Inside
- Includes a variety of sorbents to handle spills of oil and other petroleum-based fluids — while repelling water; pre-packed in an X-rated DOT-approved 20-Gallon OverPack Salvage Drum. Self-contained Kit stores sorbent products for easy access as needed for spill control; saves time when quick response is necessary. Leakproof, twist-on lid is notched so you can easily tighten it with a 2x4 or pole. Polypropylene material with UV inhibitors is durable, lightweight and chemical-resistant.
- Customized for You
- Don't see what you're looking for We can customize a Spill Kit to your exact specifications, including the container, its contents and accessories, with no upcharge! Contact your local Distributor for details.

Oil-Only 55-Gallon Spill Kit

47131905

- Be prepared for fast response with a SpillTech® Oil-Only Spill Kit!
- Quick Response is Key
- Spills happen no matter how hard you try to avoid them. Forklifts knock over drums, tanks are punctured and transporters leak and drip. It's important to have the right sorbents on-hand when these spills occur to eliminate the slip-and-fall hazard immediately. A quick response is the first order of business — and your best weapon — in the fight against spills. SpillTech® Spill Kits are packed with quality SpillTech® Products to help you clean up fast and comply with regulations.
- The Sorbents You Need Are All Inside
- This Oil-Only kit includes a variety of sorbents to handle spills of oil and other petroleum-based fluids — while repelling water; pre-packed in an X-rated DOT-approved 55-Gallon Open Head Drum with Lever Lock. Self-contained Kit stores sorbent products for easy access as needed for spill control; saves time when quick response is necessary. Lever Lock Poly Ring ensures sealed and secure closure to protect sorbents from moisture, dirt and damage. Rust- and corrosion-free 100% polyethylene is durable to withstand rough handling.
- Customized for You!
- Don't see what you're looking for? We can customize a Spill Kit to your exact specifications, including the container, its contents and accessories, all with no upcharge! Contact your local Distributor for details.



Oil-Only Trucker Spill Kit

47131905

- Be prepared for fast response with a SpillTech® Oil-Only Spill Kit!
- Quick Response is Key
- Spills happen no matter how hard you try to avoid them. Forklifts knock over drums, tanks are punctured and transporters leak and drip. It is important to have the right sorbents on-hand when these spills occur to eliminate the slip-and-fall hazard. A quick response is the first order of business — and your best weapon — in the fight against spills. SpillTech® Spill Kits are packed with quality SpillTech® Products to help you clean up fast and comply with regulations.
- The Sorbents You Need Are All Inside
- Includes a variety of sorbents to handle smaller spills of oil and other petroleum-based fluids that truckers encounter on a regular basis — while repelling water; pre-packed in a handy bag. Self-contained, compact Kit stores sorbent products for easy access as needed for spill control; saves time when quick response is necessary. Small size; easily fits behind the seat of a truck.
- Customized for You
- Don't see what you're looking for We can customize a Spill Kit to your exact specifications, including the container, its contents and accessories, with no upcharge! Contact your local Distributor for details.



Oil-Only Premium Sock/Net Boom

47131907

- 100% polypropylene construction won't absorb water, guaranteed. And the UV-treated sleeve withstands 12 months of direct sunlight, making it ideal for long-term deployment.
- 100% polypropylene boom repels water so you use all of your absorbency on oil, guaranteed
- UV-treated sleeve withstands 12 months of direct sunlight
- Ideal for long-term deployment on open water; also good for immediate spill response
- Integrated connectors link booms together to create a containment system big enough to handle almost any spill size





BENTONITE	
DESCRIPTION	ITEM
Holeplug	DC-11047
Grout-Well DF	CET-88888



WELL SAND	
DESCRIPTION	ITEM
Well Sand #2	DD-44562



MONUMENT	
DESCRIPTION	ITEM
Monument	DC-37932



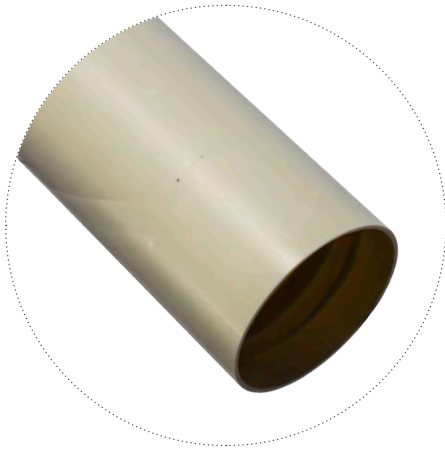
GROUNDWATER PRODUCTS	
DESCRIPTION	ITEM
Groundwater Filter	DC-WA-FHT45
Surge Valve	DC-WA-SBD25
Foot Valve	DC-WA-D25



EMPTY DRUMS	
DESCRIPTION	ITEM
Bung	DC-2415
Open with drum	DC-2523



FLUSH MOUNTS	
DESCRIPTION	ITEM
Alum 6x10	DC-41385
HDPE 10x12	DC-41385
Alum 8x10	DC-41385-810
Metal 8x8	DC-41385-88
HDPE 8x8	DC-41385-88H



RISER 2" X 5'	
DESCRIPTION	ITEM
2TPI	DC-41102
4TPI	DC-41186



SCREEN 2" X 5'	
DESCRIPTION	ITEM
2TPI	DC-41094
4TPI	DC-41188



J PLUG 2"	
DESCRIPTION	ITEM
No Thread	DC-43482



POINTS 2"	
DESCRIPTION	ITEM
2TPI	DC-43483
4TPI	DC-49554



CAPS 2"	
DESCRIPTION	ITEM
2TPI	DC-43448
4TPI	DC-49553
No Thread	DC-38573



HDPE 5/8-1/2 TUBING	
LENGTH	ITEM
100	DC-WA-HDPE010x100
200	DC-WA-HDPE010x200
500	DC-WA-HDPE010x500

LDPE 5/8-1/2 TUBING	
LENGTH	ITEM
100	DC-WA-LDPE010x100
200	DC-WA-LDPE010x200
500	DC-WA-LDPE010x500

SLING-CHOKER
M A N U F A C T U R I N G



PROdrill PRODUCTS CATALOGUE

BALMERTOWN

104 - 8 MCNEELY ROAD
BALMERTOWN, ON P0V 1C0

TELE : 807-735-3131
FAX : 807-735-2363
SALES@SC-RL.COM

THOMPSON

192 HAYES ROAD
THOMPSON, MANITOBA R8N 1M4

TELE : 204-778-7123
FAX : 204-778-6604
THOMPSONSALES@SLINGCHOKER.COM

THUNDER BAY

387 MOONEY AVE.
THUNDER BAY, ON P7B 5L5

TELE : 807-344-9159
FAX : 807-345-2140
SALES@SC-TBAY.COM